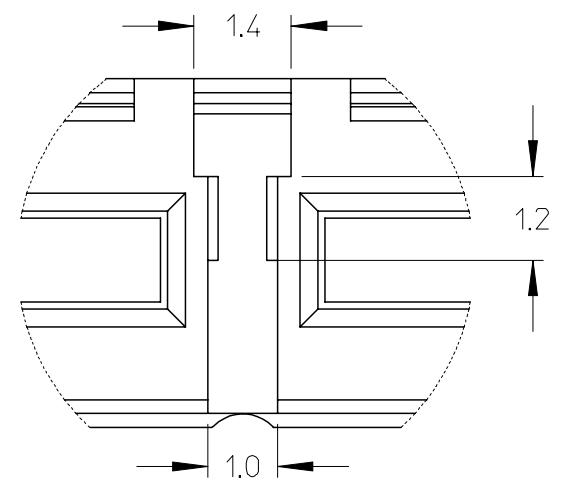
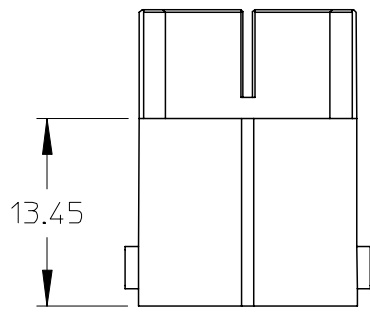
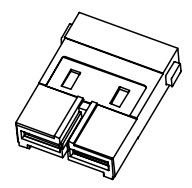
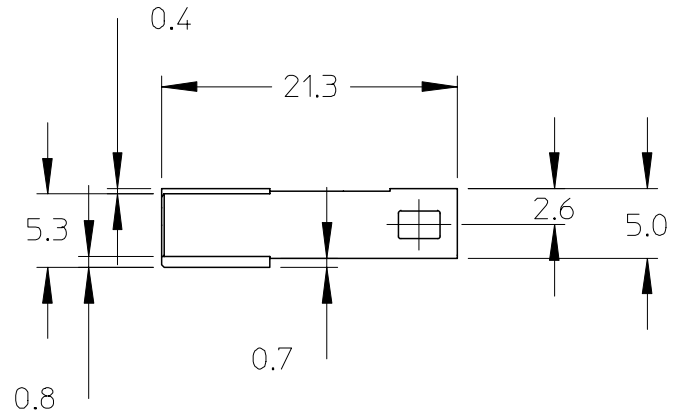
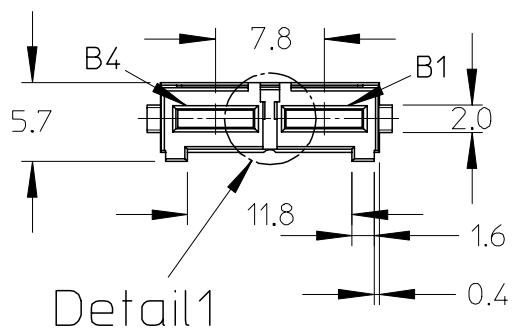


NOTES:
 1- MATERIAL HOUSING: LCP
 2- CAVITY MARK



Detail1
 SCALE 10:1



EC NO: MG2003-0550 DRWN: EROE ZDE 2004/01/08 CHKD: RSILLER 2004/01/08 APPR: TREMHOF 2004/01/08	QUALITY SYMBOLS ▽ = 0 ∇ = 0	GENERAL TOLERANCES (UNLESS SPECIFIED)		SCALE 2:1	DESIGN UNITS METRIC	THIRD ANGLE PROJECTION	REVISE ON CAD ONLY
			mm	INCH	DIMENSION STYLE MM ONLY		TITLE
1	DESCRIPTION	4 PLACES	± ---	± ---	DRAWN BY TREMHOF	DATE 2002/08/30	EMILY FEMALE HOUSING POWER 4-CAVITY MOLD
		3 PLACES	± ---	± ---	CHECKED BY HKONRAD	DATE 2003/01/21	
		2 PLACES	± 0.05	± ---	APPROVED BY KNOLLER	DATE 2003/01/21	MOLEX INCORPORATED
		1 PLACE	± 0.10	± ---	MATERIAL NO. 85354-0012	DOCUMENT NO. SD-85354-012	
DRAFT WHERE APPLICABLE MUST REMAIN WITHIN DIMENSIONS		THIS DRAWING CONTAINS INFORMATION THAT IS PROPRIETARY TO MOLEX INCORPORATED AND SHOULD NOT BE USED WITHOUT WRITTEN PERMISSION				A4	