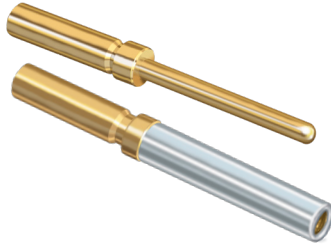


## Pin and Socket Contacts for Series 79 Connectors

### Crimp Contacts

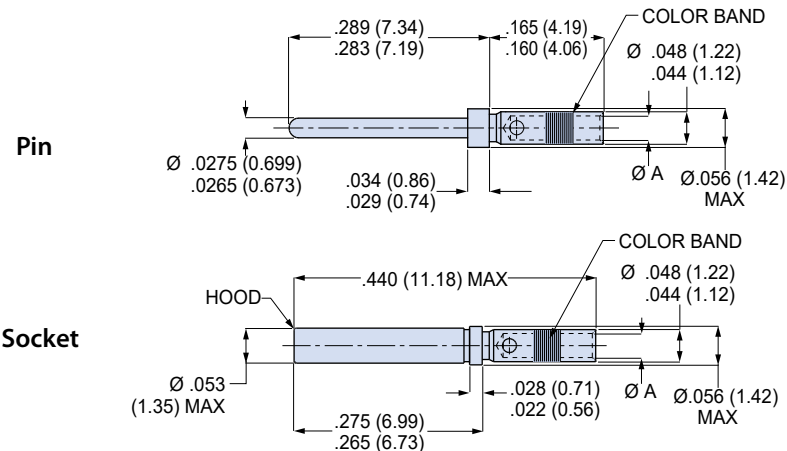
### Size 23 Crimp Contacts



Size 23 contacts are designed to meet SAE AS39029 requirements. These snap-in, rear release contacts are compatible with Series 790 and 791 connectors.

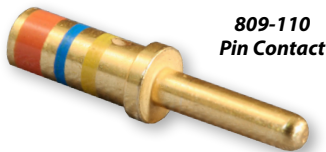
Technical Data	
Specifications	
■ Operating temperature: -65 to +150°C	
■ Current rating: 5A	
■ Crimp Tensile Strength	
Wire Size	Axial Load (lbs.)
22	12
24	8
26	5
28	3
30	1.5
■ Voltage Drop: 73 millivolts maximum, 5A, 25° C, 22 AWG wire	
Construction	
■ Contact body: copper alloy	
■ Socket hood: stainless steel, passivated	
■ Contact finish: 50 microinches minimum gold plating over nickel underplate	

Size #23 Crimp Contacts								
Contact Type	AWG Wire Size	Part Number	Ø A		Color Band	Crimp Tools		Insertion/Removal Tool
			In.	mm.		Crimper	Positioner	
Pin	22-28	<b>809-001</b>	.0335/ .0355	0.851/ 0.902	None	<b>809-015</b> (M22520/2-01)	<b>809-005</b> (K1461)	<b>809-088</b>
Pin	26-30	<b>809-042</b>	.0229/ .0245	0.582/ 0.632	Blue	<b>809-015</b> (M22520/2-01)	<b>809-057</b>	<b>809-088</b>
Socket	22-28	<b>809-002</b>	.0335/ .0355	0.851/ 0.902	None	<b>809-015</b> (M22520/2-01)	<b>809-005</b> (K1461)	<b>809-088</b>
Socket	26-30	<b>809-043</b>	.0229/ .0245	0.582/ 0.632	Blue	<b>809-015</b> (M22520/2-01)	<b>809-057</b>	<b>809-088</b>

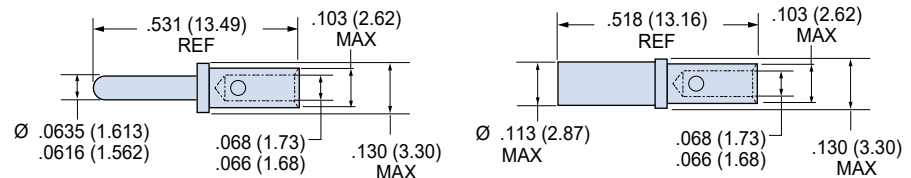
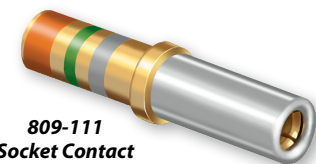


### Size 16 Power Contacts

Standard size #16 contacts accept #16 to #20 AWG wire. Approved to SAE-AMS-39029.



Size #16 Power Contacts					
Contact Type	AWG Wire Size	Part Number	Crimp Tools		Insertion/Removal Tool
			Crimper	Positioner	
Pin	16-20	<b>809-110</b> (M39029/58-364)	<b>809-136</b> (M22520/1-01)	<b>809-137</b> (M22520/1-04)	<b>809-131</b> (M81969/14-03)
Socket	16-20	<b>809-111</b> (M39029/57-358)	<b>809-136</b> (M22520/1-01)	<b>809-137</b> (M22520/1-04)	<b>809-131</b> (M81969/14-03)

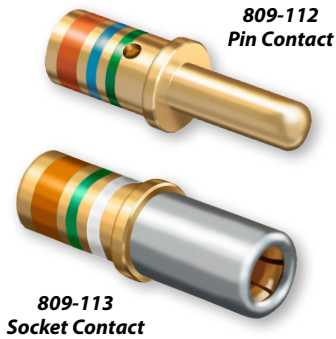


Technical Data	
Specifications	Construction
<ul style="list-style-type: none"> <li>■ Operating temperature: -65 to +200°C</li> <li>■ Current rating: 13 ampere</li> <li>■ Voltage Drop: 49 millivolts maximum@13A, 16 AWG wire</li> </ul>	<ul style="list-style-type: none"> <li>■ Contact body: copper alloy, 50 microinches gold over nickel plating</li> <li>■ Socket hood: stainless steel, passivated</li> </ul>

### Pin and Socket Contacts for Series 79 Connectors

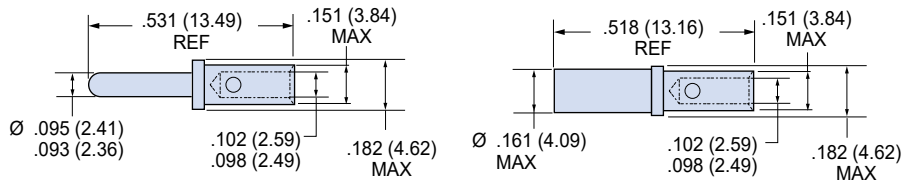
#### Crimp Contacts

#### Size 12 Power Contacts



Standard size #12 contacts accept #12 to #14 AWG wire. Approved to SAE-AMS-39029.

Size #12 Power Contacts					
Contact Type	AWG Wire Size	Part Number	Crimp Tools		Insertion/Removal Tool
			Crimper	Positioner	
Pin	12-14	<b>809-112</b> (M39029/58-365)	<b>809-136</b> (M22520/1-01)	<b>809-137</b> (M22520/1-04)	<b>809-132</b> (M81969/14-04)
Socket	12-14	<b>809-113</b> (M39029/57-359)	<b>809-136</b> (M22520/1-01)	<b>809-137</b> (M22520/1-04)	<b>809-132</b> (M81969/14-04)



Technical Data	
Specifications	Construction
<ul style="list-style-type: none"> <li>Operating temperature: -65 to +200°C</li> <li>Current rating: 23 ampere</li> <li>Voltage Drop: 42 millivolts maximum@20A</li> </ul>	<ul style="list-style-type: none"> <li>Contact body: copper alloy, 50 microinches gold over nickel plating</li> <li>Socket hood: stainless steel, passivated</li> </ul>

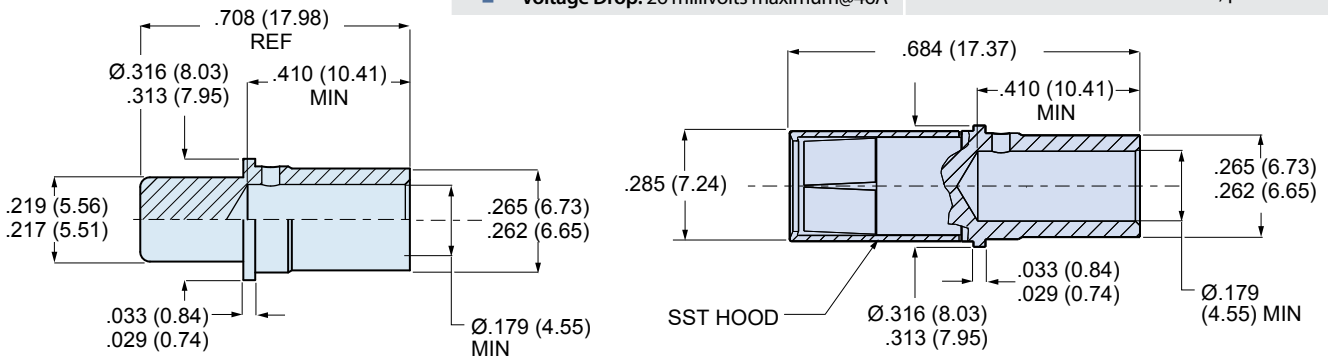
#### Size 8 Power Contacts



Size 8 contacts are designed to meet SAE AS39029 requirements. Snap in, rear release. Supplied with 859-042-03 sealing boot.

Size #8 Power Contacts						
Contact Type	AWG Wire Size	Part Number	Crimp Tools			Removal Tool
			Pneumatic Crimper	Die Assembly	Positioner	
Pin	8	<b>850-014F</b>	<b>859-025</b> (M22520/23-01)	<b>859-026</b> (M22520/23-02)	<b>859-046</b> (WA23-395L)	<b>859-049</b> (M81969/14-12)
Socket	8	<b>850-138F</b>	<b>859-025</b> (M22520/23-01)	<b>859-026</b> (M22520/23-02)	<b>859-046</b> (WA23-395L)	<b>859-049</b> (M81969/14-12)

Technical Data	
Specifications	Construction
<ul style="list-style-type: none"> <li>Operating temperature: -65 to +200°C</li> <li>Current rating: 46 ampere</li> <li>Voltage Drop: 26 millivolts maximum@46A</li> </ul>	<ul style="list-style-type: none"> <li>Contact body: copper alloy, 50 microinches gold over nickel plating</li> <li>Socket hood: stainless steel, passivated</li> </ul>



## Coaxial Contacts for Series 79 Connectors

### Size #12 AS39029 Coaxial Contacts

These snap-in, rear-release contacts Series 79 connectors with size #12 cavities. Crimp termination. SAE AS39029 qualified.

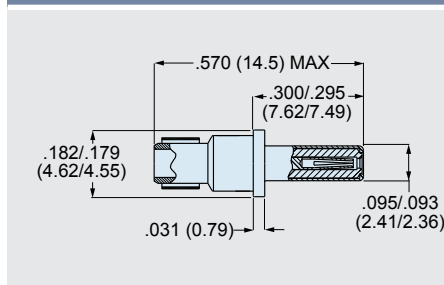


Technical Data	
Specifications	Construction
<ul style="list-style-type: none"> <li>Operating temperature: -65 to +200°C</li> <li>Dielectric withstanding voltage: 1000 Vac rms at sea level, 250 Vac at 50,000 feet</li> <li>Current rating: 1 ampere</li> <li>Durability: 500 mating cycles</li> </ul>	<ul style="list-style-type: none"> <li>Inner contact, body, outer sleeve: copper alloy, gold over nickel underplate per AS39029 Type D</li> <li>Socket contact hood: stainless steel</li> <li>Insulator: fluoroplastic</li> </ul>

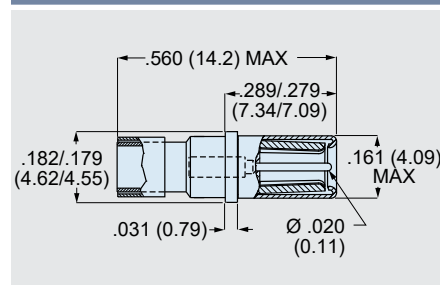
### Size #12 AS39029 Coaxial Contacts

RG Cable	Size	Freq.	Pin Contact	Socket Contact	Crimp Tools				Insertion/Removal Tool
					Inner Contact Crimper	Positioner	Shield Crimp Sleeve Crimper	Die Set	
RG174	12	700 MHz	<a href="#">852-002-12-211</a> (M39029/28-211)	<a href="#">852-001-12-210</a> (M39029/27-210)	<a href="#">809-015</a> (M22520/2-01)	<a href="#">809-135</a> (M22520/2-34)	<a href="#">809-133</a> (M22520/31-01)	<a href="#">809-134</a> (M22520/31-02)	<a href="#">809-132</a> (M81969/14-04)
RG179	12	200 MHz	<a href="#">852-002-12-211</a> (M39029/28-211)	<a href="#">852-001-12-210</a> (M39029/27-210)	<a href="#">809-015</a> (M22520/2-01)	<a href="#">809-135</a> (M22520/2-34)	<a href="#">809-133</a> (M22520/31-01)	<a href="#">809-134</a> (M22520/31-02)	<a href="#">809-132</a> (M81969/14-04)
RG180	12	700 MHz	<a href="#">852-002-12-409</a> (M39029/28-409)	<a href="#">852-001-12-402</a> (M39029/27-402)	<a href="#">809-015</a> (M22520/2-01)	<a href="#">809-135</a> (M22520/2-34)	<a href="#">809-133</a> (M22520/31-01)	<a href="#">809-134</a> (M22520/31-02)	<a href="#">809-132</a> (M81969/14-04)
RG316	12	700 MHz	<a href="#">852-002-12-211</a> (M39029/28-211)	<a href="#">852-001-12-210</a> (M39029/27-210)	<a href="#">809-015</a> (M22520/2-01)	<a href="#">809-135</a> (M22520/2-34)	<a href="#">809-133</a> (M22520/31-01)	<a href="#">809-134</a> (M22520/31-02)	<a href="#">809-132</a> (M81969/14-04)

#### Pin Contact 852-002



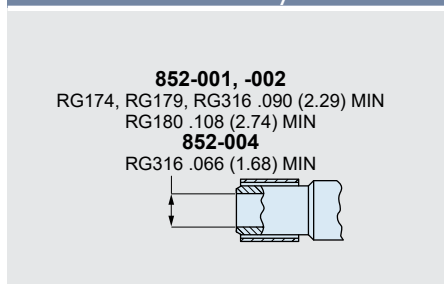
#### Socket Contact 852-001



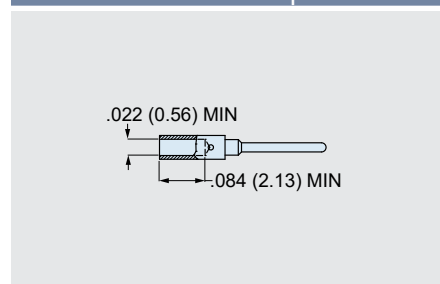
#### AS39029 Color Stripes

AS39029 Part No.	Color Bands		
	1st	2nd	3rd
M39029/27-210	RED	BROWN	BLACK
M39029/27-402	YELLOW	BLACK	RED
M39029/28-211	RED	BROWN	BROWN
M39029/28-409	YELLOW	BLACK	WHITE
M39029/102-558	GREEN	GREEN	GRAY

#### Cable Entry



#### Inner Contact Crimp Barrel



## Coaxial Contacts for Series 79 Connectors

### Size #16 AS39029 Coaxial Contacts

These snap-in, rear-release contacts fit Series 79 connectors with size #16 cavities. Crimp termination. SAE AS39029 qualified.

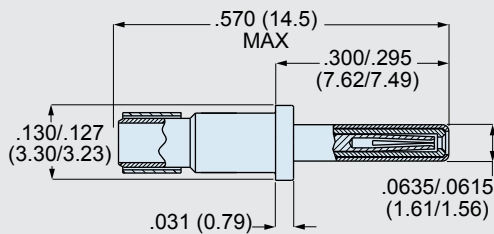


Technical Data	
Specifications	Construction
<ul style="list-style-type: none"> <li>Operating temperature: -65 to +200°C</li> <li>Dielectric withstanding voltage: 800 Vac rms at sea level, 250 Vac at 50,000 feet</li> <li>Current rating: 1 ampere</li> <li>Durability: 500 mating cycles</li> <li>VSWR: 1.50 max. @ 500 MHz</li> </ul>	<ul style="list-style-type: none"> <li><b>Inner contact, body, outer sleeve:</b> copper alloy, gold over nickel underplate per AS39029 Type D</li> <li><b>Socket contact hood:</b> stainless steel</li> <li><b>Insulator:</b> fluoroplastic</li> </ul>

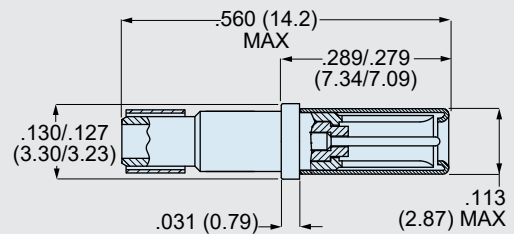
### Size #16 AS39029 Coaxial Contacts

RG Cable	Size	Max. Freq.	Pin Contact	Socket Contact	Crimp Tools				Insertion/Removal Tool
					Inner Contact Crimper	Positioner	Shield Crimp Sleeve Crimper	Die Set	
RG174 RG179 RG316	16	500 MHz	<b>852-008-16-424</b> (M39029/76-424)	<b>852-010-16-432</b> (M39029/78-432)	<b>809-015</b> (M22520/2-01)	<b>809-125</b> (M22520/2-35)	<b>809-127</b> (M22520/4-01)	<b>809-126</b> (M22520/4-02)	<b>809-131</b> (M81969/14-03)
RG178	16	500 MHz	<b>852-008-16-425</b> (M39029/76-425)	<b>852-010-16-433</b> (M39029/78-433)					

#### Pin Contact 852-008



#### Socket Contact 852-010

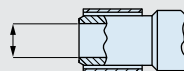


#### AS39029 Color Stripes

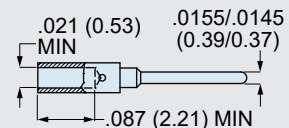
AS39029 Part No.	Color Bands		
	1st	2nd	3rd
M39029/76-424	YEL	RED	YEL
M39029/76-425	YEL	RED	GRN
M39029/78-432	YEL	ORN	RED
M39029/78-433	YEL	ORN	ORN

#### Cable Entry

RG174, RG179, RG316  
.067 (1.70) MIN  
RG178  
.0575 (1.46) MIN

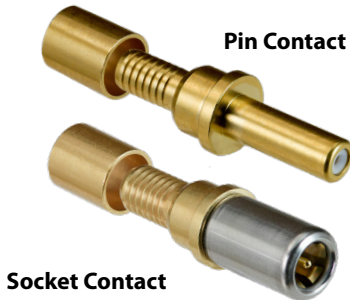


#### Inner Contact Crimp Barrel



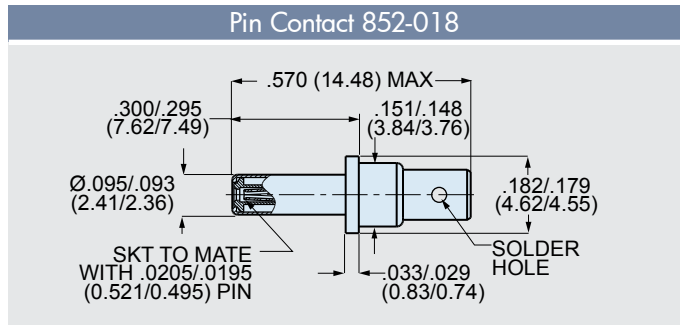
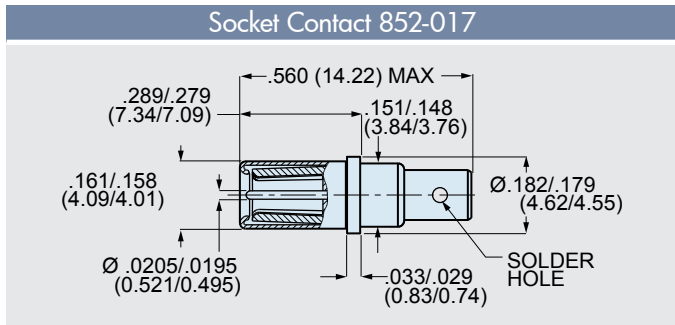
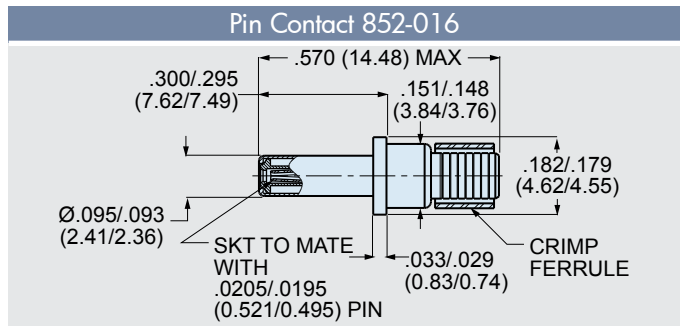
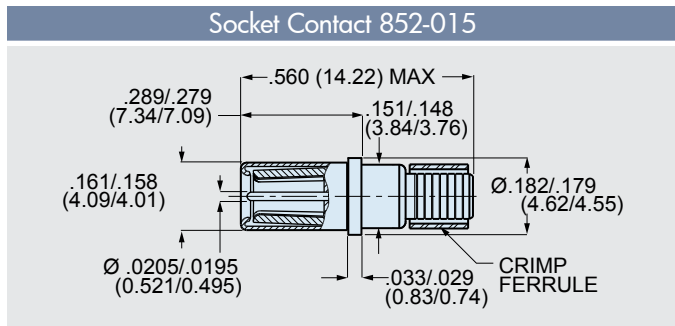
## Coaxial Contacts for Series 79 Connectors

### Size #12 50 Ohm High Frequency Matched-Impedance Coaxial Contacts



High Frequency coax contacts fit Glenair Series 79 connectors with size 12 contact cavities. 50 ohm nominal impedance. DC – 3 GHz frequency range. Contacts are snap-in, rear-release.

Size 12 50 Ohm High Frequency Matched-Impedance Coaxial Contacts			
RG Cable	Max. Freq.	Pin Contact	Socket Contact
RG178 (M17/93-RG178)	3 GHz	<a href="#">852-016-03</a>	<a href="#">852-015-03</a>
RG316 (M17/113-RG316)	3 GHz	<a href="#">852-016-01</a>	<a href="#">852-015-01</a>
RG316DS (M17/152-00001)	3 GHz	<a href="#">852-016-02</a>	<a href="#">852-015-02</a>
RG405-FLEX	3 GHz	<a href="#">852-018</a>	<a href="#">852-017</a>



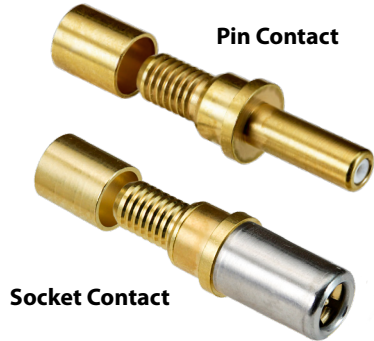
Technical Data	
Specifications	
■	Operating temperature: -65°C to +200°C
■	VSWR: 1.32:1 max. @ 3 GHz
■	Nominal impedance: 50 ohms
■	Insertion loss: 0.20 dB maximum at 3 GHz
■	Dielectric withstanding voltage: 1000 Vac rms at sea level
■	Current rating: 1 ampere
■	Durability: 500 mating cycles
■	Shock: EIA-364-27 condition D
■	Vibration: EIA-364-28 condition VI, letter J
Construction	
■	Center contact, body, crimp sleeve: copper alloy, 50 microinches gold over nickel plating
■	Insulator: fluoroplastic

Crimp Tools, Installation/Removal Tool					
Contact Part Number	Crimp Tools				Installation/Removal Tool
	Inner Crimper	Positioner	Shield Crimper	Hex Die	
852-015	<a href="#">809-128</a> (MH992)	<a href="#">859-006</a> (K1721)	<a href="#">809-129</a> (M22520/5-01)	<a href="#">809-130</a> (M22520/5-03)	<a href="#">809-132</a> (M81969/14-04)
852-016	<a href="#">809-128</a> (MH992)	<a href="#">859-006</a> (K1721)	<a href="#">809-129</a> (M22520/5-01)	<a href="#">809-130</a> (M22520/5-03)	<a href="#">809-132</a> (M81969/14-04)
852-017	(Solder termination)	(Solder termination)	(Solder termination)	(Solder termination)	<a href="#">809-132</a> (M81969/14-04)
852-018	(Solder termination)	(Solder termination)	(Solder termination)	(Solder termination)	<a href="#">809-132</a> (M81969/14-04)



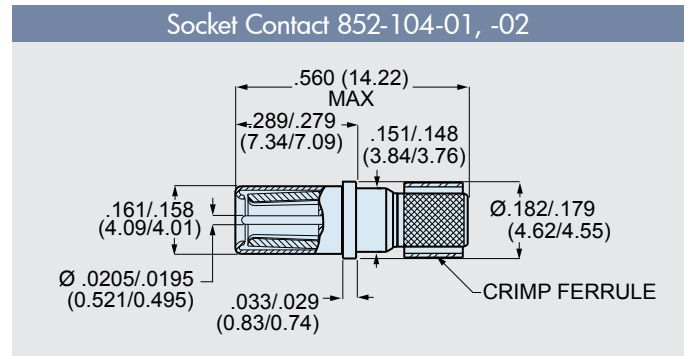
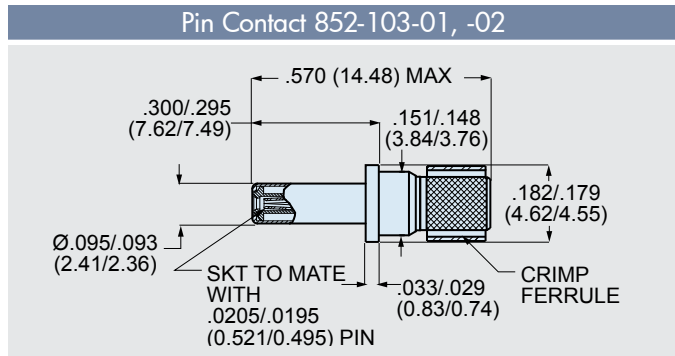
## Coaxial Contacts for Series 79 Connectors

### Size #12 75 Ohm High Frequency Matched-Impedance Coaxial Contacts



75 ohm coax contacts provide DC – 3 GHz frequency range. Crimp termination. Supplied as unassembled kit with contact body, center contact and outer ferrule. These snap-in, rear-release contacts fit Glenair Series 79 connectors. Gold-plated copper alloy, fluoroplastic insulator.

Size 12 75 Ohm High Frequency Matched-Impedance Coaxial Contacts		
RG Cable	Pin Contact	Socket Contact
<b>RG179</b> (M17/94-RG179)	<b>852-103-02</b>	<b>852-104-02</b>
<b>V75268, V76261, V73263</b> (PIC™ Wire and Cable)	<b>852-103-01</b>	<b>852-104-01</b>



Technical Data	
<b>Specifications</b>	
■	Operating temperature: -65 to +200°C
■	Dielectric withstanding voltage: 500 Vac
■	Current rating: 1 ampere
■	VSWR: 1.25:1 max. @ 3 GHz
■	Impedance: 75 ohm
■	Durability: 500 mating cycles
■	Shock: EIA-364-27 condition D
■	Vibration: EIA-364-28 condition VI, letter J
<b>Construction</b>	
■	Center contact, body, crimp sleeve: copper alloy, 50 microinches gold over nickel plating
■	Insulator: fluoroplastic
■	Hood: stainless steel, passivated

Crimp Tools, Installation/Removal Tool					
Contact Part Number	Crimp Tools				Insertion/Removal Tool
	Inner Contact		Shield Crimp Sleeve		
	Crimper	Positioner	Crimper	Positioner	
852-103-01	<b>809-128</b> (MH992)	<b>859-006</b> (K1721)	<b>809-133</b> (M22520/31-01)	<b>859-128</b> (GP959)	<b>809-132</b> (M81969/14-04)
852-103-02	<b>809-128</b> (MH992)	<b>859-006</b> (K1721)	<b>809-129</b> (M22520/5-01)	<b>809-130</b> (M22520/5-03)	<b>809-132</b> (M81969/14-04)
852-104-01	<b>809-128</b> (MH992)	<b>859-006</b> (K1721)	<b>809-133</b> (M22520/31-01)	<b>859-128</b> (GP959)	<b>809-132</b> (M81969/14-04)
852-104-02	<b>809-128</b> (MH992)	<b>859-006</b> (K1721)	<b>809-129</b> (M22520/5-01)	<b>809-130</b> (M22520/5-03)	<b>809-132</b> (M81969/14-04)

**Inner Contact Crimp Tools**

**809-128** (MH992)      **859-006** (K1721)

**Installation/Removal Tool**

**809-132**  
(M81969/14-04)

**Shield Crimp Tools**

**809-133** (M22520/31-01)      **859-128** (GP959)

**809-129** (M22520/5-01)      **809-130** (M22520/5-03)

## Coaxial Contacts for Series 79 Connectors

### Size #12 SMPM-Type Spring-Loaded Contacts for DC – 40 GHz



Male Contact

Female Contact

50 ohm high frequency size #12 coaxial contacts fit Glenair Series 79 connectors. Maximum operating frequency 40 GHz. Spring-loaded male contact assures consistent mating dimensions and superior performance. Supplied fully assembled with cable termination instruction sheet.

- DC – 40 GHz frequency range
- 50 ohm impedance
- Aerospace-grade construction
- SMPM-type Interface per MIL-DTL-348
- Spring-loaded interface
- Low insertion loss
- Solderless center contact
- VSWR 1.3 at 40 GHz

### Size 12 50 Ohm SMPM-Type Coaxial Contacts for DC – 40 GHz

Cable	Female Contact (Use in Pin Connectors)	Male Contact (Use in Socket Connectors)
RG-405 Flex (Times Microwave TFlex-405) Tensolite LLF-1087)	<b>852-025-01</b>	<b>852-032-01</b>

#### Technical Data

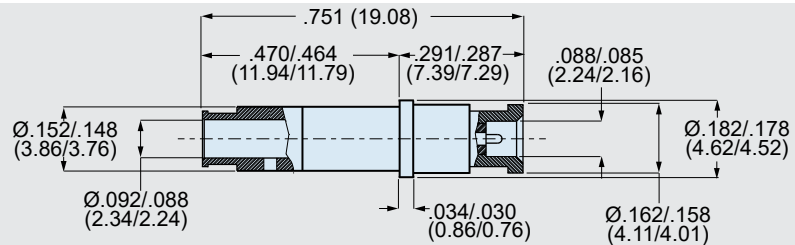
##### Specifications

- Operating temperature: -55°C to +125°C
- Dielectric withstanding voltage: 500 Vac
- Ins. resistance: 5000 megohms min.
- Frequency range: DC – 40 GHz
- VSWR: 1.10 + (.005 x Freq GHz)
- Impedance: 50 ohm
- Insertion loss: .04 x √(Freq in GHz)
- RF leakage: -(90 – Freq GHz)
- Durability: 500 mating cycles

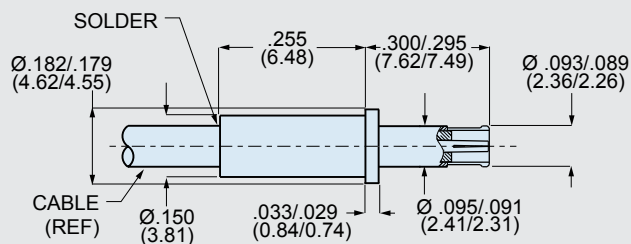
##### Construction

- Center contact: copper alloy, 50 microinches gold over nickel plating
- Dielectric: PTFE per ASTM D-1710
- Female body: copper alloy, 50 microinches gold over nickel plating
- Male body: stainless steel, passivated
- Male contact spring: high carbon steel (music wire), nickel plated

#### Male Contact 852-032-01

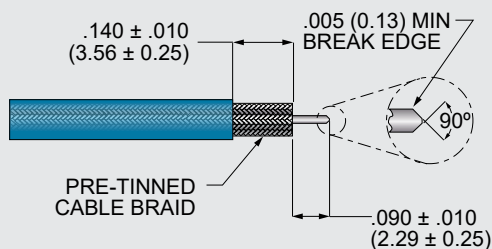


#### Female Contact 852-025-01



#### Cable Prep Dimensions for 852-025

Slide prepped cable into contact, then solder cable braid to contact body. See Assembly Instruction Sheet AI85009 for complete termination instructions.



#### Cable Prep Dimensions for 852-032

Slide prepped cable into contact, then solder cable braid to contact body. See Assembly Instruction Sheet AI85010 for complete termination instructions.

