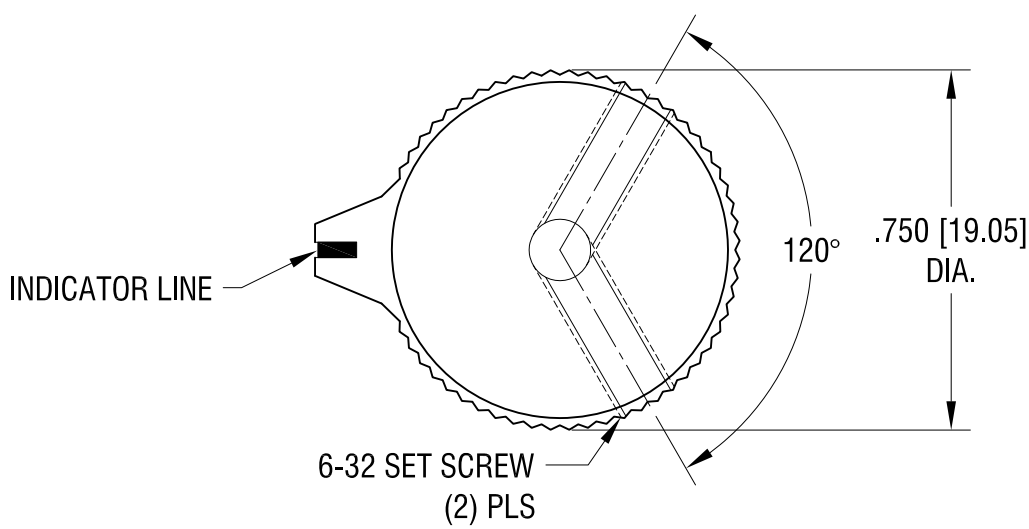
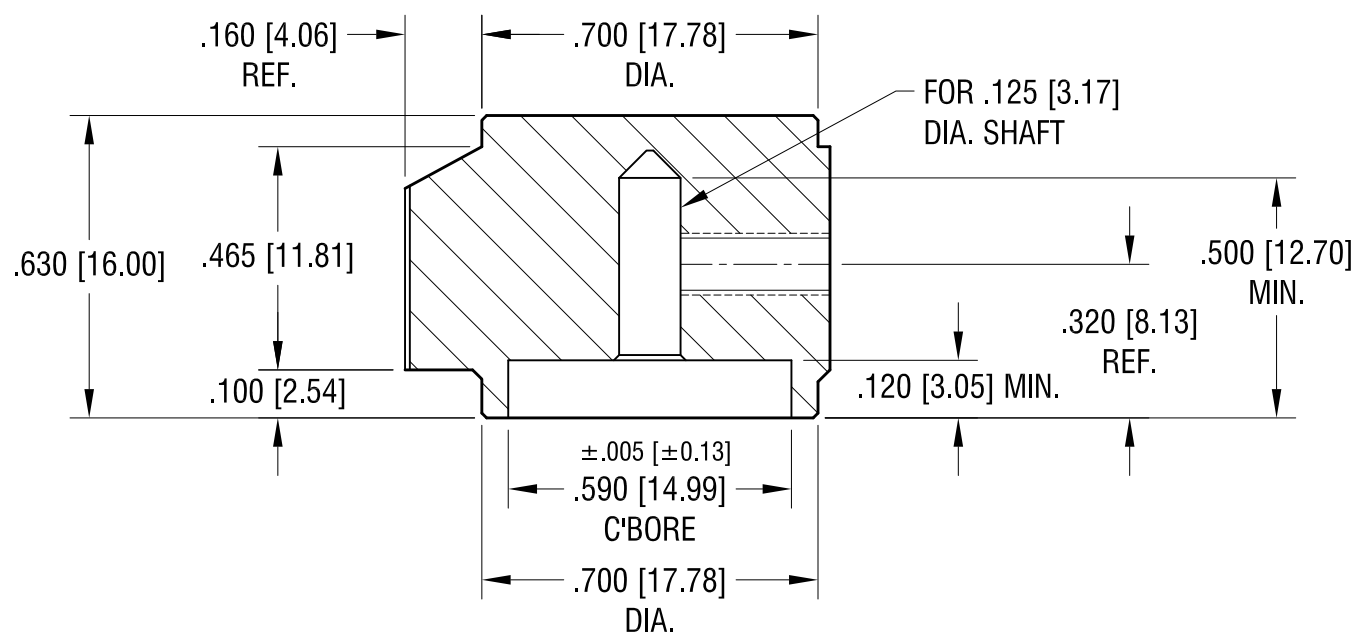
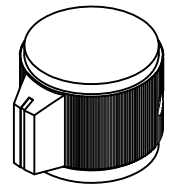


THIS DOCUMENT IS THE PROPERTY OF KEYSTONE ELECTRONICS CORP. AND SHALL NOT BE REPRODUCED, DISTRIBUTED OR USED AS A BASIS FOR MANUFACTURE WITHOUT PRIOR WRITTEN PERMISSION FROM KEYSTONE ELECTRONICS CORP.



ACTUAL SIZE



- NOTES:
1. KNOB: MAT'L: ALUMINUM  
FINISH: SEE CHART
  2. INDICATOR PAINT LINE ON  
TOP & SIDE OF KNOB,  
SEE CHART FOR COLOR.

PART NUMBER	LINE COLOR (TOP & SIDE)	FINISH DESCRIPTION
8544	BLACK	CLEAR ANODIZED
8545	WHITE	BLACK ANODIZED

**KEYSTONE ELECTRONICS CORP.**  
 www.keyelco.com • NEW HYDE PARK, NY 11040 • Tel (516) 328-7500

PART NAME: **KNOB**

MATERIAL: **AS NOTED**

FINISH: <b>AS NOTED</b>	DRN BY: <b>BOONE</b>	DATE: <b>1.02.07</b>
	APP'D: <b>LN</b>	SCALE: <b>2.5X</b>

TOLERANCES INCH [MM]  
 DECIMAL ±.015 [±0.38]  
 ANGULAR ± 1°  
 UNLESS OTHERWISE SPECIFIED

CODE: **C**

DWG NO.: **8544-8545**

DATE	DESCRIPTION	REV.