

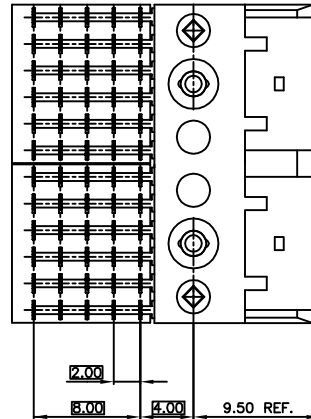
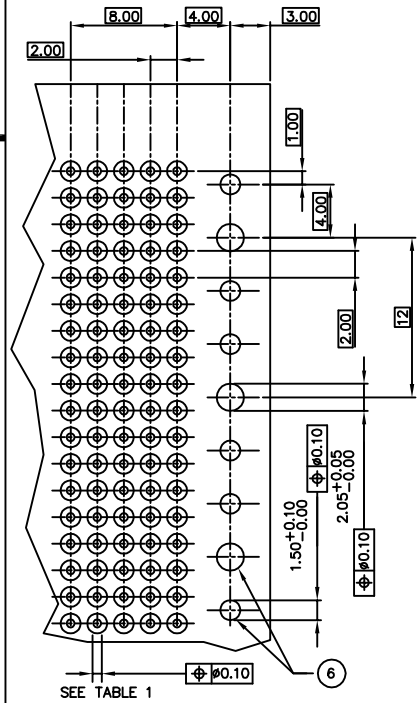
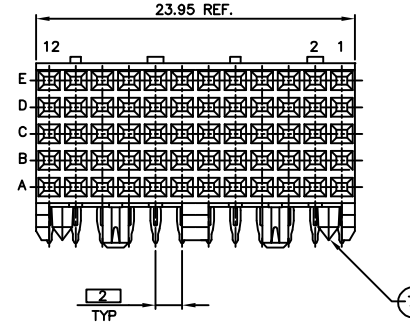
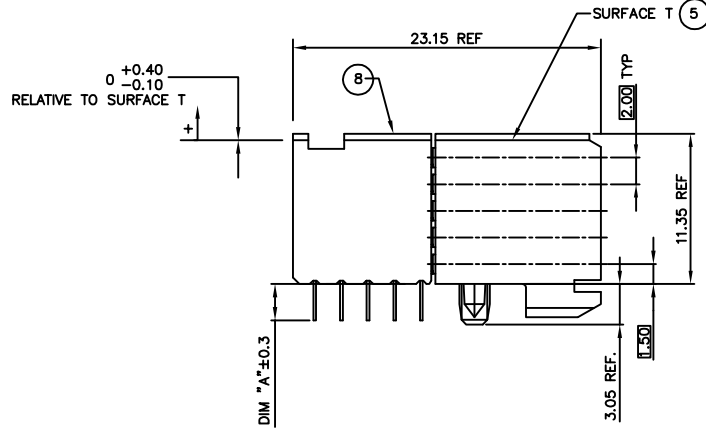
Tous droits strictement reserves. Reproduction ou communication a des tiers interdite sous quelques forme que ce soit sans autorisation écrite du propriétaire. Propriete de c FCI. Droits de reproduction FCI.



All rights strictly reserved. Reproduction or issue to third parties in any form whatever is not permitted without written authority from the proprietor. Property of FCI. Copyright FCI.

PRODUCT NUMBER
85719-XXX
85719-XXYLF

PLATING CONTACT AREA:	
DASH NR:	PERFORMANCE LEVEL
-1YY/1YYLF	TELCORDIA CO
-2YY/2YYLF	CUSTOMER SPECIAL
-3YY/3YYLF	CUSTOMER SPECIAL



NOTES:

- CONNECTOR MATERIALS:
HOUSING: LCP, 30% GLASS FILLED,
TERMINAL: PHOSPHOR BRONZE ALLOY
UL 94-V0 COMPLIANT
- PLATING ON PRESS-FIT TAIL:
85719-XXX IS 0.5-1.5um SnPb
85719-XXYLF IS 0.5-1.5um Sn (LEAD FREE)
- PRODUCT SPECIFICATION:
GS-12-002
- APPLICATION SPECIFICATIONS:
BUS-20-061
GS-20-001
TA-941
- PRODUCT MARKING: (PART NUMBER & LOT CODE).
- INDICATED HOLES ARE UNPLATED.
- DIAMOND LOCATION PEG ARE ONLY EXISTED ON THE BOTH SIDES OF PRODUCT.
- TOP SURFACE OF PRESS BLOCK MAY EXTEND UP TO 0.4MM HIGHER THAN HOUSING. THIS MAY AFFECT THE TAIL LENGTH BEFORE APPLICATION TO A BOARD.
- VIA-HOLES MAY BE OMITTED ON CONTACT POSITIONS "NOT LOADED".
- THE PRODUCTS WHERE THE PART NUMBER ENDS IN 'LF' MEETS THE EUROPEAN UNION DIRECTIVES AND OTHER COUNTRY REGULATIONS AS DESCRIBED IN GS-22-008.
- ALL PRODUCTS WILL WITHSTAND EXPOSURE TO 240° FOR 60 SECONDS IN A CONVECTION, INFRA-RED OR VAPOR PHASE REFLOW OVEN.

HOLE DIAMETER AFTER PLATING	0.65-0.80
DRILLED HOLE	0.81-0.86 (0.85 DRILL)
COPPER PLATING	0.025 - 0.05
SnPb PLATING	0.005-0.015

mat'l. code		tolerances unless otherwise specified		CUSTOMER COPY		 www.fciconnect.com	
SEE NOTE 1				projection		title	
ltr	ecn no	dr	date	linear	 MM	B SERIES R/A RECEPT ASSY.	
AA	DG07-0169	Cenh	05/15/07			5 ROW, 2 MOD, SL, PF	
AB	DG08-0171	TER	9/3/08	angles	 1:1	product family	code
AC	DG09-0068	Cenh	06/06/09			METRAL	213
W	V04-0327	DAI	4/6/04	dr	size		sheet
X	V05-0032	TAB	1/20/05	enrg	dwg no		1 of 2
Y	V05-1013	JRV	11/2/05	chr	85719		
		appd		M. GRAY			
sheet	revision	AC	AC				
index	sheet	1	2				

RECOMMENDED PC BOARD LAYOUT, COMPONENT SIDE. SEE NOTE 9

cage code
22526

ACAD

PDM: Rev:AC

STATUS: Released

Printed: May 16, 2011

Tous droits strictement réservés. Reproduction ou communication a des tiers interdite sous quelque forme que ce soit sans autorisation écrite du propriétaire. Propriete de c FCI. Droits de reproduction FCI.



All rights strictly reserved. Reproduction or issue to third parties in any form whatever is not permitted without written authority from the proprietor. Property of FCI. Copyright FCI.

PRODUCT NUMBER	ROW	CONFIGURATION										DIM A	
		12	11	10	9	8	7	6	5	4	3		2
85719-X01	E	-	-	-	-	-	X	X	X	X	X	X	2.90
	D	-	-	-	-	-	X	X	X	X	X	X	
	C	X	X	X	X	X	X	X	X	X	X	X	
85719-X01LF	B	-	-	-	-	-	X	X	X	X	X	X	
	A	-	-	-	-	-	X	X	X	X	X	X	

PRODUCT NUMBER	ROW	CONFIGURATION										DIM A		
		12	11	10	9	8	7	6	5	4	3		2	1
85719-X07	E	-	X	-	X	-	X	-	X	-	X	-	X	2.90
	D	X	-	X	-	X	-	X	-	X	-	X		
	C	-	X	-	X	-	X	-	X	-	X	-	X	
85719-X07LF	B	X	-	X	-	X	-	X	-	X	-	X		
	A	-	X	-	X	-	X	-	X	-	X	-	X	

PRODUCT NUMBER	ROW	CONFIGURATION										DIM A		
		12	11	10	9	8	7	6	5	4	3		2	1
85719-X13	E	-	X	-	X	-	X	-	X	-	X	-	X	3.53
	D	-	-	X	-	-	X	-	-	X	-	-	X	
	C	-	X	-	X	-	X	-	X	-	X	-	X	
85719-X13LF	B	X	-	X	-	X	-	X	-	X	-	X		
	A	-	X	-	X	-	X	-	X	-	X	-	X	

PRODUCT NUMBER	ROW	CONFIGURATION										DIM A		
		12	11	10	9	8	7	6	5	4	3		2	1
85719-X02	E	X	-	X	X	X	X	X	-	X	X	X	X	2.90
	D	-	-	X	X	X	X	-	X	X	X	X		
	C	X	X	X	X	X	X	X	X	X	X	X	X	
85719-X02LF	B	X	X	-	X	X	X	X	-	X	X	X		
	A	X	X	-	X	X	X	X	-	X	X	X		

PRODUCT NUMBER	ROW	CONFIGURATION										DIM A			
		12	11	10	9	8	7	6	5	4	3		2	1	
85719-X08	E	X	X	X	X	X	X	X	-	X	-	X	-	X	3.53
	D	X	X	X	X	X	X	-	-	-	-	-	-		
	C	X	X	X	X	X	X	X	-	X	-	X	-	X	
85719-X08LF	B	X	X	X	X	X	X	-	-	-	-	-	-		
	A	X	X	X	X	X	X	-	X	-	X	-	X		

PRODUCT NUMBER	ROW	CONFIGURATION										DIM A			
		12	11	10	9	8	7	6	5	4	3		2	1	
85719-X03 OBSOLETE SAME AS 85719-X07	E	-	X	-	X	-	X	-	X	-	X	-	X	2.73	
	D	X	-	X	-	X	-	X	-	X	-	X			
	C	-	X	-	X	-	X	-	X	-	X	-	X		
	B	X	-	X	-	X	-	X	-	X	-	X	-		X
	A	-	X	-	X	-	X	-	X	-	X	-	X		

PRODUCT NUMBER	ROW	CONFIGURATION										DIM A		
		12	11	10	9	8	7	6	5	4	3		2	1
85719-X09	E	-	X	-	X	-	X	-	X	-	X	-	X	3.53
	D	X	-	X	-	X	-	X	-	X	-	X		
	C	-	X	-	X	-	X	-	X	-	X	-	X	
85719-X09LF	B	X	-	X	-	X	-	X	-	X	-	X		
	A	-	X	-	X	-	X	-	X	-	X	-	X	

PRODUCT NUMBER	ROW	CONFIGURATION										DIM A		
		12	11	10	9	8	7	6	5	4	3		2	1
85719-X04	E	-	-	-	-	-	-	-	-	-	-	-	-	2.90
	D	X	X	X	X	X	X	X	X	X	X	X	X	
	C	X	X	X	X	X	X	X	X	X	X	X	X	
85719-X04LF	B	X	X	X	X	X	X	X	X	X	X	X	X	
	A	X	X	X	X	X	X	X	X	X	X	X	X	

PRODUCT NUMBER	ROW	CONFIGURATION										DIM A			
		12	11	10	9	8	7	6	5	4	3		2	1	
85719-X10	E	X	-	X	-	X	-	X	-	X	-	X	-	X	3.53
	D	-	X	-	X	-	X	-	X	-	X	-	X		
	C	X	-	X	-	X	-	X	-	X	-	X	-	X	
85719-X10LF	B	-	X	-	X	-	X	-	X	-	X	-	X		
	A	X	-	X	-	X	-	X	-	X	-	X	-	X	

PRODUCT NUMBER	ROW	CONFIGURATION										DIM A			
		12	11	10	9	8	7	6	5	4	3		2	1	
85719-X05	E	X	X	-	X	X	-	X	X	-	X	X	-	X	2.90
	D	X	X	-	X	X	-	X	X	-	X	X	-	X	
	C	X	X	-	X	X	-	X	X	-	X	X	-	X	
85719-X05LF	B	X	X	-	X	X	-	X	X	-	X	X	-	X	
	A	X	X	-	X	X	-	X	X	-	X	X	-	X	

PRODUCT NUMBER	ROW	CONFIGURATION										DIM A		
		12	11	10	9	8	7	6	5	4	3		2	1
85719-X11	E	-	X	X	-	X	X	-	X	X	-	X	X	2.90
	D	-	X	X	-	X	X	-	X	X	-	X	X	
	C	-	X	X	-	X	X	-	X	X	-	X	X	
85719-X11LF	B	-	X	X	-	X	X	-	X	X	-	X	X	
	A	-	X	X	-	X	X	-	X	X	-	X	X	

PRODUCT NUMBER	ROW	CONFIGURATION										DIM A		
		12	11	10	9	8	7	6	5	4	3		2	1
85719-X06	E	X	X	X	X	X	X	-	X	-	X	-	X	2.90
	D	X	X	X	X	X	X	-	-	-	-	-	-	
	C	X	X	X	X	X	X	-	X	-	X	-	X	
85719-X06LF	B	X	X	X	X	X	X	-	-	-	-	-	-	
	A	X	X	X	X	X	X	-	X	-	X	-	X	

PRODUCT NUMBER	ROW	CONFIGURATION										DIM A		
		12	11	10	9	8	7	6	5	4	3		2	1
85719-X12	E	-	X	-	X	-	X	-	X	-	X	-	X	2.90
	D	-	-	X	-	-	X	-	-	X	-	-	X	
	C	-	X	-	X	-	X	-	X	-	X	-	X	
85719-X12LF	B	X	-	X	-	X	-	X	-	X	-	X		
	A	-	X	-	X	-	X	-	X	-	X	-	X	

"-" POSITION NOT LOADED
"X" POSITION LOADED

mat'l. code SEE NOTE 1				tolerances unless otherwise specified				CUSTOMER COPY		 www.fciconnect.com	
ltr	ecn no	dr	date	linear				projection		title	
AC								 MM		B SERIES R/A RECEPT ASSY. 5 ROW, 2 MOD, SL, PF	
				angles				scale		product family METRAL	
				dr				1:1		code 213	
				enr						size	
				chr						85719	
				appd						sheet 2 of -	
sheet index		revision sheet									