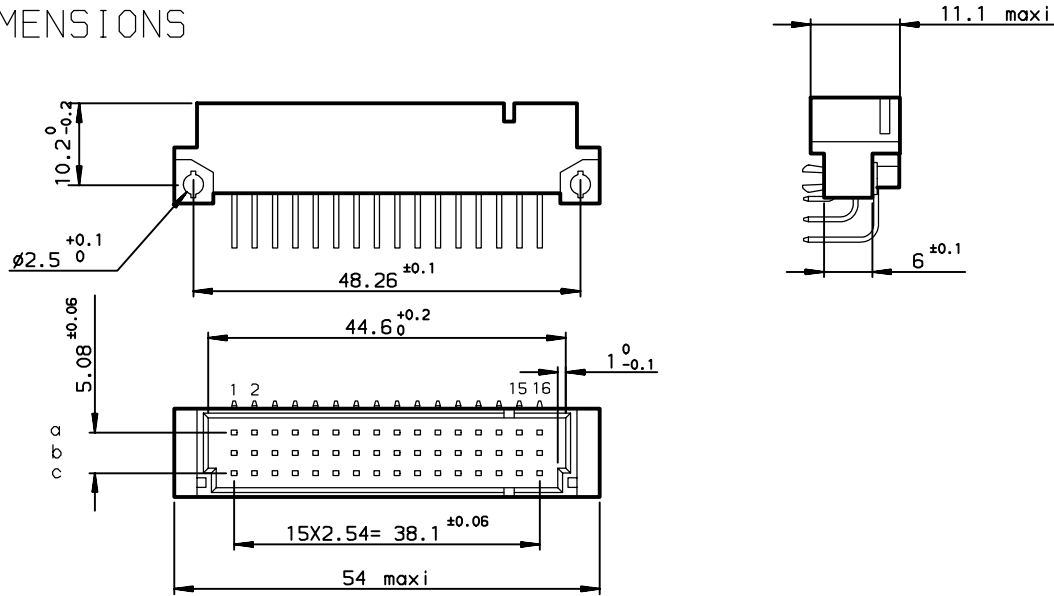


DIMENSIONS



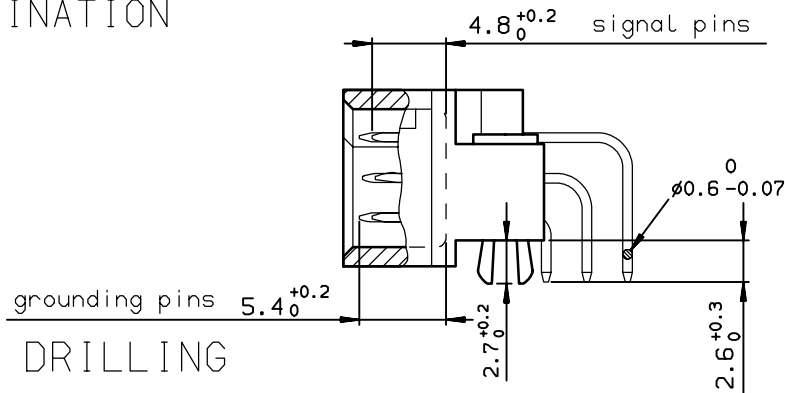
TIN LEAD PART NUMBER

PART NUMBER
86093487313H55801E1

LEAD FREE PART NUMBER

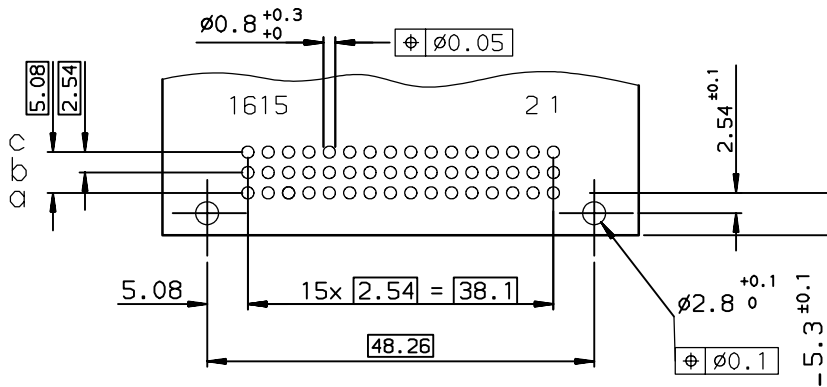
PART NUMBER
86093487313H55BWLf

TERMINATION



SPECIFICATION 801 = Grounding pins in position : a9-a11-a12-a13-b1-b2-b4
or SPECIFICATION BW = Signal pins : other cavity
b13-c1-c2-c3-c13

PCB DRILLING
component side



GENERAL CHARACTERISTICS AND ROHS INFORMATIONS:

SEE DRAWING C-8609-0000A

European Views

www.fciconnect.com		surface ISO 1302 ✓	tolerance std ISO 406 ISO 1101	projection mm	size A3	Scale 1.5
TOLERANCES UNLESS OTHERWISE SPECIFIED						
Dr	TARON	1999/07/28	0.X	±0.1	ECN	LS06-0095
Eng	TARON	1999/07/28	0.XX	±0.1	Spec ref	-
Chr	LEGARE	1999/07/28	0.XX' ±2'	0.XXX	Product family	DIN 8609
Appr	LEGARE	1999/07/28	Product family		DIN 8609	
FCI		STANDARD MALE 3 ROW C/2		48 CONTACTS		Rev. C
catalog no		-		C-8609-0769		sheet 1 of 1

rev	ecn no	dr	date
A	-	-	1999/07/28
B	LS05-001	JTA	2005/03/01
C	LS06-0095	LGO	2006/06/24
-	-	-	-
-	-	-	-
-	-	-	-