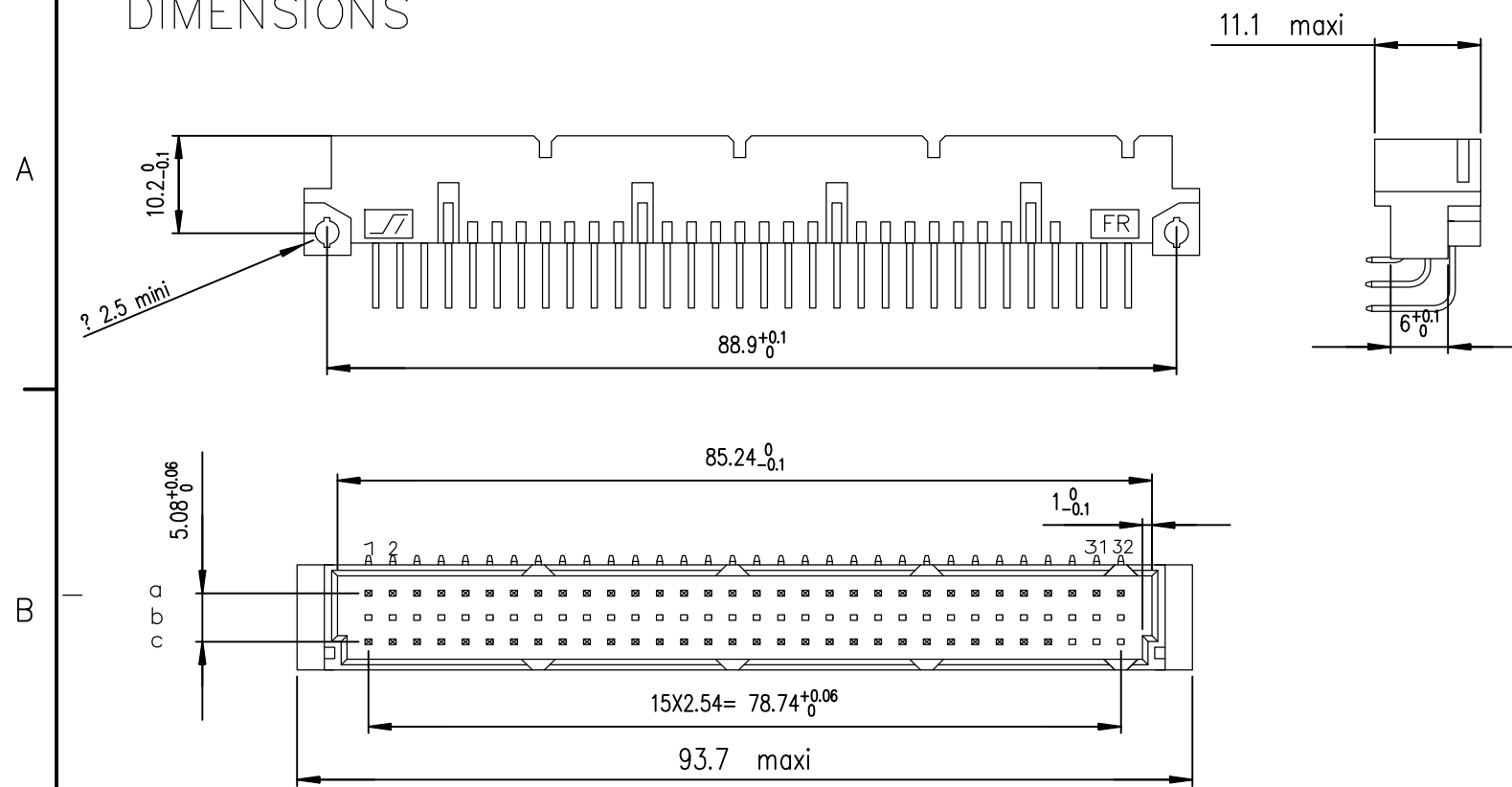


DIMENSIONS



TIN LEAD PART NUMBER

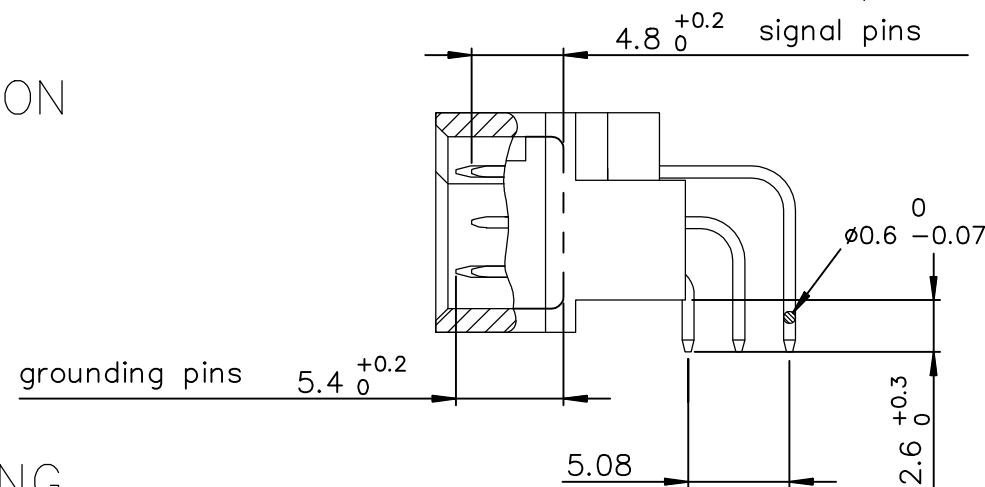
PART NUMBER
86093967113755121E1
86093967113765121E1

LEAD FREE PART NUMBER

PART NUMBER
86093967113755AGLF
86093967113765AGLF

PERFORMANCE CLASS
DIN 41612 CLASS 2 -----5
DIN 41612 CLASS 1 -----6

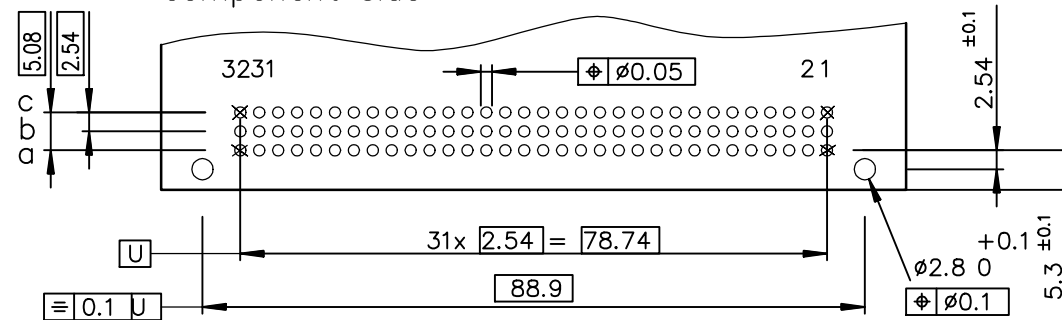
TERMINATION



SPECIFICATION 121 or AGLF = Grounding pins in position : A1 / A32  
C1 / C32

GENERAL CHARACTERISTICS AND ROHS INFORMATIONS:  
SEE DRAWING C-8609-0000A

PCB DRILLING  
component side



rev	ecn no	dr	date
A	-	-	1991/11/18
B	LS07-0073	HLE	2007/03/07
C	I11-0169	MJA	2011/10/11
-	-	-	-
-	-	-	-
-	-	-	-

www.fciconnect.com		surface ISO 1302 ✓	tolerance std ISO 406 ISO 1101	projection mm
TOLERANCES UNLESS OTHERWISE SPECIFIED				size A3
Dr	ROUILLARD	1991/11/18	0.X	±0.1
Eng	ROUILLARD	1991/11/18	0.XX	±0.1
Chr	M JACOB	2011/10/11	0.XXX	±0.1
Appr	BIJU K PAUL	2011/10/11	Product family	DIN STD
title STANDARD MALE 3 ROW 96 CONTACTS				dwg no C-8609-0221
catalog no See table				Rev. C
CUSTOMER				sheet 1 of 1

Copyright FCI.