



FCIconnect.com

Copyright FCI



1

2

3

4

5

6

	1	2	3	4	5	6	7	8	9	10	11	12	13	14	15	16	17	18	19	20	21	22	23	24	25	26	27	28	29	30	31	32	
A	✓	X	✓	X	X	X	X	X	X	X	X	X	X	X	X	X	X	X	X	X	X	X	X	X	X	X	X	X	X	X	X	X	✓
B	X	X	X	X	X	X	X	X	X	X	X	X	X	X	X	X	X	X	X	X	X	X	X	X	X	X	X	X	X	X	X	X	X
C	X	X	X	X	X	X	X	X	X	X	X	X	X	X	X	X	X	X	X	X	X	X	X	X	X	X	X	X	X	X	X	X	X

X	Standard Contact	✓	FMLB Contact	*	LMEB Contact		Empty Cavity
---	------------------	---	--------------	---	--------------	--	--------------

TECHNICAL SPECIFICATION

HOUSING MATERIAL : THERMOPLASTIC POLYESTER UL94V0; GREY  
 HOUSING CAN WITHSTAND EXPOSURE TO LEAD FREE WAVE SOLDERING TEMPERATURE OF 260-265°C  
 WHEN USED WITH PROTECTIVE ADHESIVE OR PROTECTIVE METALLIC DEVICE FOR ANGLE CONNECTORS  
 AS IT IS USED IN CLASSICAL LEAD WAVE SOLDERING AT 235-250°C.  
 CONTACT & HARPOON MATERIAL : COPPER ALLOY  
 CONTACT ACTIVE ZONE PLATING : Au OVER Ni (or) Au-Pd-Ni OVER Ni  
 CONTACT TERMINATION ZONE PLATING : Sn (PURE MATT) OVER Ni  
 HARPOON PLATING : Sn (PURE MATT) OVER Ni

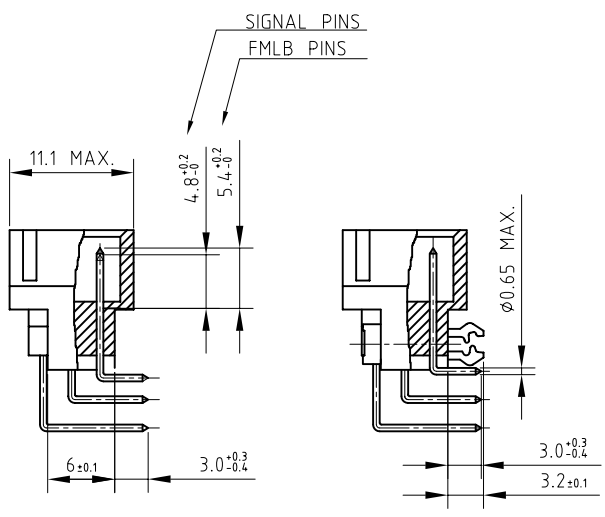
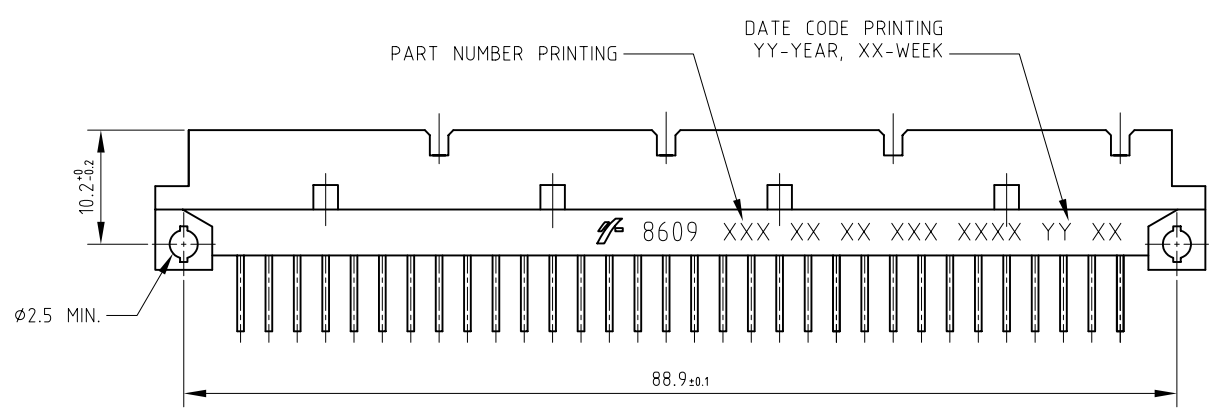
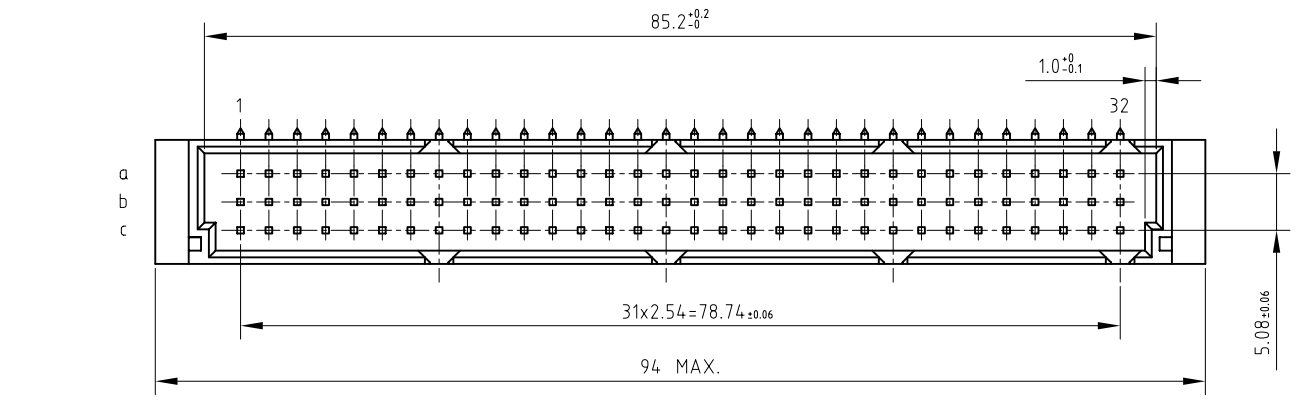
ELECTRICAL DATA

CURRENT RATING AT 20°C : 1.5 A  
 CURRENT (I MAX) : 2 A  
 TEMPERATURE RANGE : -55°C TO +125°C  
 CONTACT RESISTANCE : ≤ 20 mΩ  
 INSULATION RESISTANCE : ≥ 10<sup>10</sup> MΩ  
 TEST VOLTAGE (rms) : 1000 V

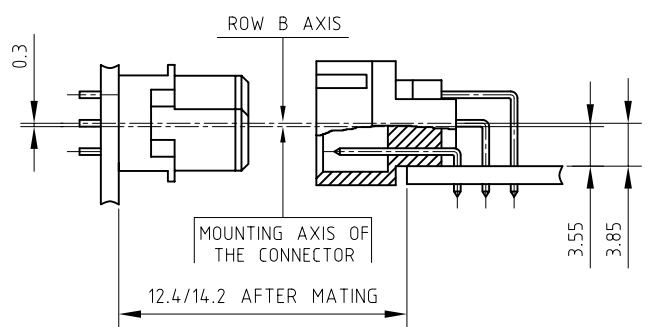
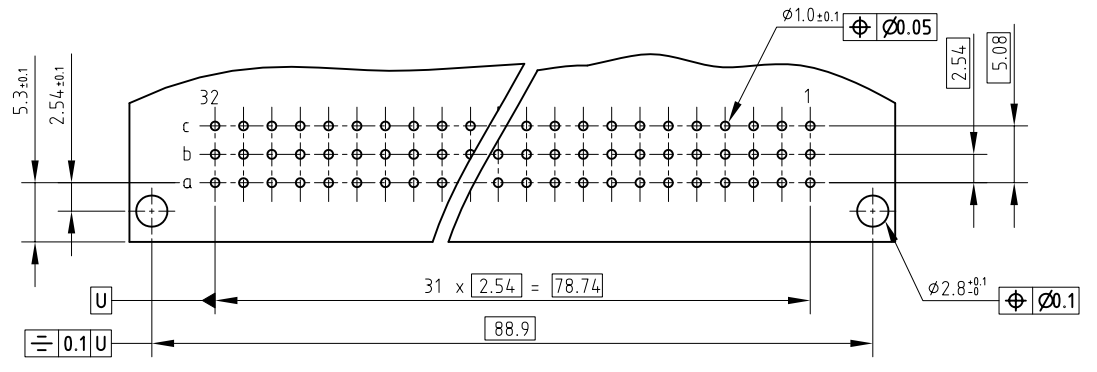
MECHANICAL DATA

INSERTION FORCE PER CONTACT : ≤ 0.94 N  
 EXTRACTION FORCE PER CONTACT : ≥ 0.15 N  
 REFERENCE SPECIFICATION : DIN 41612 (or) IEC 603-2

SERIES	8609	3	96	7	1	13	7	5	5	STLF
ROWS FITTED WITH CONTACTS										
ROW a b c	3 96									
NO. OF CONTACTS	7									
TYPE OF INSULATOR	7									
3 ROW MALE INSULATOR	1									
METHOD OF MOUNTING	13									
STANDARD MOUNTING - STYLE C	7									
TERMINATION	13									
ANGLED SPILL	7									
OPTIONS	H									
NO OPTION	7									
WITH HARPOONS	H									
PERFORMANCE CLASS	4									
DIN 41612 CLASS 3	5									
DIN 41612 CLASS 2	6									
DIN 41612 CLASS 1	8									
AS PER MIL C 55302 / JSS 50808	5									
PITCH PER ROW	2.54 mm									
SPECIAL CODE: SPECIAL LOADING LEAD FREE VERSION	STLF									



PCB DRILLING DETAILS



- NOTES:
1. THE "LF" PRODUCTS MEET EUROPEAN UNION DIRECTIVES AND OTHER COUNTRY REGULATIONS AS DESCRIBED IN GS-22-008.
  2. THE HOUSING WILL WITHSTAND EXPOSURE TO 260°C PEAK TEMPERATURE FOR 3.5 SECONDS IN A WAVE SOLDER APPLICATION WITH A 1.6 MM MINIMUM THICK CIRCUIT BOARD.
  3. LEAD FREE OR RoHS DIRECTIVE LABELING TO BE PROVIDED AS PER GS-14-920 FOR LEAD FREE VERSION.

mat'l. code	surface	tolerance	projection	product family
SEE TECH. SPEC.	ISO 1302 ✓	ISO 406 ISO 1101		8609
ltr	ecn no	dr	date	title
A	H10-0157	SAL	2010-08-05	DIN STANDARD HEADER ANGLED SPILL DIN 41612 STYLE-C
				angles
				linear
				0°±1°
				mm
				scale 3:2
				dr
				engr
				chr
				appd
				JOHN SLEEBA 2009-01-23
				JOHN SLEEBA 2009-01-23
				KESAVAN R 2009-01-23
				KESAVAN R 2009-01-23
sheet	revision	A		FCI
index	sheet	1		dwg no
				sheet 1 of 1
				size
				A3
				type
				Product Customer Drawing