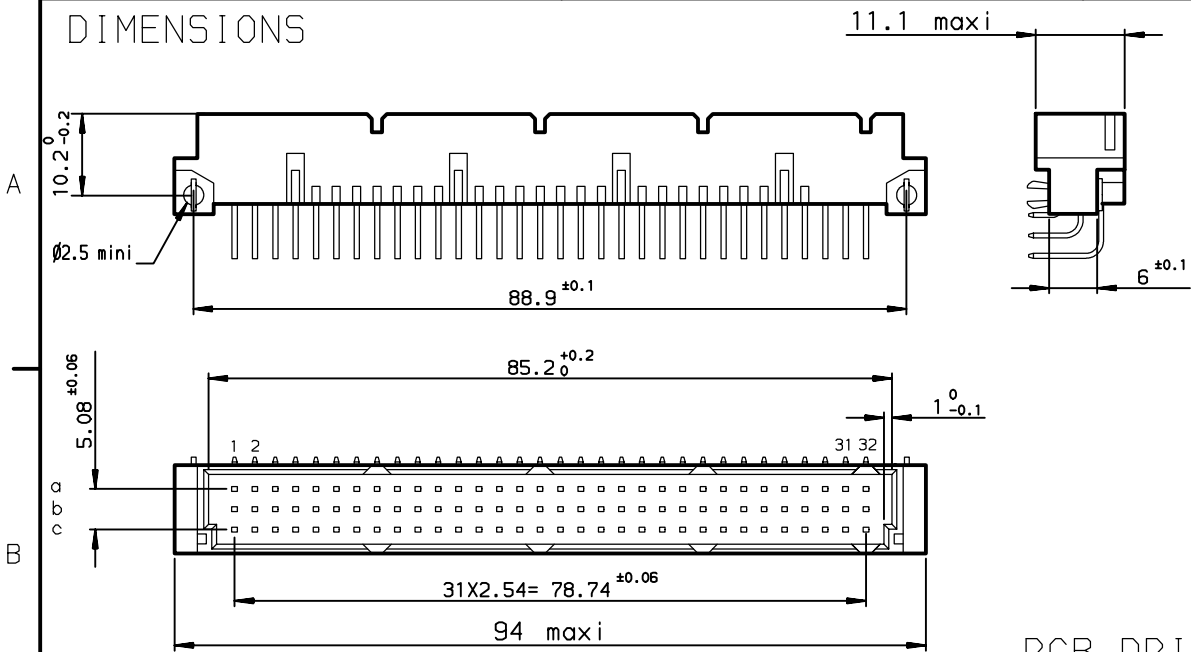


DIMENSIONS



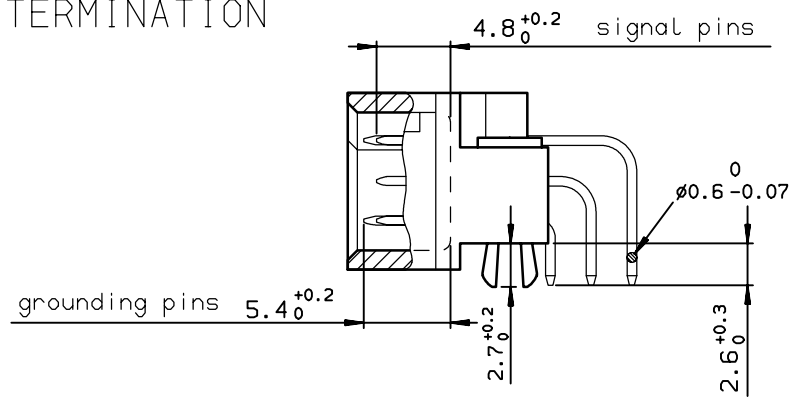
TIN LEAD PART NUMBER

PART NUMBER
86093967113H65121E1

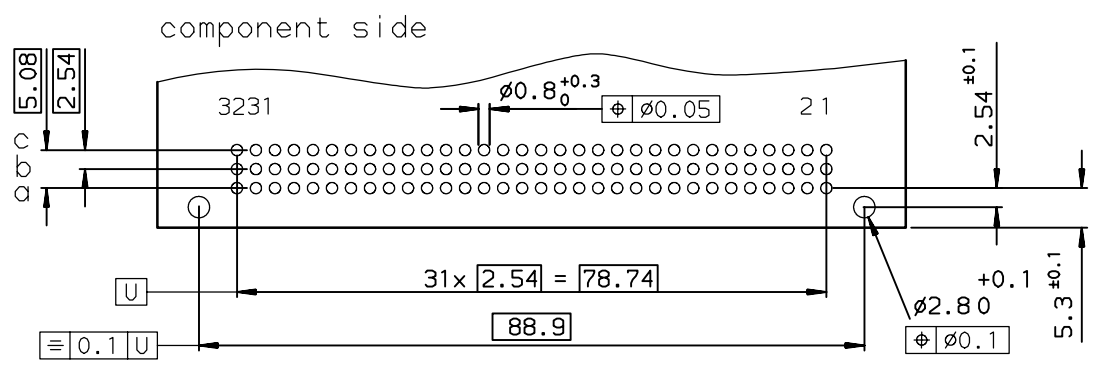
LEAD FREE PART NUMBER

PART NUMBER
86093967113H65AGLF

TERMINATION



PCB DRILLING



GENERAL CHARACTERISTICS AND ROHS INFORMATIONS:

SEE DRAWING C-8609-0000A

European Views

www.fciconnect.com		surface ISO 1302	tolerance std ISO 406 ISO 1101	projection	mm
TOLERANCES UNLESS OTHERWISE SPECIFIED					
Dr	ROUILLARD	2000/06/15	ANGULAR	0.X ±0.1	size A3
Eng	TARON	2000/06/15	LINEAR	0.XX ±0.1	Scale 1.5
Chr	LEGARE	2000/06/15	0.XX' ±2'	0.XXX ±0.1	ECN LS06-0095
Appr	LEGARE	2000/06/15	Product family	DIN 8609	Spec ref -
FCI		title STANDARD MALE 3 ROW 96 CONTACTS		dwg no C-8609-0813	Rev. C
catalog no		-		CUSTOMER	sheet 1 of 1

SPECIFICATION 121 = 4 grounding pins in position : A1-A32-C1-C32
or SPECIFICATION AG=

rev	ecn no	dr	date
A	-	-	2000/06/15
B	LS05-001	JTA	2005/03/02
C	LS06-0095	LGO	2006/06/26
-	-	-	-
-	-	-	-
-	-	-	-



Copyright FCI.