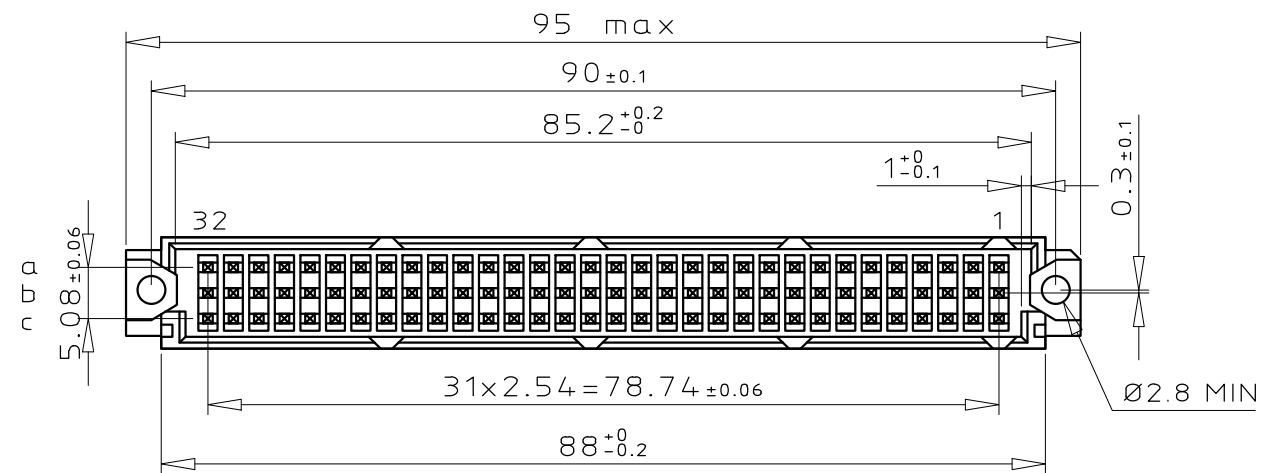
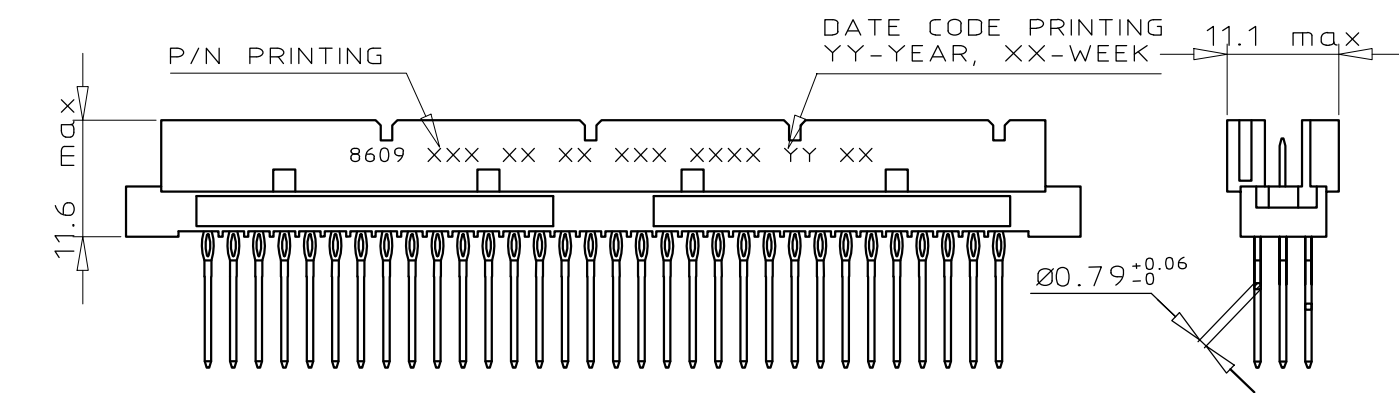
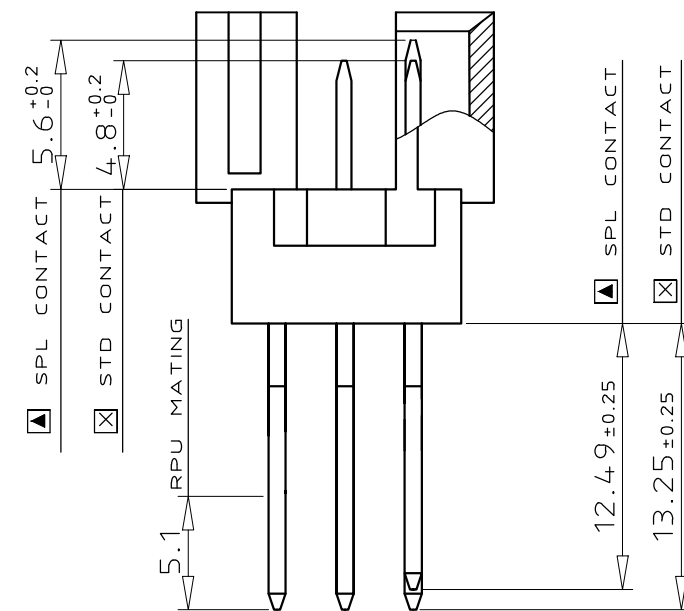


DIMENSIONS



TERMINATION



CONTACT ARRANGEMENT

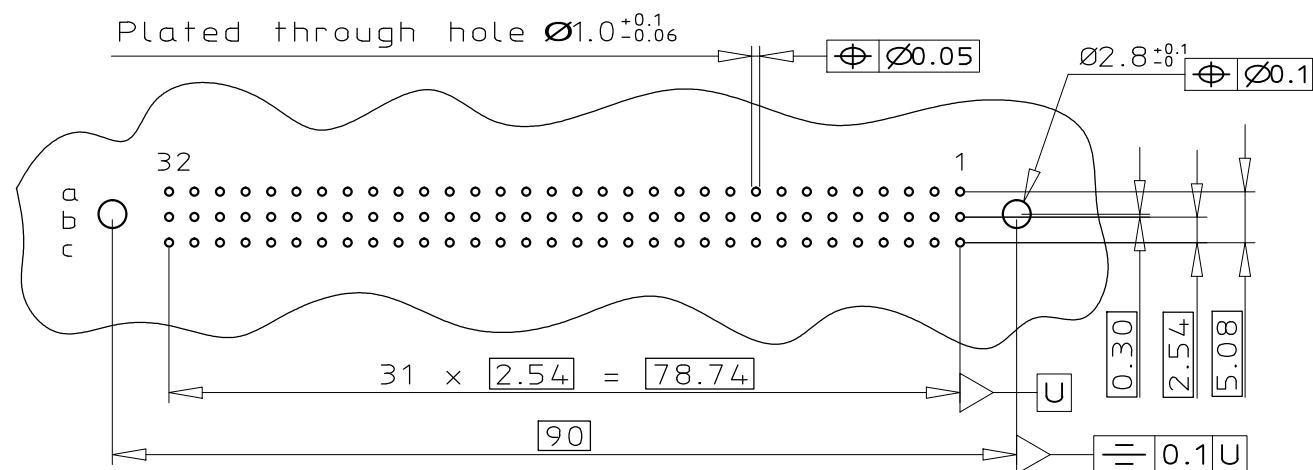
	1	2	3	4	5	6	7	8	9	10	11	12	13	14	15	16	17	18	19	20	21	22	23	24	25	26	27	28	29	30	31	32	
a	×	×	×	×	×	×	×	×	×	×	×	×	×	▲	×	×	×	×	×	×	×	×	×	×	×	×	×	×	×	×	×	×	×
b	×	×	×	×	×	×	×	×	×	×	×	×	×	×	×	×	×	×	×	×	×	×	×	×	×	×	×	×	×	×	×	×	×
c	×	×	×	×	×	×	×	×	×	×	×	×	×	×	×	×	×	×	×	×	×	×	×	×	×	×	×	×	×	×	×	×	×

STANDARD CONTACT
 EMPTY CAVITY
 SPECIAL CONTACT

PART NUMBER : 86093967896755GALF

Lead Free Spl Code GALF : For positions a14 & a28 contact will be longer by 0.762mm at the mating side and shorter by 0.762mm at the terminal side

PCB LAYOUT



GENERAL CHARACTERISTICS & RoHS INFO

REFER DRAWING C-8609-0000C

mat'l. code SEE DWG C-8609-0000C	surface ISO 1302	tolerance ISO 406 ISO 1101	projection 	product family 8609
ltr A	ecn no 111-0136	dr MJA	date 2011-07-13	title DIN REVERSE HEADER DIN 41612 STYLE R PRESSFIT REAR PLUG UP
tolerances unless otherwise specified angles linear 0°±2°				scale 3:2
dr MJACOB		2011-07-13		dwg no C-8609-2193
enr MJACOB		2011-07-13		sheet 1 of 1 size A3
chr MJACOB		2011-07-13		type Product Customer Drawing
appd BIJU K PAUL		2011-07-13		
sheet index	revision sheet	A	1	



FCconnect.com

Copyright FCJ