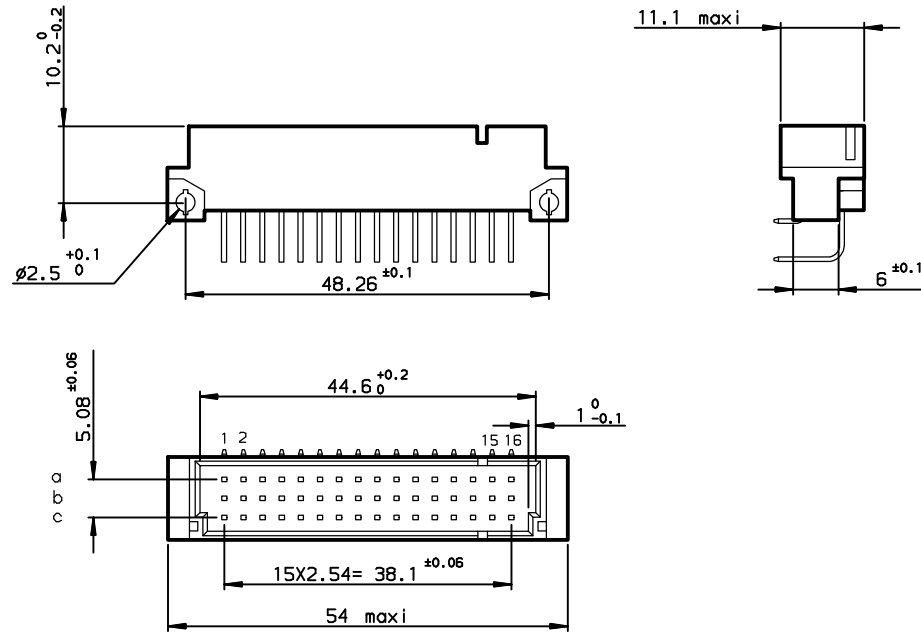
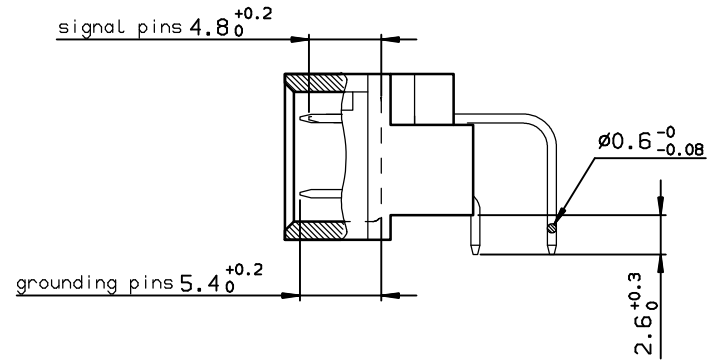


DIMENSIONS



TERMINATION



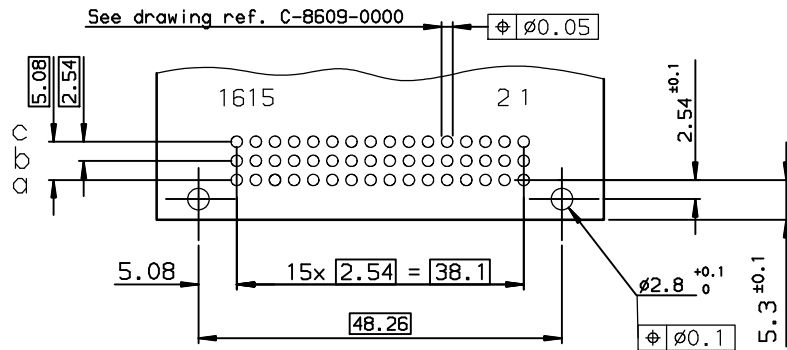
TIN LEAD PART NUMBER

PART NUMBER  
86094327313755907E1

LEAD FREE PART NUMBER

PART NUMBER  
86094327313755CDLF

P.C. CARD DRILLING (Component side view)



SPECIFICATION 907 = Standard pin in C13  
OR SPECIFICATION CD = Grounding pins in other cavities

GENERAL CHARACTERISTICS AND ROHS INFORMATIONS:  
SEE DRAWING C-8609-0000A

European Views

www.fciconnect.com		surface ISO 1302 ✓	tolerance std ISO 406 ISO 1101	projection mm
TOLERANCES UNLESS OTHERWISE SPECIFIED				
Dr	ROUILLARD	2004/01/08	0.x	±0.1
Eng	TARON	2004/01/08	0.xx	±0.1
Chr	LEGARE	2004/01/08	0.xxx	±0.1
Appr	LEGARE	2004/01/08	Product family	
			DIN 8609	Spec ref -
title		STANDARD MALE 3 ROW		Rev.
32 CONTACTS		C-8609-1167		C
catalog no		CUSTOMER		sheet 1 of 1

rev	ecn no	dr	date
A	-	-	2004/01/08
B	LS05-001	JTA	2005/03/03
C	LS06-0095	LGO	2006/06/28
-	-	-	-
-	-	-	-
-	-	-	-



Copyright FCI.