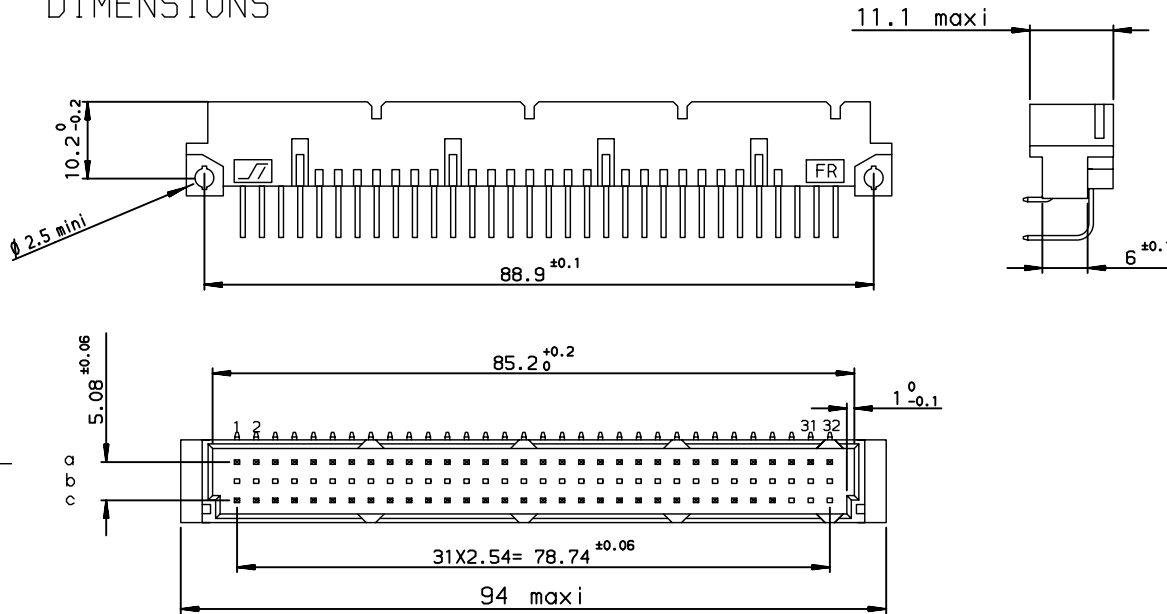


DIMENSIONS



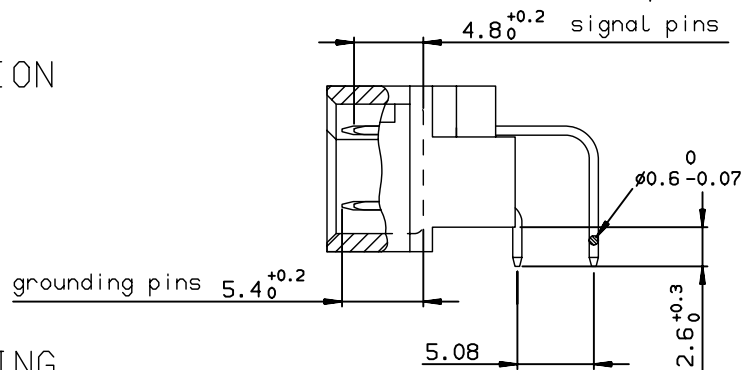
TIN LEAD PART NUMBER

PART NUMBER
86094647113755121E1

LEAD FREE PART NUMBER

PART NUMBER
86094647113755AGLF

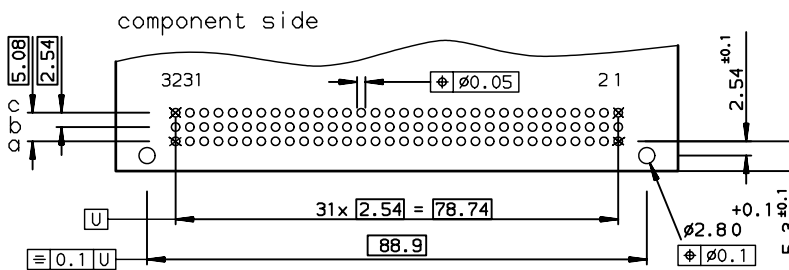
TERMINATION



SPECIFICATION 121 or AGLF = Grounding pins in position : A1 / A32
C1 / C32

GENERAL CHARACTERISTICS AND ROHS INFORMATIONS:
SEE DRAWING C-8609-0000A

PCB DRILLING



rev	ecn no	dr	date
A	-	-	1997/11/25
B	LS07-0073	HLE	2007/03/07
-	-	-	-
-	-	-	-
-	-	-	-

www.fciconnect.com		surface ISO 1302	tolerance std ISO 406 ISO 1101	projection mm
TOLERANCES UNLESS OTHERWISE SPECIFIED				
Dr	ROUILLARD	1997/11/25	0.X	±0.1
Eng	ROUILLARD	1997/11/25	0.XX	±0.1
Chr	P.LEGARE	1997/11/25	0.XXX	±0.1
Appr	P.LEGARE	1997/11/25	Product family	DIN STD
			size A3	Scale 1.5
			ECN	LS07-0073
			Spec ref	-
title STANDARD MALE 3 ROW		dwg no C-8609-0676		Rev. B
64 CONTACTS		See table		CUSTOMER sheet 1 of 1