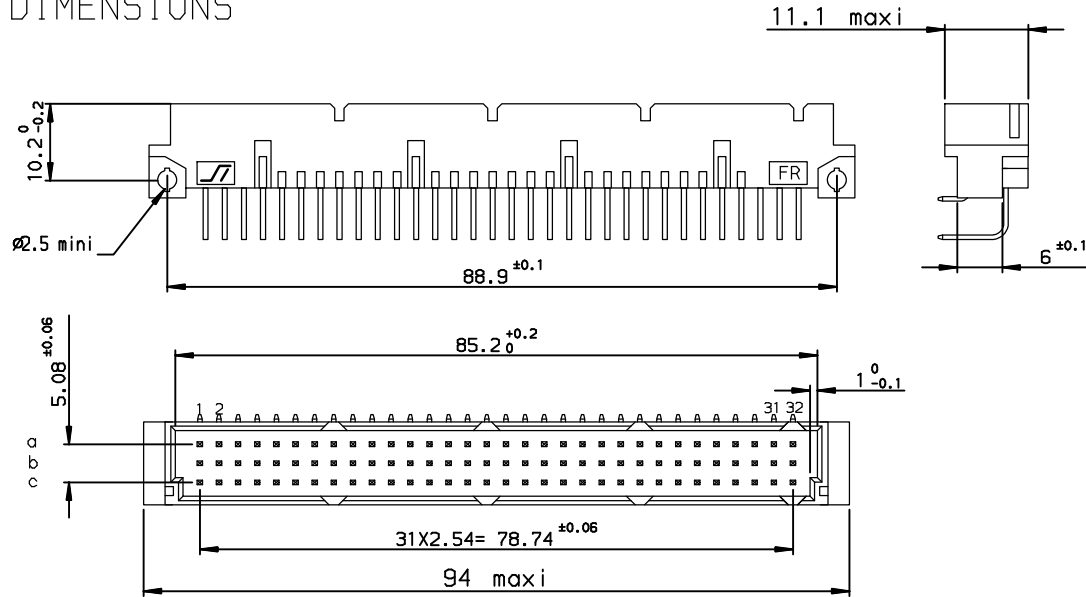
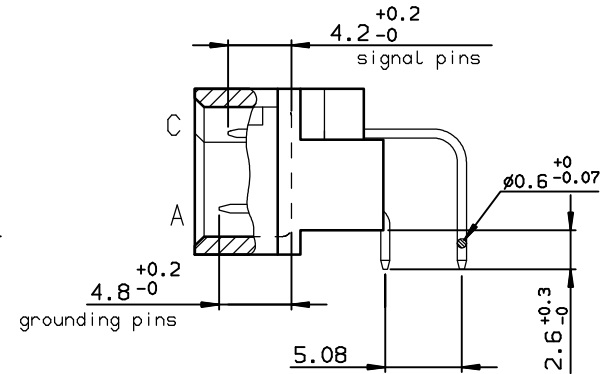


DIMENSIONS



TERMINATION



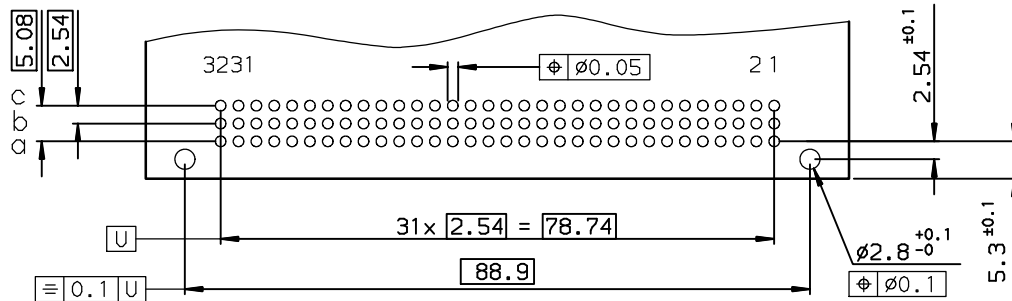
TIN LEAD PART NUMBER

PART NUMBER
86094647113755893E1

LEAD FREE PART NUMBER

PART NUMBER
86094647113755CCLF

PCB DRILLING
component side



SPECIFICATION 893 = Grounding pins in position A1 & A32
OR SPECIFICATION CC =

GENERAL CHARACTERISTICS AND ROHS INFORMATIONS:
SEE DRAWING C-8609-0000A

European Views

www.fciconnect.com		surface ISO 1302 ✓	tolerance std ISO 406 ISO 1101	projection mm
		TOLERANCES UNLESS OTHERWISE SPECIFIED		
Dr	LELEON	2003/01/22	ANGULAR	size A3
Eng	TARON	2003/01/22	LINEAR	Scale 1.5
Chr	LEGARE	2003/01/22	0.X ±0.1	ECN L506-0095
Appr	LEGARE	2003/01/22	0.XX ±0.1	Spec ref -
			Product family	DIN 8609
title		RIGHT ANGLE HEADER 64 WAYS		Rev.
catalog no		2 GROUNDING PINS		D
		CUSTOMER		sheet 1 of 1

rev	ecn no	dr	date
B	-	LEL	2003/02/03
C	LS05-001	JTA	2005/03/04
D	LS06-0095	LGO	2006/06/28
-	-	-	-
-	-	-	-
-	-	-	-
-	-	-	-



Copyright FCI.