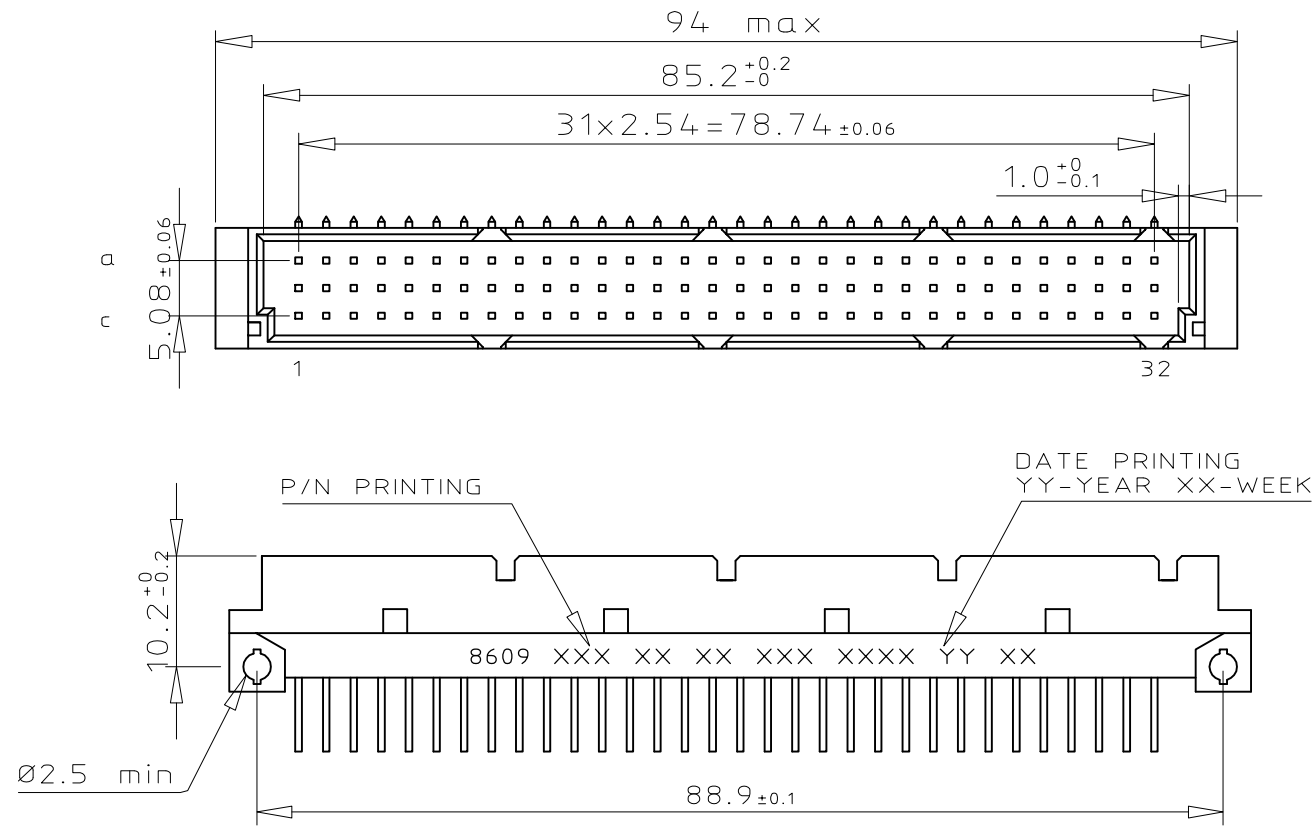
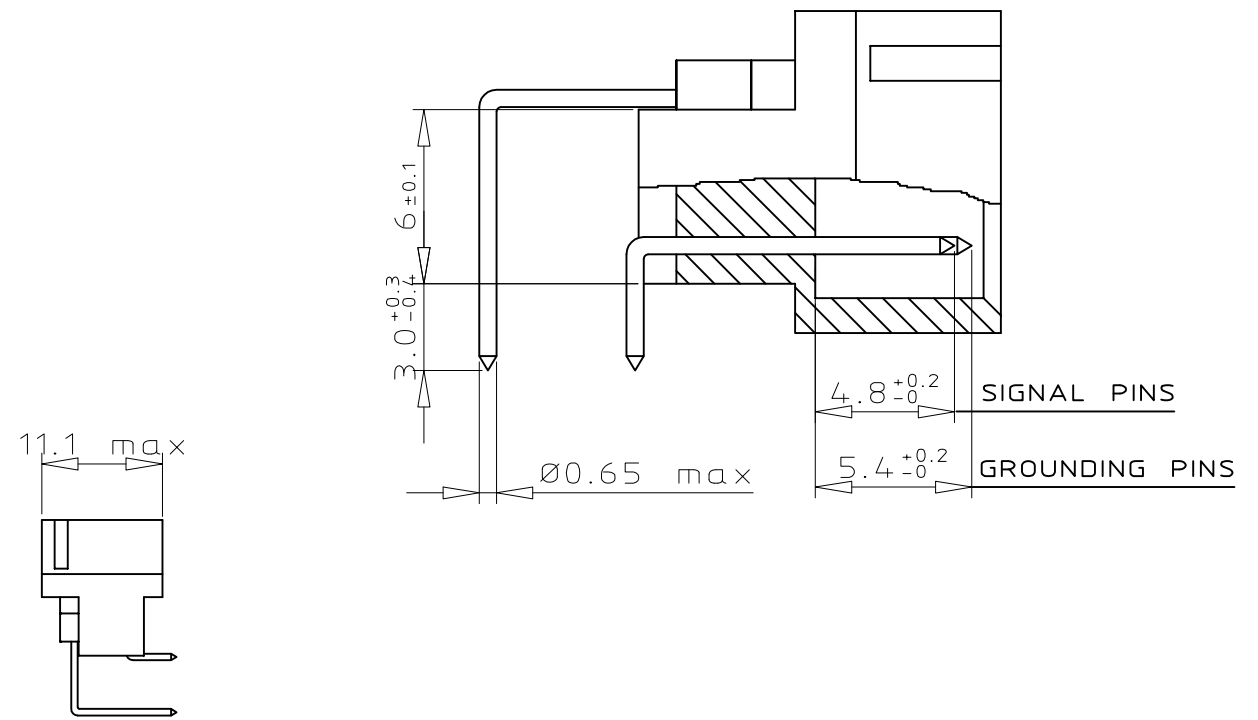


DIMENSIONS



TERMINATION

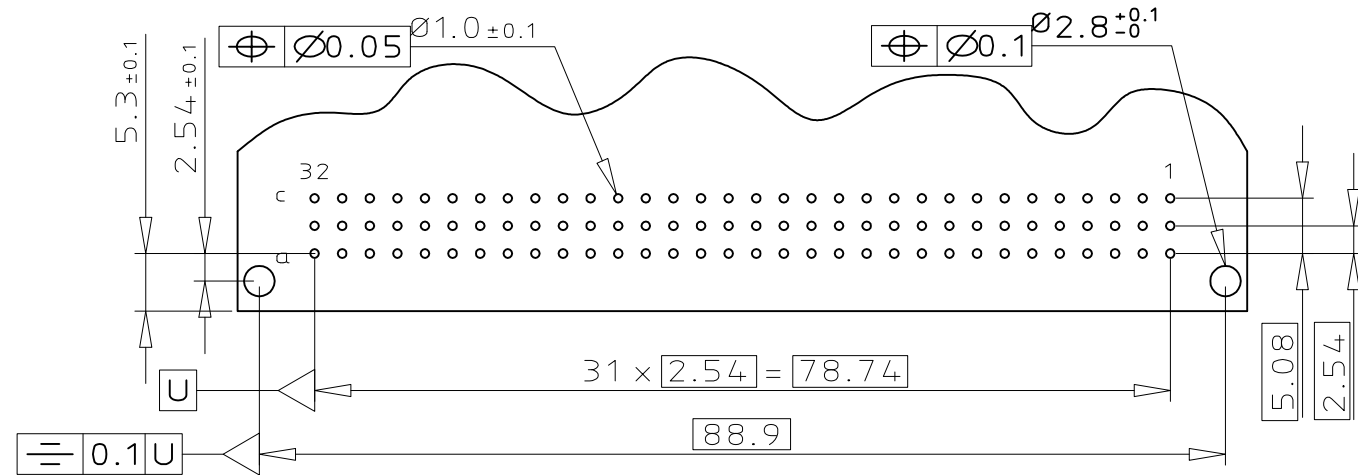


CONTACT ARRANGEMENT

	1	2	3	4	5	6	7	8	9	10	11	12	13	14	15	16	17	18	19	20	21	22	23	24	25	26	27	28	29	30	31	32	
a	X	X	✓	X	X	X	X	X	X	X	X	X	X	X	X	X	X	X	X	X	X	X	X	X	X	X	X	X	X	X	X	X	X
b																																	
c	X	X	✓	X	X	X	X	X	X	X	X	X	X	X	X	X	X	X	X	X	X	X	X	X	X	X	X	X	X	X	X	X	X

STANDARD CONTACT
 EMPTY CAVITY
 FMLB CONTACT
 LMEB CONTACT

PCB LAYOUT



PART NUMBER

86094647113755TNLF

TNLF : Spl loading of contacts - See contact arrangement

GENERAL CHARACTERISTICS & RoHS INFO

REFER DRAWING C-8609-0000A

mat'l. code	surface	tolerance	projection	product family
SEE DRAWING C-8609-0000A	ISO 1302 ✓	ISO 406 ISO 1101		8609
ltr	ecn no	dr	date	title
A	109-0142	KR	2009-07-15	DIN STANDARD HEADER ANGLED SPILL DIN 41612 STYLE C
tolerances unless otherwise specified		angles	linear	mm
		0°±2°	0.X ±0.1 0.XX ±0.1 0.XXX ±0.1	scale 3:2
dr	KESAVAN R	2009-07-15		dwg no
enr	KESAVAN R	2009-07-15		sheet 1 of 1
chr	KESAVAN R	2009-07-15		size
appd	BIJU K PAUL	2009-07-15		A3
sheet index	revision sheet	A	1	type Product Customer Drawing