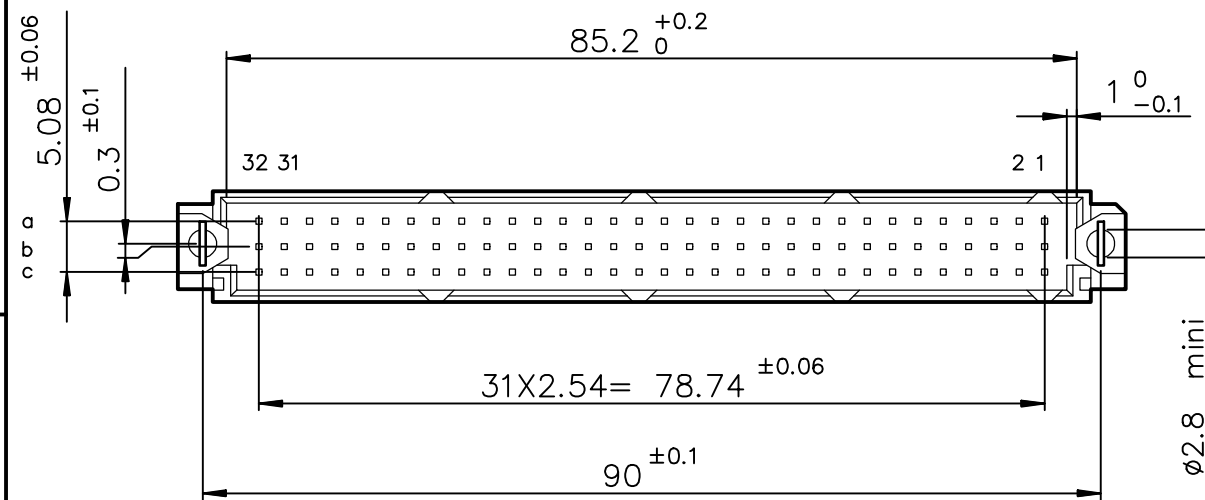
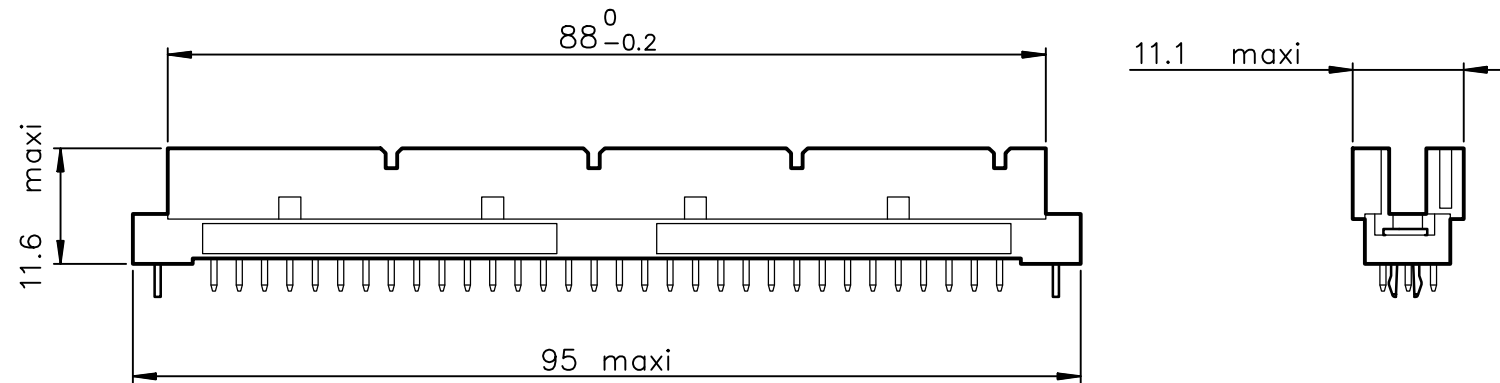
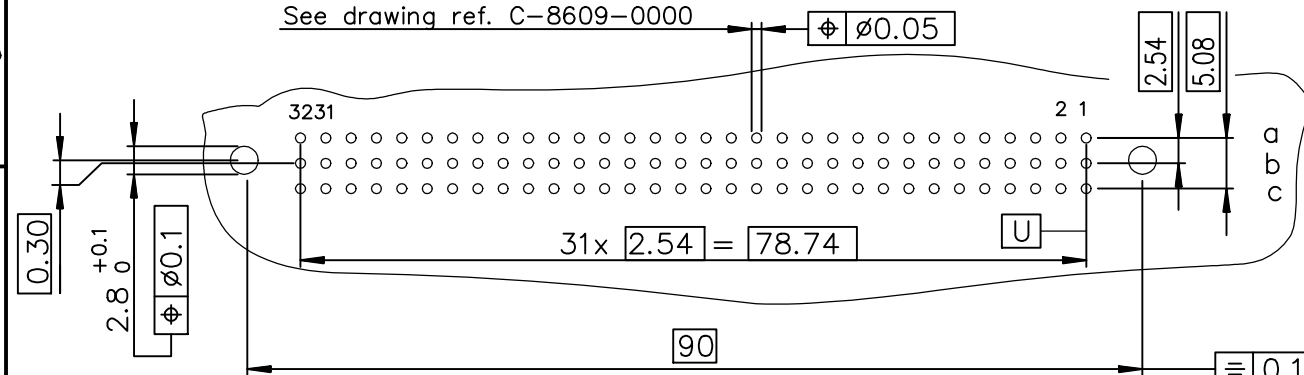


DIMENSIONS



P.C. CARD DRILLING (Component side view)

See drawing ref. C-8609-0000



TIN LEAD PART NUMBER

PART NUMBER

86094647824H55113E1

86093967824H55113E1

LEAD FREE PART NUMBER

PART NUMBER

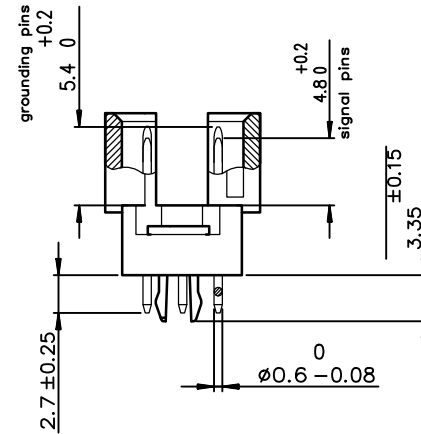
86094647824H55AELF

86093967824H55AELF

ROWS FITTED WITH CONTACTS

ROW a b c -----3  
ROW a - c -----4

TERMINATION



SPECIFICATION 113 = 8 grounding pins in position :  
or SPECIFICATION AE= row : a-c cavity : 1-2-31-32

GENERAL CHARACTERISTICS AND ROHS INFORMATIONS:

SEE DRAWING C-8609-0000A

European Views

www.fciconnect.com		surface ISO 1302	tolerance std ISO 406 ISO 1101	projection mm
		TOLERANCES UNLESS OTHERWISE SPECIFIED		mm
Dr	ROUILLARD	2001/01/30	ANGULAR	size A3
Eng	TARON	2001/01/30	LINEAR	Scale 1.5
Chr	M JACOB	2011/10/21	0.XX' ±2	ECN 111-0176
Appr	BIJU K PAUL	2011/10/21	Product family	Spec ref -
title REVERSE MALE 3 ROW 64 CONTACTS		dwg no C-8609-0878		Rev. D
catalog no		CUSTOMER		sheet 1 of 1

rev	ecn no	dr	date
A	-	-	2001/01/30
B	LS05-001	JTA	2005/03/03
C	LS06-0095	LGO	2006/06/26
D	I11-0176	MJA	2011/10/21
-	-	-	-
-	-	-	-
-	-	-	-



Copyright FCI.

REV F - 2006-04-17