

TIMER BTTT-S

Weidmüller Interfaces GmbH & Co. KG

Postfach 3030

32760 Detmold

Tel. +49 5231 14-0

Fax. +49 5231 14-2083

info@weidmueller.com

www.weidmueller.com

Product image



General ordering data

Version	BT-SERIES, Clock generator, Number of contacts: 1, CO contact, AgNi 90/10, Rated control voltage: 24...230 V AC, 24...48 V DC, Continuous current: 5 A, Screw connection
Order No.	8647740000
Type	TIMER BTTT-S
GTIN (EAN)	4032248308941
Qty.	10 pc(s).
Delivery status	This article will no longer be available in the future.
Available until	2021-12-31
Alternative product	2697260000

TIMER BTTT-S
Weidmüller Interfaces GmbH & Co. KG

Postfach 3030

32760 Detmold

Tel. +49 5231 14-0

Fax. +49 5231 14-2083

info@weidmueller.com
www.weidmueller.com
Technical data
Dimensions and weights

Depth	74 mm	Depth (inches)	2.913 inch
Height	80 mm	Height (inches)	3.15 inch
Width	17.5 mm	Width (inches)	0.689 inch
Net weight	77.9 g		

Temperatures

Storage temperature	-25 °C...65 °C	Operating temperature	-10 °C...55 °C
Humidity	35...85 % rel. humidity, no condensation		

Environmental Product Compliance

REACH SVHC Lead 7439-92-1

Rated data UL

Certificate No. (UR)	E223474	Certificate No. (cURus)	E223474
----------------------	---------	-------------------------	---------

Control side

Rated control voltage	24...230 V AC, 24...48 V DC	Power rating	≤ 0.4 VA, 1.6 W
Pull-in/drop-out voltage, typ.	20.4 V / 2.4 V AC 20.4 V / 2.4 V DC	Status indicator	Duo-LED orange lights permanently: relay closed, Duo-LED green: relay output off
Time ranges	0.1 s - 1.2 s, 1 s - 12 s, 0.1 min - 1.2 min, 1 min - 12 min, 0.1 h - 1.2 h, 1 h - 12 h	Setting tolerance	10 %
Max. reset time after voltage interruption	100 ms	Min. pulse duration	50 ms
Repeat accuracy	± 1 %		

Load side

Rated switching voltage	250 V AC	Continuous current	5 A
Max. switching voltage, AC	250 V	AC switching capacity (resistive), max.	2500 VA
DC switching capacity (resistive), max.	120 W @ 24 V	Contact type	1 CO contact (AgNi 90/10)
Electrical service life, DC coil	10 ⁵ switching cycles (5A at 250 Vac, ohm load at 1800/h)	Mechanical service life	10 ⁷ switching cycles (no load, 1800/h)

General data

Rail	TS 35	Test button available	No
Mechanical switch position indicator	No	Colour	beige
UL 94 flammability rating	V-2		

Insulation coordination

Dielectric strength, Input/Output	2 kV _{eff} / 1 min	Protection degree	IP20
-----------------------------------	-----------------------------	-------------------	------

Creation date June 3, 2022 7:00:48 PM CEST

Catalogue status 20.05.2022 / We reserve the right to make technical changes.

TIMER BTTT-S
Weidmüller Interfaces GmbH & Co. KG

Postfach 3030

32760 Detmold

Tel. +49 5231 14-0

Fax. +49 5231 14-2083

info@weidmueller.com
Technical data
Further details of approvals / standards

Standards	UL508	Certificate No. (CSA)	www.weidmueller.com 219713
Certificate No. (UR)	E223474	Certificate No. (cURus)	E223474

Connection data

Wire connection method	Screw connection	Stripping length, rated connection	7 mm
Tightening torque, max.	0.98 Nm	Clamping range, rated connection	1.5 mm ²
Clamping range, min.	0.5 mm ²	Clamping range, max.	2.5 mm ²
Wire connection cross section AWG, min.	AWG 20	Wire connection cross section AWG, max.	AWG 14
Wire cross-section, solid, min.	0.5 mm ²	Wire cross-section, solid, max.	2.5 mm ²
Wire connection cross section, finely stranded, min.	0.5 mm ²	Wire connection cross section, finely stranded, max.	2.5 mm ²
Wire connection cross-section, finely stranded with wire-end ferrules DIN 46228/4, min.	0.5 mm ²	Wire connection cross-section, finely stranded with wire-end ferrules DIN 46228/4, max.	2.5 mm ²
Conductor cross-section, flexible, AEH (DIN 46228-1), min.	0.5 mm ²	Conductor cross-section, flexible, AEH (DIN 46228-1), max.	2.5 mm ²
Wire connection cross section, finely stranded, two clampable wires, min.	0.5 mm ²	Wire cross-section, finely stranded, two clampable wires, max.	1.5 mm ²
Blade size	size PH1		

Classifications

ETIM 6.0	EC001439	ETIM 7.0	EC001439
ETIM 8.0	EC001439	ECLASS 9.0	27-37-16-05
ECLASS 9.1	27-37-16-05	ECLASS 10.0	27-37-16-05
ECLASS 11.0	27-37-16-05	ECLASS 12.0	27-37-16-05

Approvals

Approvals



ROHS Conform

Downloads

Approval/Certificate/Document of Conformity	EU Konformitätserklärung / EU Declaration of Conformity
Engineering Data	CAD data – STEP
Engineering Data	EPLAN, WSCAD
User Documentation	Time functions BTTT-Timer
Catalogues	Catalogues in PDF-format
Brochures	

TIMER BTTT-S

Weidmüller Interfaces GmbH & Co. KG

Postfach 3030

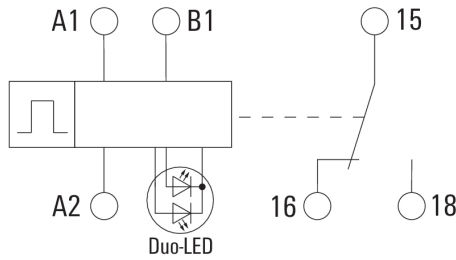
32760 Detmold

Tel. +49 5231 14-0

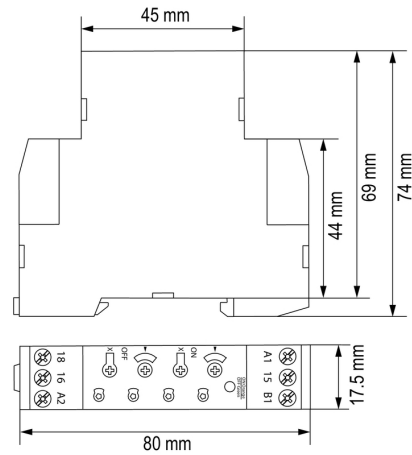
Fax. +49 5231 14-2083

Drawings

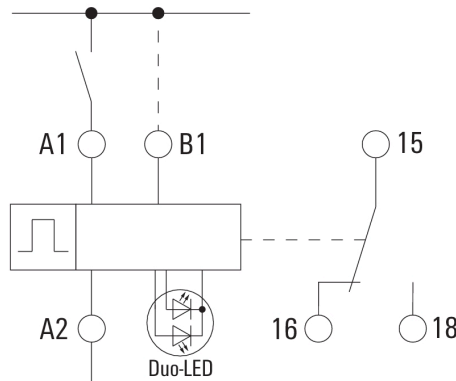
Wiring diagram



Dimensional drawing info@weidmueller.com

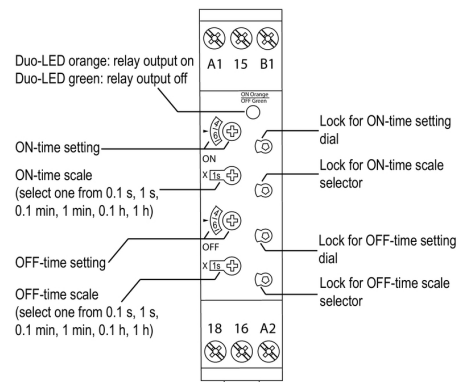


Example of use



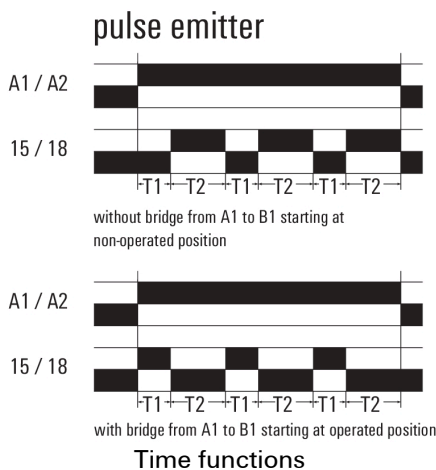
Wiring example

Dimensional drawing



Detailed drawing

Graph



Time functions

TIMER BTTT-S

Weidmüller Interfaces GmbH & Co. KG

Postfach 3030

32760 Detmold

Tel. +49 5231 14-0

Fax. +49 5231 14-2083

info@weidmueller.com

Accessories

Crosshead screwdriver Phillips



VDE insulated crosshead screwdriver for Phillips screws, SDIK PH DIN 7438, ISO 8764/2-PH, output to ISO 8764-PH, SoftFinish grip

General ordering data

Type	SDIK PH1 X 80	Version
Order No.	2749890000	Screwdriver, Blade length: 80 mm
GTIN (EAN)	4050118897098	
Qty.	1 pc(s).	

Crosshead screwdriver Phillips



Crosshead screwdriver, Phillips, SDK PH DIN 5262, ISO 8764/2-PH, output to ISO 8764-PH, ChromTop tip, SoftFinish grip

General ordering data

Type	SDK PH1 X 80	Version
Order No.	2749410000	Screwdriver, Blade length: 80 mm
GTIN (EAN)	4050118895636	
Qty.	1 pc(s).	