

**SMP/SMPM/SMPS**

High Performance

Connectors to 65 GHz



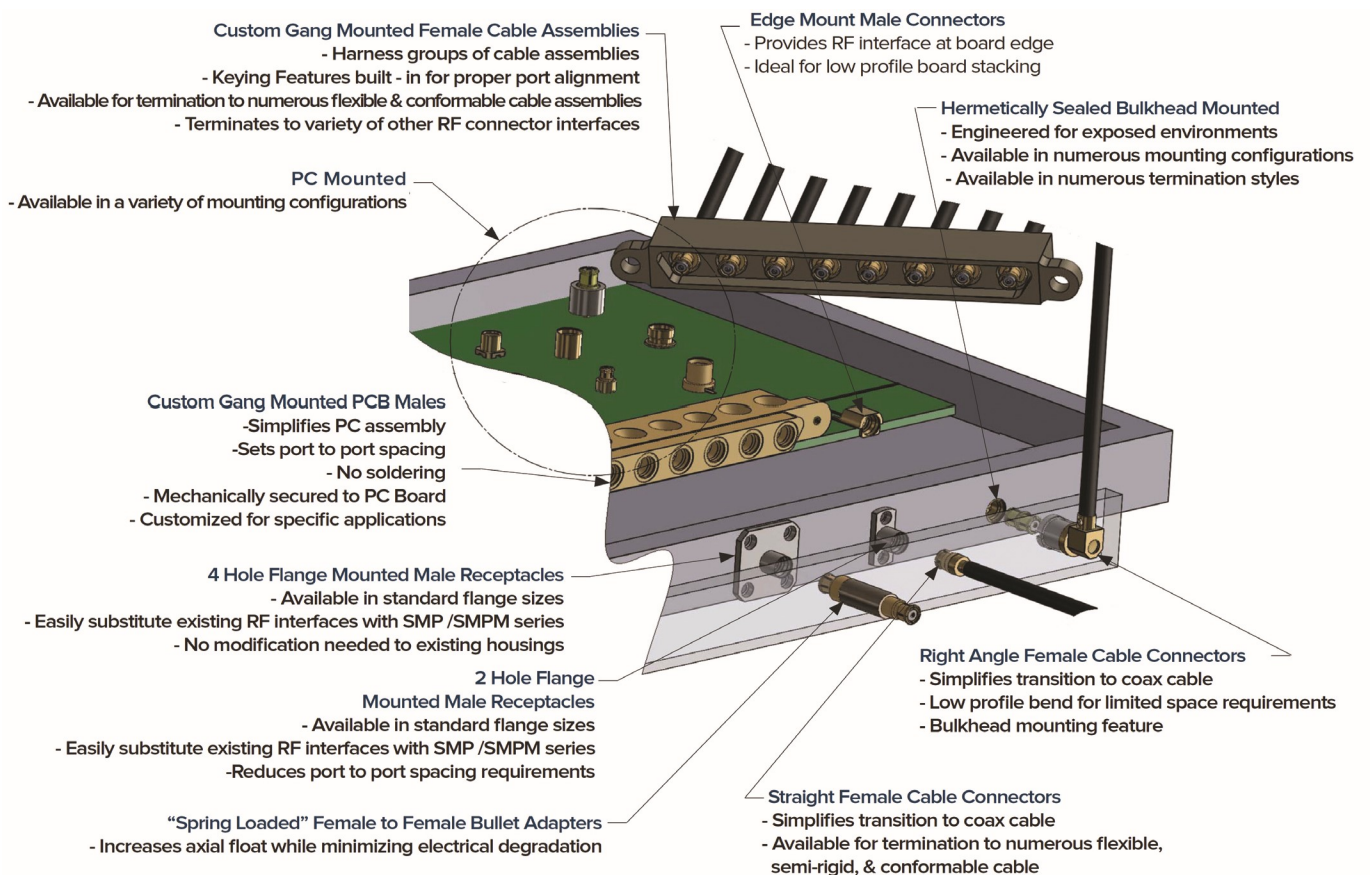
Delta Electronics Mfg. Corp.  
[deltarf.com](http://deltarf.com)  
978-927-1060  
[sales@deltarf.com](mailto:sales@deltarf.com)

## Applications

### SMP/SMPM Application Notes

SMP, SMPM & SMPS connectors are excellent choices for PC board to board interconnects, as well as module to module interconnects. The unique interface constructions allow for minimal electrical degradation when maximum misalignment occurs. Their overall profile allows for system designers to fit these interconnects in to tighter packaging than the majority of micro-miniature RF connectors. Both the SMP, SMPM & SMPS come in a variety of configurations, each with specific features for whatever engineering challenge a designer is facing.

Delta took this into consideration when developing this catalog and provides any combination of configuration to meet our customers' needs. Whether you are interfacing in an exposed environment, increasing package density, reducing weight or improving performance at higher frequencies, Delta's complete line of SMP / SMPM / SMPS connectors provides a solution. Current applications utilizing the SMP /SMPM / SMPS connectors include Military / Aerospace, Medical, Networking and Telecommunications.



## General Description

### SMP Connectors DC - 40 GHz

Delta Electronics Manufacturing offers a full line of SMP connectors. These high performance Sub-miniature Modular Plug-in style microwave connectors allow devices to be connected in a modular fashion, without the need for cables or threaded coupling mechanisms. Central to the SMP design is the floating female to female “Bullet” adapter. This adapter, available in different lengths, provides the axial and radial float required for the blind-mate, plug-in functionality of the interface. The adapter is mated between two males connectors allowing simultaneous multiple microwave interconnects with a minimum center to center spacing of .170 of an inch. This series is ideal for high density module to module or board to board interconnects.

Delta’s SMP series is designed in accordance with DSCC 94007, 94008 and Mil-STD-348A.

The **SMP** interface is available in (3) levels of retention:

**Full Detent (FD)** for maximum retention

**Limited Detent (LD)** for medium retention

**Smooth Bore (SB)** for minimum retention

Also available, for applications requiring maximum self alignment during mating:

**Catchers Mitt (CM)** offers a wide angle of entry & the absolute minimum retention.

Delta’s Spring Loaded “Bullet” design offers increased axial & radial float while maintaining the full mechanical properties of the standard bullet. (see page 12 for details).

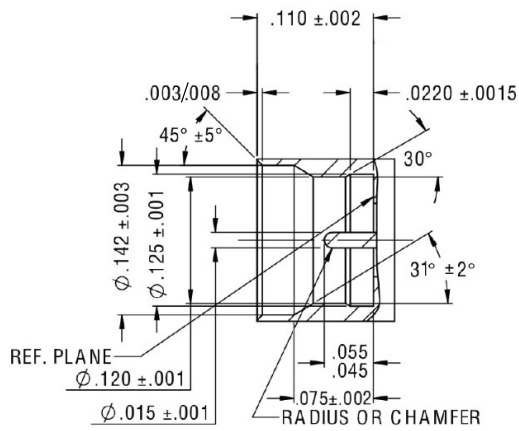


## Table of Contents

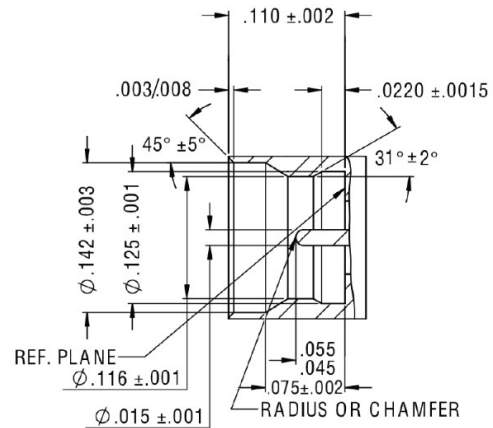
<b>SMP</b>		<b>SMPM</b>	
General Description.....	3	Interface Dimension.....	15
Interface Dimensions.....	4	Electrical & Mechanical Specifications.....	16
Electrical & Mechanical Specifications.....	5	Test Data.....	16
Test Data.....	5	Cable Connectors .....	17
Cable Mount Connectors.....	6-8	Shroud(s).....	18
Shrouds.....	9-10	Thread-In Male.....	18
Accessory Pins.....	10	Hermetically Sealed & Panel Mounts.....	19-20
Hermetically Sealed Connectors.....	10	Surface / Float Mount Females.....	21
Panel Mounts.....	11	Surface Mount Males .....	22
PC Board Mounts .....	12	Female to Female Bullet Adapters.....	23
Edge Mounts.....	13	<b>SMPS</b> .....	24-31
Female to Female “Bullet” Adapters.....	13	Assembly Procedures.....	33-35
Spring Loaded F to F “Bullet” Adapters.....	14	Index By Delta P/N & Notes.....	35



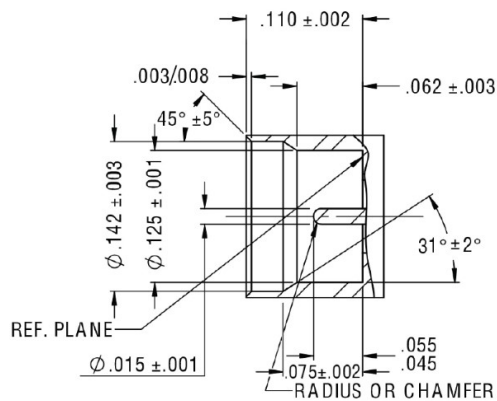
## SMP Interfaces



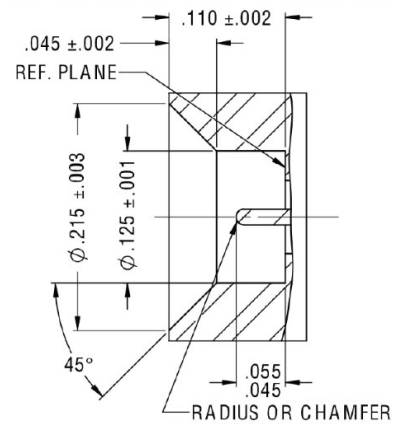
**SMP (Limited Detent) Male**  
PER MIL-STD-348B - Figure 326.3



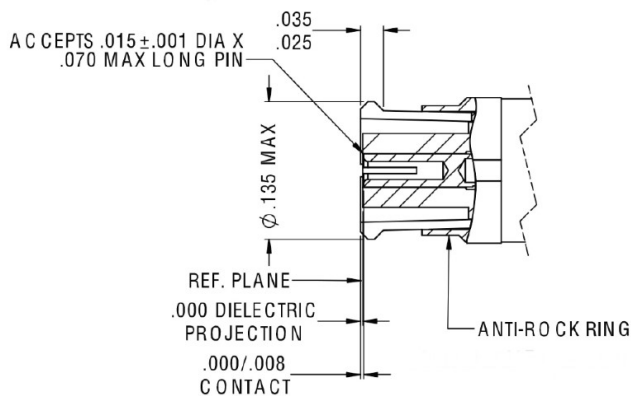
**SMP (Full Detent) Male**  
PER MIL-STD-348B - Figure 326.2



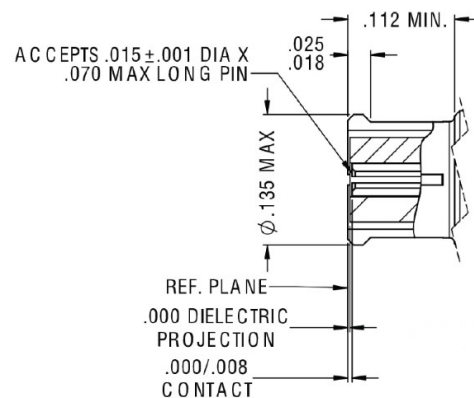
**SMP (Smooth Bore) Male**  
PER MIL-STD-348B - Figure 326.4



**SMP (Catchers Mitt) Male**  
PER MIL-STD-348B - Figure 326.5



**SMP Female (Cabled)**  
PER MIL-STD-348B - Figure 326.1a



**SMP Female (Uncabled)**  
PER MIL-STD-348B - Figure 326.1



## SMP Electrical & Mechanical Specifications\*

### Electrical Specifications:

**Nominal Impedance:** 50 ohms  
**Frequency Range:** DC-40 GHz  
**Typical VSWR:** 1.20 Max thru 26.5 GHz ; 1.5 Max thru 40 GHz  
**Insulation Resistance:** 5,000 megohms  
**DWV (@sea level) :** 500 Vrms  
**Power Handling: (@sea level & ambient temperature) :** 120W – 5.5f (frequency)  
**RF Leakage:** -80db to 3 GHz, -65db to 26.5 GHz

### Mechanical Specifications:

**Durability:** 100 min (FD) ; 500 min (LD) ; 1000 (SB & CM)  
**Force to Engage:** 9.0 lbs typ (FD) ; 7.0 lbs typ (LD) ; 5.0 lbs typ (SB & CM)  
**Force to Disengage:** 7.0 lbs typ (FD) ; 5.0 lbs typ (LD) ; 0.5 lbs typ (SB & CM)  
**Contact Retention:** 2 lbs min.  
**Minimum Center Line to Center Line Spacing:** .156”  
**Radial Misalignment:** +/- .010”  
**Axial Misalignment:** .010” Max

### Materials:

**Bodies/Shrouds:** Beryllium Copper Per ASTM B196 and/or ASTM B197 or Stainless Steel type 303, Condition A  
**Outer Contacts:** Beryllium Copper Per ASTM B196 or ASTM B197  
**Center Contacts:** Beryllium Copper Per ASTM B196 or ASTM B197  
**Insulators:** PTFE Fluorocarbon per ASTM D1710

### Finishes:

**Bodies:** Gold Plate per MIL-G-45204, over Nickel Plate per SAE AMS-QQ-N-290 or Passivated per AMS-QQ-P-35

**Contacts:** Gold Plate per MIL-G-45204, over Nickel Plate per SAE AMS-QQ-N-290

### Environmental Specifications:

**Temperature Range:** -65° C to +165° C

**Shock:** Meets MIL-STD-202 Method 213, Condition I

**Vibration:** Meets MIL-STD-202 Method 204, Condition D

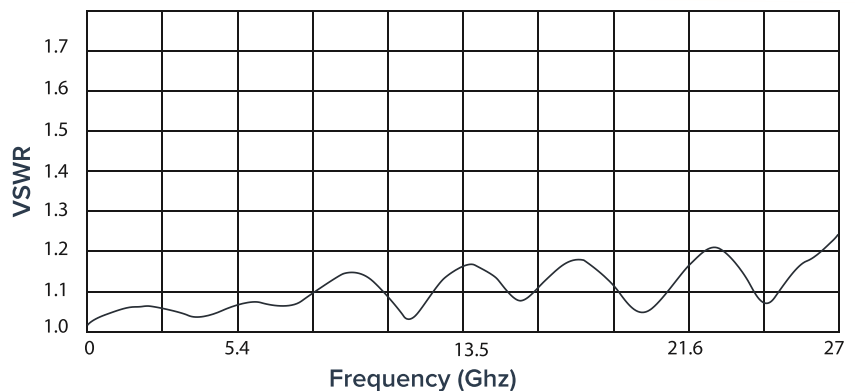
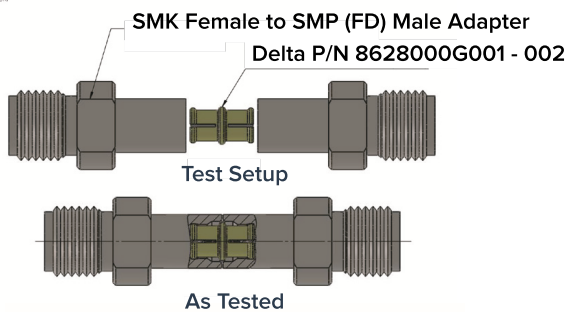
**Altitude:** Meets MIL-STD-202, Method 105 Condition C

**Thermal Shock:** Meets MIL-STD-202, Method 107 Condition B

Delta Electronics Manufacturing's SMP interfaces are in accordance with DSCC 94007, 94008 and MIL-STD-348A.

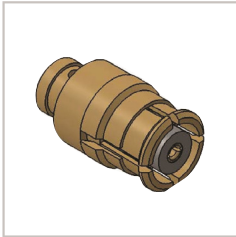
\*These specifications are typical and may not apply to all connectors. Detailed specifications for individual connectors are available upon request.

## SMP Test Data

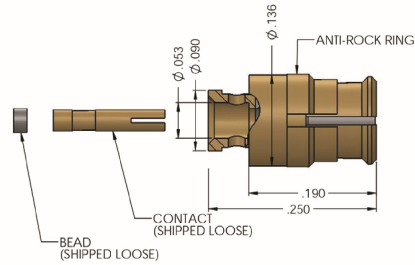


SMP “Bullet” adapter tested using an SMK (2.92) female to a SMP male and a 2.92 calibration kit. The adapters are gated out and the VSWR plot shown is representative of the “Bullet” adapter only. These results are typical and valid only for connectors set up for testing in the configuration shown. Other circuitry characteristics will affect the VSWR of the completed component.

## Direct Solder Females

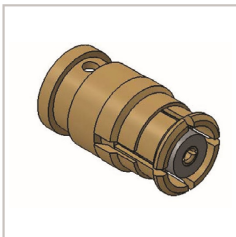


**Assembly Procedure**  
For trim code please contact the factory.

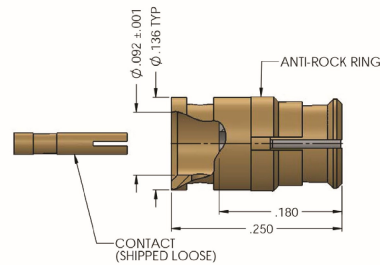


**8608111G001-001**

Direct Solder Female for .047 Dia S/R Cable

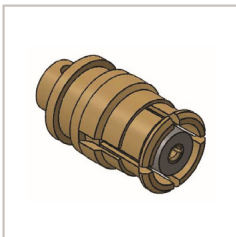


**Assembly Procedure**  
Trim Code: N/01

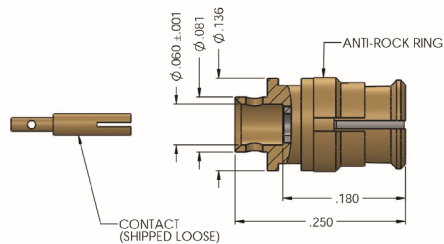


**8608094G001-000**

Direct Solder Female for .085 Dia S/R Cable

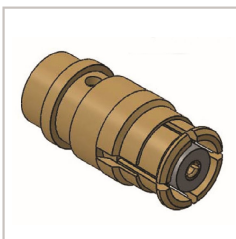


**Assembly Procedure**  
Trim Code: N/01

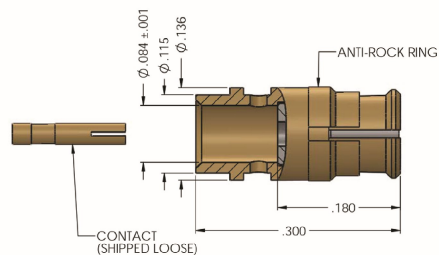


**8608038G001-000**

Direct Solder Female for RG 178 Cable



**Assembly Procedure**  
Trim Code: N/01

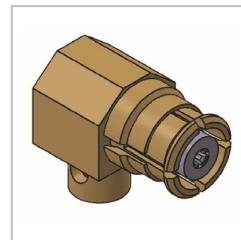
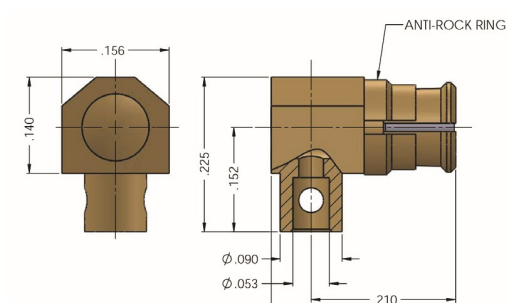


**8608037G001-000**

Direct Solder Female for RG 316 Cable

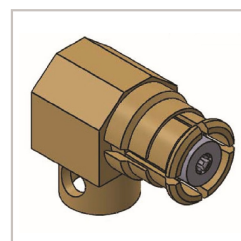
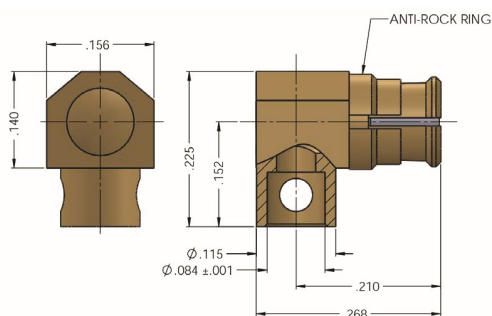
See Page 33-35 for Assembly Instructions

## Cable Mount Male & Female - Direct Solder



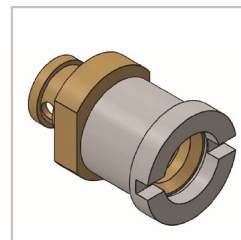
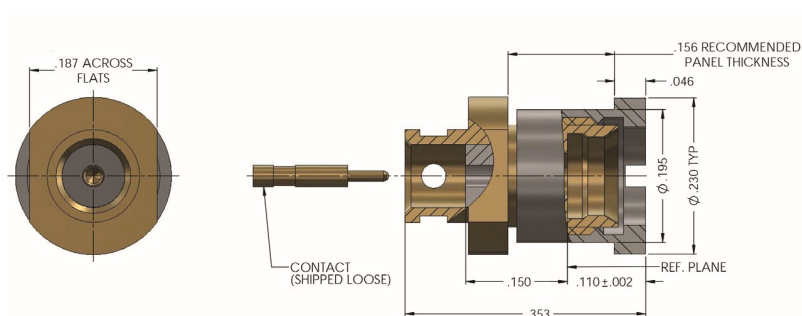
Assembly Procedure  
Trim Code: J/05

**8676111G001-000**  
R/A Female for .047 Dia S/R Cable



Assembly Procedure  
Trim Code: J/05

**8676037G001-000**  
R/A Female RG 316 Cable

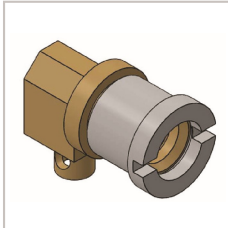


Assembly Procedure  
Trim Code: N/01

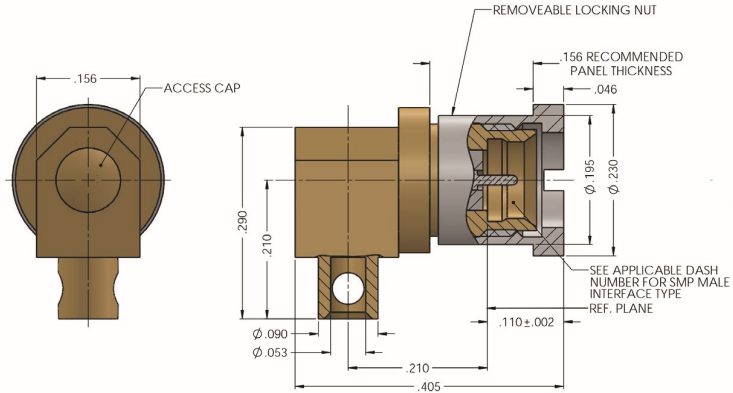
**8601094G001-000**  
Direct Solder Panel Mount FD Male for .085 Dia S/R Cable  
See Pages 33-35 for Assembly Instructions



## Right Angle Cable Mount Males

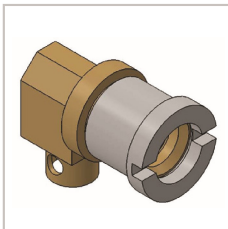


Dash Number	Interface Type
-003	CM
-002	SB
-001	LD
-000	FD

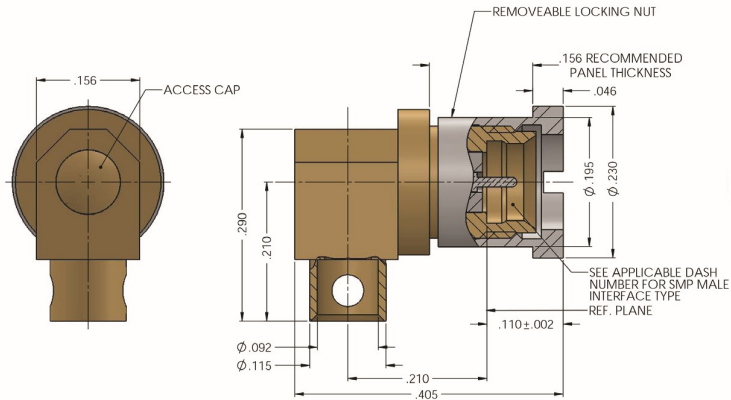


**867211G001-XXX**  
 R/A Male for .047 Dia S/R Cable

Assembly Procedure  
 Trim Code: J/05

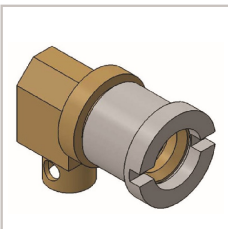


Dash Number	Interface Type
-003	CM
-002	SB
-001	LD
-000	FD

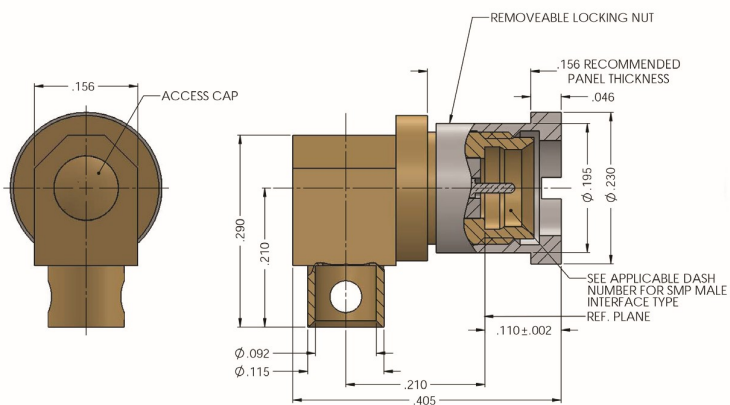


**8672094G001-XXX**  
 R/A Male for .085 S/R Cable

Assembly Procedure  
 Trim Code: J/05



Dash Number	Interface Type
-003	CM
-002	SB
-001	LD
-000	FD

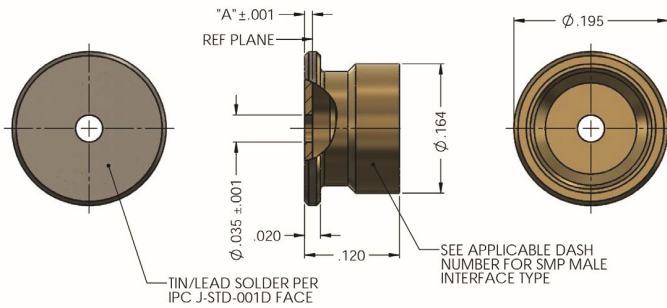


**8672037G001-XXX**  
 R/A Male for RG 316 Cable

Assembly Procedure  
 Trim Code: J/05

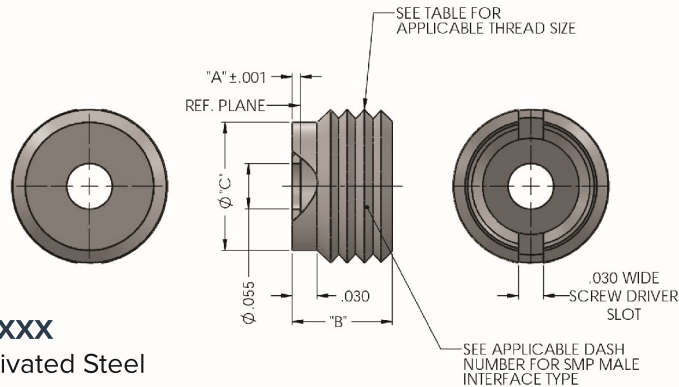
See Pages 33-35 for Assembly Instructions

## Shrouds



**8600000G003-XXX**  
Solder-On Shroud

Dash Number	Dimensions		Interface Type
	A	B	
-012	.040	.150	SB
-011	.040	.150	LD
-010	.040	.150	FD
-009	.030	.140	SB
-008	.030	.140	LD
-007	.030	.140	FD
-006	.020	.130	SB
-005	.020	.130	LD
-004	.020	.130	FD
-003	.010	.120	SB
-002	.010	.120	LD
-001	.010	.120	FD



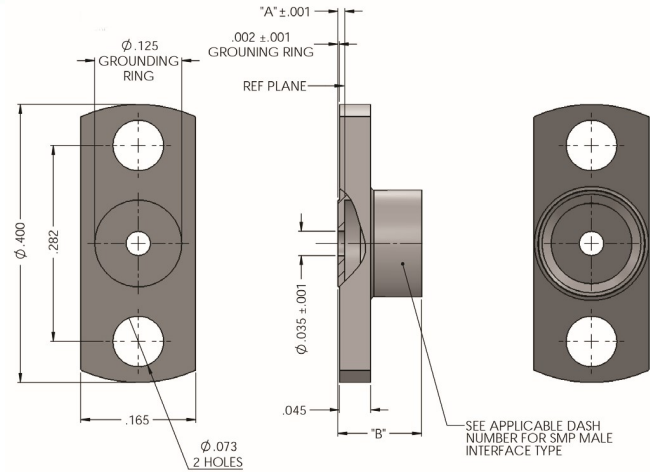
**8624000K910 - XXX**  
Thread-In Shroud - Passivated Steel

Delta P/N	Dimensions			Thread	SMP Interface Type
	A	B	C		
8624000K910-016	.040	.150	.190	12-56-UNS-2A	Catcher's Mitt
8624000K910-015	.030	.140	.190	12-56-UNS-2A	Catcher's Mitt
8624000K910-014	.020	.130	.190	12-56-UNS-2A	Catcher's Mitt
8624000K910-013	.010	.120	.190	12-56-UNS-2A	Catcher's Mitt
8624000K910-012	.040	.150	.154	10-48-UNS-2A	Smooth Bore
8624000K910-011	.040	.150	.154	10-48-UNS-2A	Limited Detent
8624000K910-010	.040	.150	.154	10-48-UNS-2A	Full Detent
8624000K910-009	.030	.140	.154	10-48-UNS-2A	Smooth Bore
8624000K910-008	.030	.140	.154	10-48-UNS-2A	Limited Detent
8624000K910-007	.030	.140	.154	10-48-UNS-2A	Full Detent
8624000K910-006	.020	.130	.154	10-48-UNS-2A	Smooth Bore
8624000K910-005	.020	.130	.154	10-48-UNS-2A	Limited Detent
8624000K910-004	.020	.130	.154	10-48-UNS-2A	Full Detent
8624000K910-003	.010	.120	.154	10-48-UNS-2A	Smooth Bore
8624000K910-002	.010	.120	.154	10-48-UNS-2A	Limited Detent
8624000K910-001	.010	.120	.154	10-48-UNS-2A	Full Detent

Please contact the factory for mounting instructions. - See page 10 for accessory pins.

## Shrouds - Flange Mount

Dash Number	Dimensions		Interface Type
	A	B	
-012	.040	.150	SB
-011	.040	.150	LD
-010	.040	.150	FD
-009	.030	.140	SB
-008	.030	.140	LD
-007	.030	.140	FD
-006	.020	.130	SB
-005	.020	.130	LD
-004	.020	.130	FD
-003	.010	.120	SB
-002	.010	.120	LD
-001	.010	.120	FD



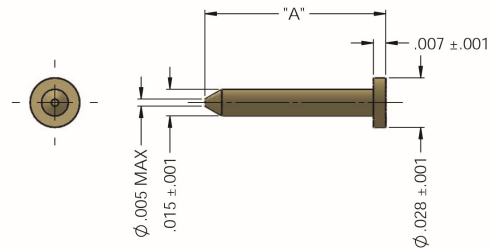
### 8659000K910 - XXX

Shroud, 2 Hole Panel Mount - Passivated Steel

## Accessory Pins

Dash Number	Dimensions	Interface Type
	A	
-03	.132 ± .001	.062
-02	.117 ± .001	.047
-01	.102 ± .001	.032

Please contact the factory for additional pin variations.

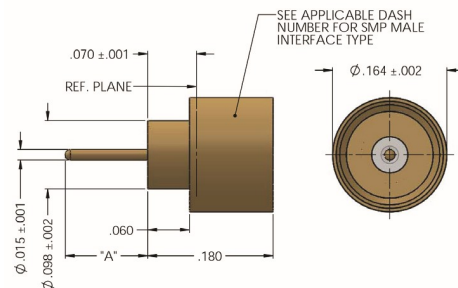


### 81-10384 -XX - AU

SMP Accessory Pin

## Solder-In Hermetically Sealed Male

Dash Number	Dimensions	Interface Type
	A	
-039	.090	SB
-038	.070	SB
-037	.050	SB
-036	.030	SB
-035	.090	LD
-034	.070	LD
-033	.050	LD
-032	.030	LD
-031	.090	FD
-030	.070	FD
-029	.050	FD
-028	.030	FD



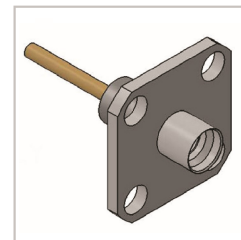
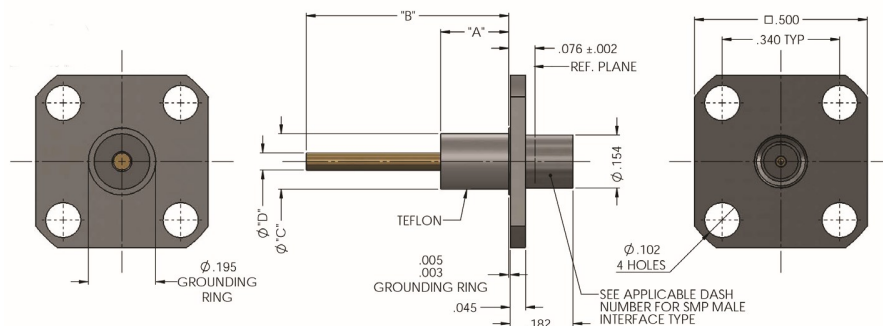
### 8624000G918 - XXX

Solder-In Hermetically Sealed Male, Extended Post Contact

Please contact the factory for mounting instructions.

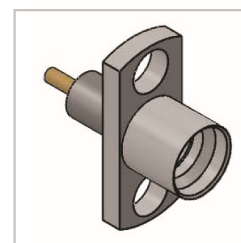
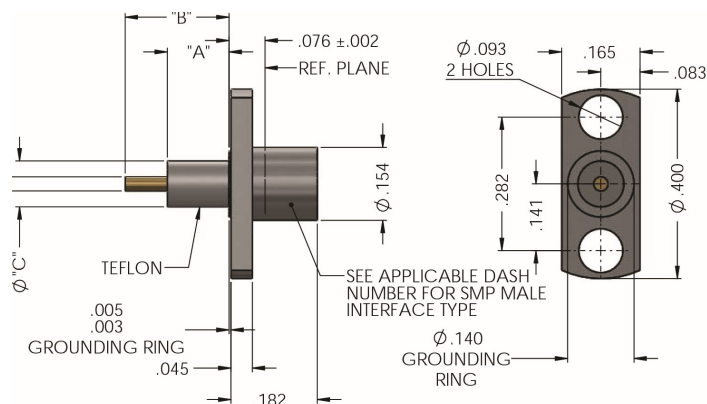


## Panel Mounts



**8659000K051 - XXX**  
Panel Mount, 4 Hole, Male  
Passivated Steel

Delta P/N	Dimensions				SMP Interface Type
	A	B	C	D	
8659000K051-009	.040	.070	.056	.018	Smooth Bore
8659000K051-008	.040	.070	.056	.018	Full Detent
8659000K051-007	.040	.070	.056	.018	Limited Detent
8659000K051-006	.150	.250	.097	.030	Smooth Bore
8659000K051-005	.150	.250	.097	.030	Full Detent
8659000K051-004	.150	.250	.097	.030	Limited Detent
8659000K051-003	.197	.393	.161	.050	Smooth Bore
8659000K051-002	.197	.393	.161	.050	Full Detent
8659000K051-001	.197	.393	.161	.050	Limited Detent

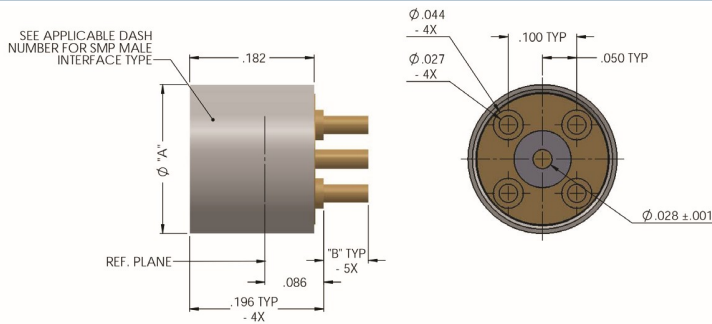


**8659000K911 - XXX**  
Panel Mount, 2 Hole, Male  
Passivated Steel

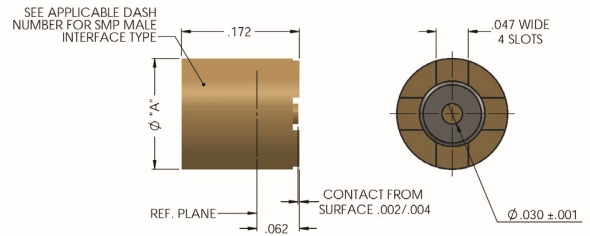
Delta P/N	Dimensions				SMP Interface Type
	A	B	C	D	
8659000K911-010	.040	.070	.056	.018	Smooth Bore
8659000K911-009	.040	.070	.056	.018	Full Detent
8659000K911-008	.040	.070	.056	.018	Limited Detent
8659000K911-007	.150	.250	.097	.030	Smooth Bore
8659000K911-006	.150	.250	.097	.030	Full Detent
8659000K911-005	.150	.250	.097	.030	Limited Detent

Please contact the factory for mounting instructions.

## PCB Mount Males



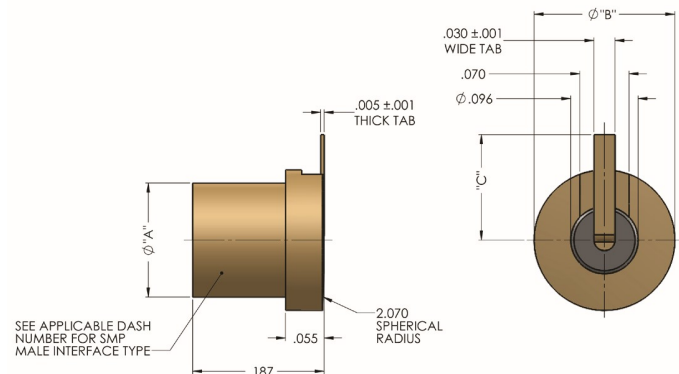
**Figure 1**  
**8668000G001 - XXX**  
PCB Feed Through



**Figure 2**  
**8668000G91P - XXX**  
Surface Mount

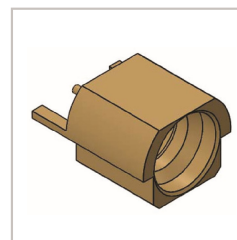
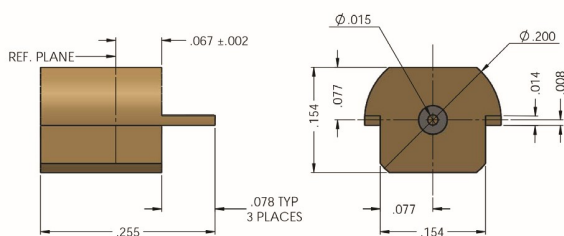
Figure	Delta P/N	Dimensions		SMP Interface Type
		A	B	
1	8668000G001-025	.235	.140	Catcher's Mitt
	8668000G001-024	.218	.140	Smooth Bore
	8668000G001-023	.218	.140	Full Detent
	8668000G001-022	.218	.140	Limited Detent
	8668000G001-021	.235	.100	Catcher's Mitt
	8668000G001-020	.218	.100	Smooth Bore
	8668000G001-019	.218	.100	Full Detent
	8668000G001-018	.218	.100	Limited Detent
	8668000G001-017	.235	.079	Catcher's Mitt
	8668000G001-016	.218	.079	Smooth Bore
	8668000G001-015	.218	.079	Full Detent
	8668000G001-014	.218	.079	Limited Detent
2	8668000G91P-017	.235		Catcher's Mitt
	8668000G91P-016	.218		Smooth Bore
	8668000G91P-015	.218		Full Detent
	8668000G91P-014	.218		Limited Detent

Dash Number	Dimensions			Interface Type
	A	B	C	
-013	.235	.275	.200	CM
-012	.162	.200	.150	SB
-011	.162	.200	.150	FD
-010	.162	.200	.150	LD



**8667000G91P - XXX**  
Surface Mount Male - Right Angle Tab Contact  
Please contact the factory for mounting instructions.

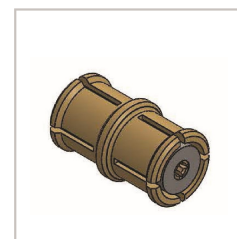
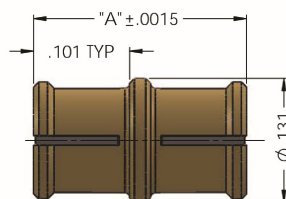
## Edge Mount Males



Delta P/N	SMP Interface Type
8668000G911-003	Smooth Bore
8668000G911-002	Full Detent
8668000G911-001	Limited Detent

**8668000G911- XXX**  
Edge Mount PCB Male

## Female to Female “Bullet Adapters



Delta P/N	Dimensions
	A
8628000G001-016	.344
8628000G001-015	.314
8628000G001-014	.270
8628000G001-013	.254
8628000G001-012	.224

Please contact the factory for additional lengths.

**8628000G001 - XXX**  
Female to Female “Bullet” Adapters

Please contact the factory for mounting instructions.



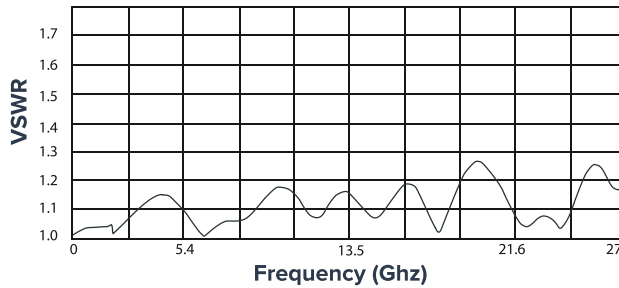
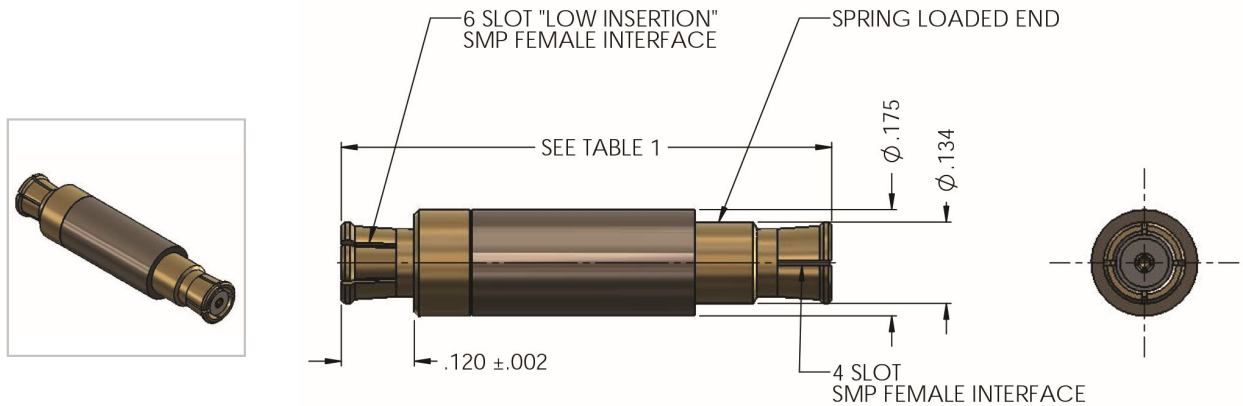
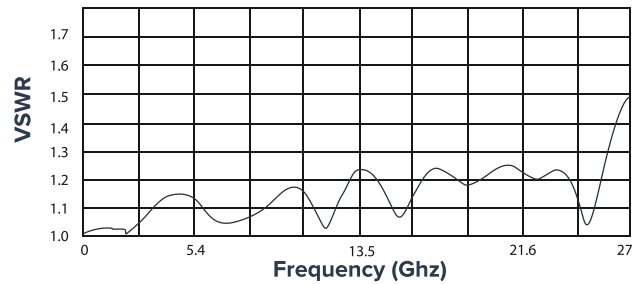
## Spring Loaded - SMP Female to Female “Bullet” Adapter

**Feature:**

- Increased axial & radial float
- One side has as a low insertion SMP interface
- High compression load on interfaces

**Benefit:**

- Enhanced self alignment during mating
- Consistently un-mate from the same end
- Improved VSWR at higher frequencies

**VSWR**
**Uncompressed**

**Compressed**

**VSWR:** 1.5:1 Max

**Frequency Range:** DC - 26.5 GHz

**Float:** Axial .075 / Radial .015

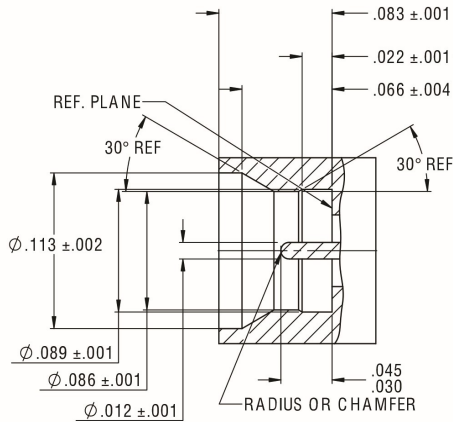
Delta P/N	Uncompressed Length	Fully Compressed Length
8628000G911-005	1.075	1.000
8628000G911-004	.675	.600

Please contact the factory for additional lengths.

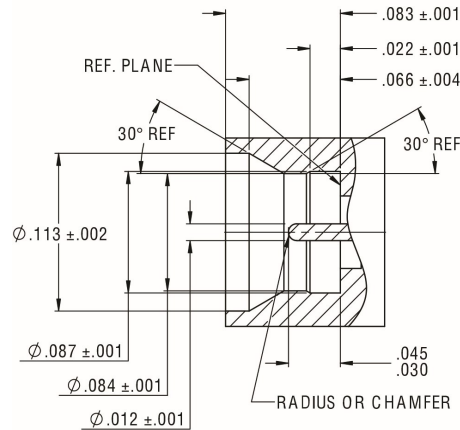
**8628000G911 - XXX**

Spring Loaded Female to Female “Bullet” Adapter

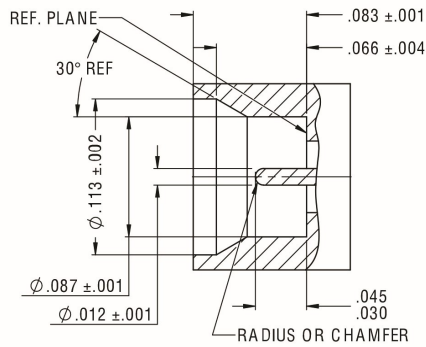
## SMPM Interfaces



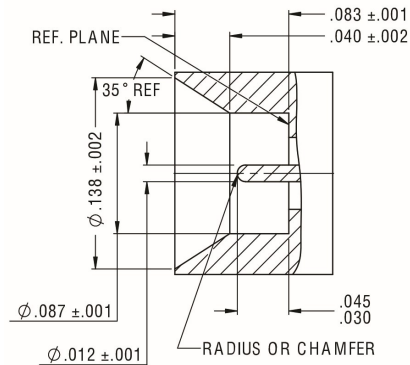
**SMPM (Limited Detent) Male**



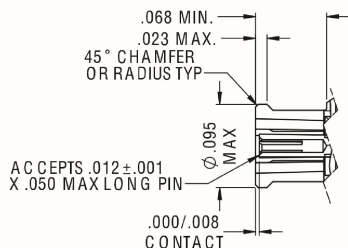
**SMPM (Full Detent) Male**  
PER MIL-STD-348A - Figure 328.2



**SMPM (Smooth Bore) Male**  
PER MIL-STD-348A - Figure 328.3



**SMPM (Catchers Mitt) Male**



**SMPM Female**  
PER MIL-STD-348A - Figure 328.1

### SMPM Connectors DC - 65 GHz

Similar in functionality to the SMP series, the SMPM series is 30% smaller in size and offers an operational frequency range of DC to 65 GHz. Center to center mounting spacing is also reduced to .125 of an inch. This gives the SMPM series a distinct advantage in higher density module to module and board to board microwave applications.

For higher frequency board to board applications that require the minimum distance between boards, Delta offers a unique low profile "Bulletless" design - see Delta # 8869000G001-001 on page 19 for details.

## Electrical and Mechanical Specifications\*

### Electrical Specifications:

**Nominal Impedance:** 50 ohms

**Frequency Range:** DC-65 GHz

**Typical VSWR:** 1.20 Max thru 26.5 GHz ; 1.5 Max thru 65 GHz

**Insulation Resistance:** 5,000 megohms

**DWV (@sea level):** 500 Vrms

**Power Handling (@ sea level & ambient temp):**

90W – 5.5f (frequency)

**RF Leakage:** -80db to 3 GHz, -65db from 3 to 65 GHz

### Mechanical Specifications:

**Durability:** 100 min (FD) ; 250 min (LD) ; 500 (SB & CM)

**Force to Engage:** 5.0 lbs typ (FD) ; 3.5 lbs typ (LD) ; 2 lbs typ (SB & CM)

**Force to Disengage:** 6.0 lbs typ (FD) ; 4.0 lbs typ (LD) ; 1.5 lbs typ (SB & CM)

**Contact Retention:** 2 lbs min.

**Minimum Center Line to Center Line Spacing:**

.125" (CM - .145")

**Radial Misalignment:** +/- .010"

**Axial Misalignment:** .010" Max

### Materials:

**Bodies/Shrouds:** Beryllium Copper Per ASTM B196 and/or ASTM B197 or Stainless Steel type 303, Condition A

**Outer Contacts:** Beryllium Copper Per ASTM B196 or ASTM B197

**Center Contacts:** Beryllium Copper Per ASTM B196 or ASTM B197

**Insulators:** PTFE Fluorocarbon per ASTM D1710

### Finishes:

**Bodies:** Gold Plate per MIL-G-45204, over Nickel Plate per SAE AMS-QQ-N-290 or Passivated per AMS-QQ-P-35

**Contacts:** Gold Plate per MIL-G-45204, over Nickel Plate per SAE AMS-QQ-N-290

### Environmental Specifications:

**Temperature Range:** -65° C to +165° C

**Shock:** Meets MIL-STD-202 Method 213, Condition I

**Vibration:** Meets MIL-STD-202 Method 204, Condition D

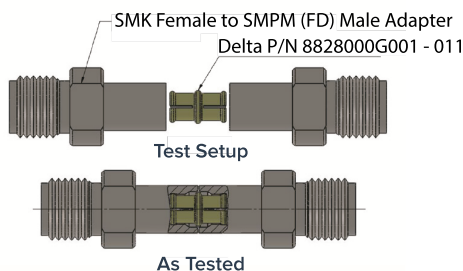
**Altitude:** Meets MIL-STD-202, Method 105 Condition C

**Thermal Shock:** Meets MIL-STD-202, Method 107 Condition B

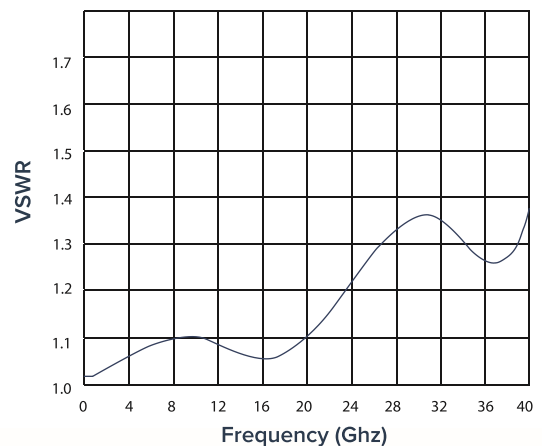
Delta Electronics Manufacturing's SMPM interfaces conform to MIL-STD-348A as well as industry standards for this series and are completely intermateable with other manufacturers SMPM series connectors.

\*These specifications are typical and may not apply to all connectors. Detailed specifications for individual connectors are available upon request.

## SMPM Test Data

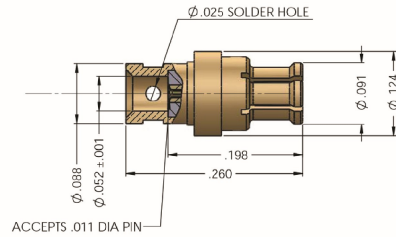


SMPM "Bullet" adapter tested using an SMK (2.92) female to SMPM male and a 2.92 calibration kit. The adapters are gated out and the VSWR plot shown is representative of the "Bullet" adapter only. These results are typical and valid only for connectors set up for testing in the configuration shown. Other circuitry characteristics will affect the VSWR of the completed component.



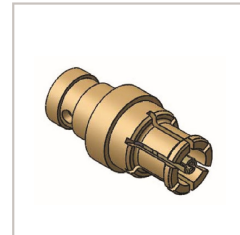


## Direct Solder Females

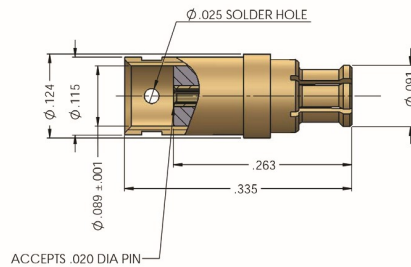


**8808111G003 - 000**

Female, Direct Solder "One Step" for .047 Semi Rigid Cable

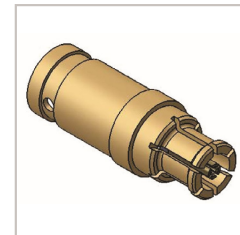


Assembly Procedure  
Trim Code: **P/01**

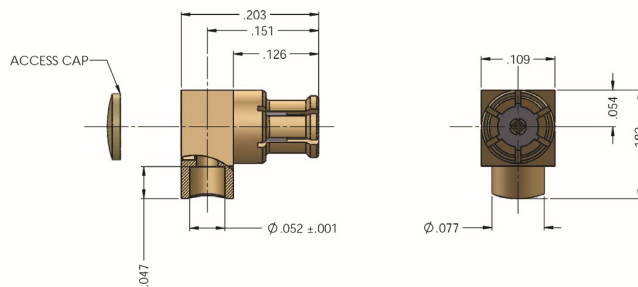


**8808094G001 - 003**

Female, Direct Solder "One Step" for .085 Semi Rigid Cable

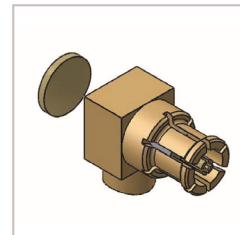


Assembly Procedure  
Trim Code: **P/01**

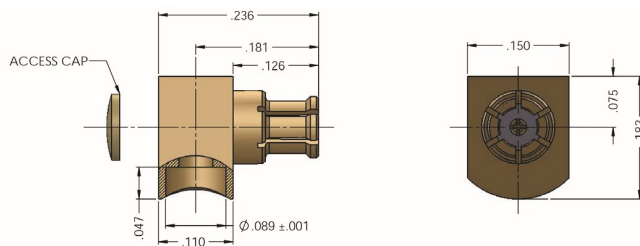


**8876111G003 - 000**

R/A Female, Direct Solder for .047 Semi Rigid Cable

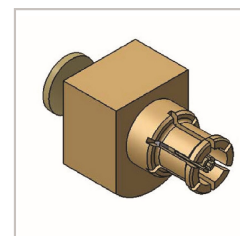


Assembly Procedure  
Trim Code: **J/05**

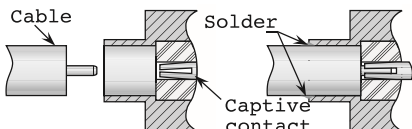


**8876094G003 - 000**

R/A Female, Direct Solder for .085 Semi Rigid Cable



Assembly Procedure  
Trim Code: **J/05**

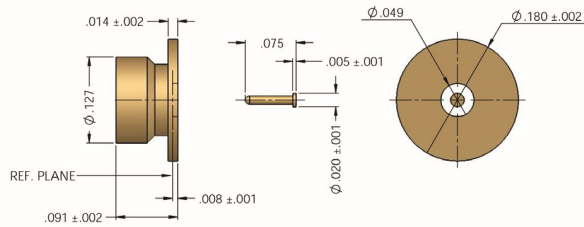
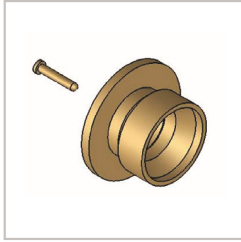


### Delta One-Step Cable Attachment for Semi-Rigid Cable

Delta "One - Step" connectors feature captivated contacts and insulators to allow rapid, easy assembly to semi-rigid cable - simply trim the cable jacket and dielectric flush, chamfer the center conductor, insert into the connector, and solder the jacket to the connector body.

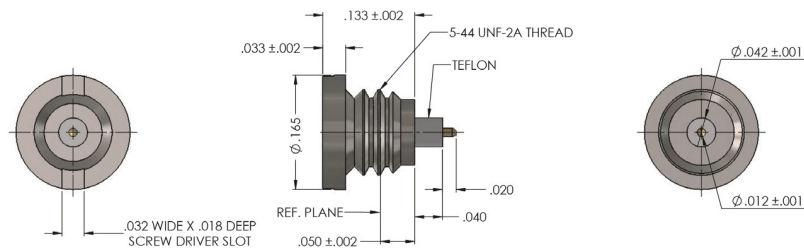
See page 33-35 for Assembly Instructions.

## Solder-On Shroud



**8800000G003 - 000**  
 Solder-On Shroud & Pin Assembly, **SB** Male

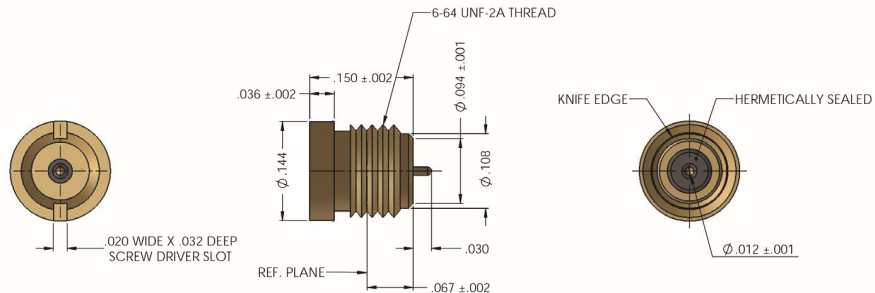
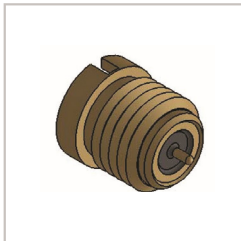
## Thread-In Male



Dash Number	Interface Type
-008	LD
-005	SB
-004	FD

**8824000K911 - XXX**  
 Thread-In Male - Passivated Steel

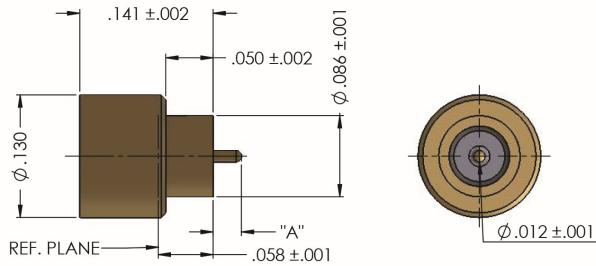
## Hermetically Sealed



**8824000G918 - 002**  
 Hermetically Sealed Knife Edge, **FD** Male

Please contact the factory for mounting instructions.

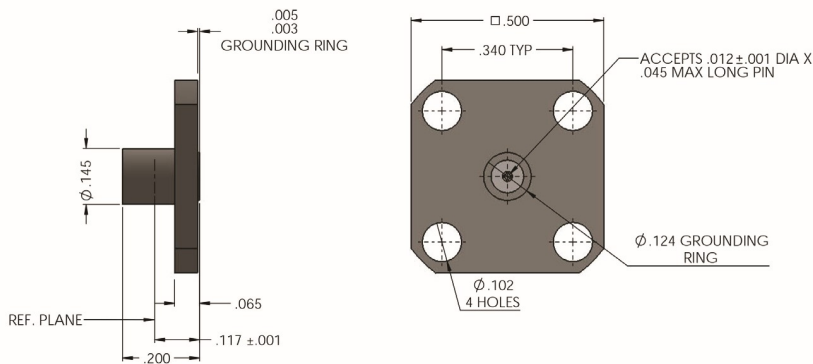
## Hermetically Sealed Solder-In Male



**8824000G918 - XXX**  
Hermetically Sealed  
Solder-In Male - Extended Pin

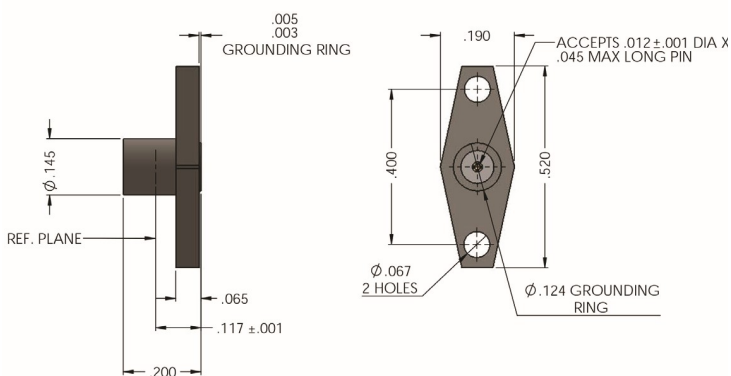
Dash Number	Dimensions	Interface Type
	A	
-027	.090	LD
-026	.090	SB
-025	.090	FD
-024	.070	LD
-023	.070	SB
-022	.070	FD
-021	.050	LD
-020	.050	SB
-019	.050	FD
-018	.030	LD
-017	.030	SB
-008	.030	FD

## Field Replaceable Panel Mounts - Accepts .012 Dia. Pin



Dash Number	Interface Type
-003	LD
-002	SB
-001	FD

**8859000K051 - XXX**  
Panel Mount - 4 Hole Male  
Passivated Steel



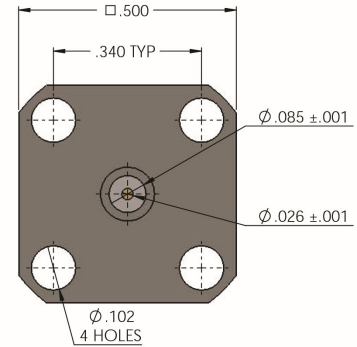
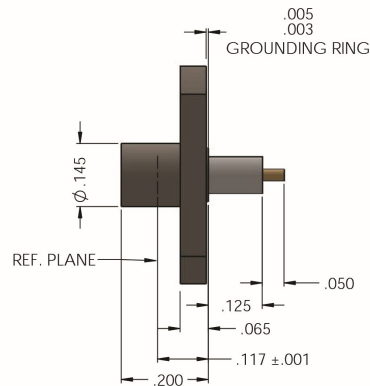
Dash Number	Interface Type
-002	LD
-001	SB
-000	FD

**8859000K911 - XXX**  
Panel Mount - 2 Hole Male  
Passivated Steel

Please contact the factory for mounting instructions.

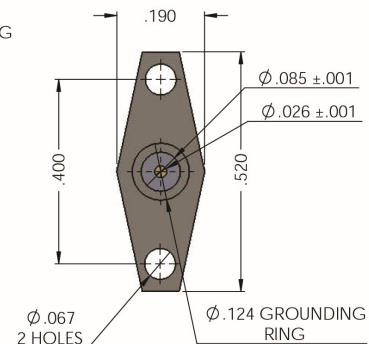
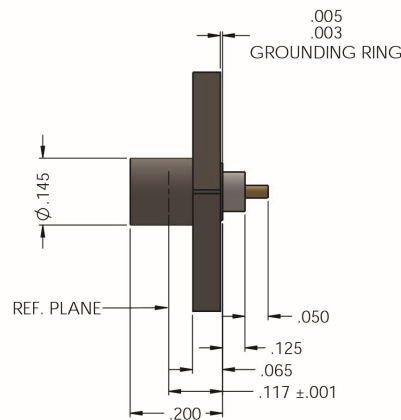
## Panel Mounts - Extended Teflon & Pin

Dash Number	Interface Type
-006	LD
-005	SB
-004	FD



**8859000K051 - XXX**  
Panel Mount - 4 Hole Male  
Passivated Steel

Dash Number	Interface Type
-005	LD
-004	SB
-003	FD

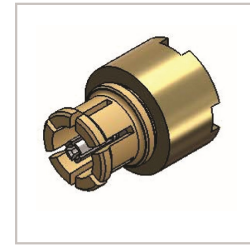
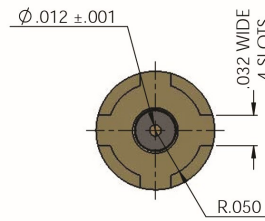
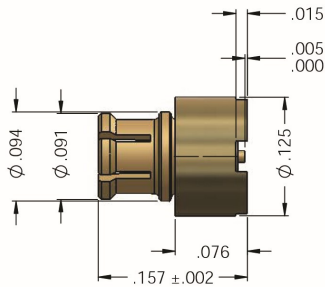


**8859000K911 - XXX**  
Panel Mount - 2 Hole Male  
Passivated Steel

Please contact the factory for mounting instructions.



## Surface/Float Mount Female



### 8869000G001 - 001

Surface/Float Mount Female - Post Contact

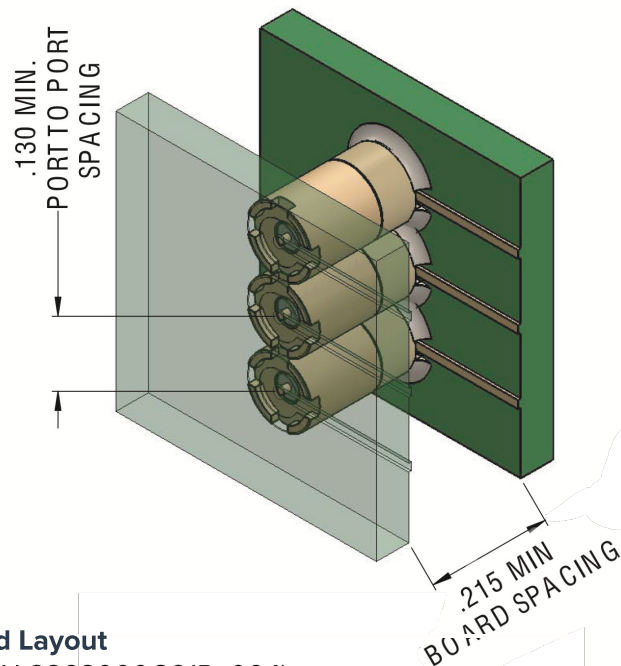
### Engineered Solutions

Today's market for low-profile board to board RF interconnects is demanding tighter spacing requirements. Delta offers engineered solutions for this market demand by supplying the lowest profile SMPM connector on the market today. Our unique design assists in reducing the overall package size, and offers the lowest industry package cost. Both the male and female connectors are surface mounted, with an offset center pin to allow for easy assembly to the PCB.

The design eliminates the need for a "Bullet" adapter between the two male SMPM connectors. The SMPM female has been incorporated into the PC Board mounted housing requiring only two connectors for the complete interconnect.

Excellent electrical and mechanical performance is still maintained when maximum misalignment conditions occur. Both connectors have a fully captivated center contact eliminating the need for any secondary soldering operation of the contact. The female connector may be mated with any other SMPM male housing. If further reduction in board spacing is needed, designers can choose from a number of shroud and pin assemblies Delta offers.

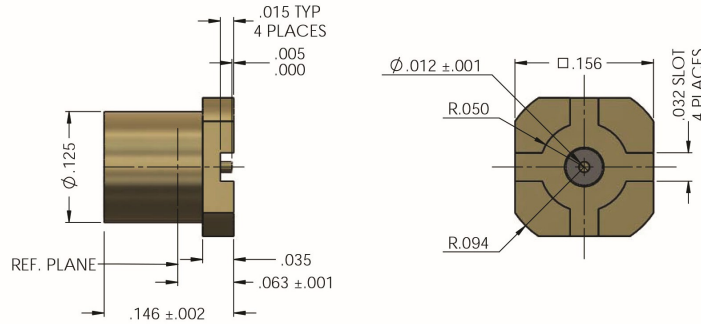
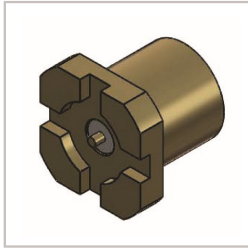
Simplification of the assembly and overall cost reduction makes the low profile surface mount SMPM female a simple solution.



**Typical Board Layout**  
(Shown mated with Delta P/N 8868000G91P- 004)

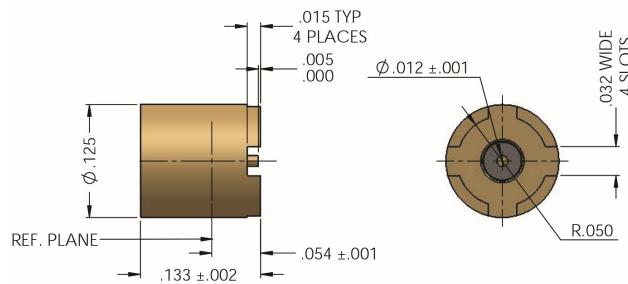
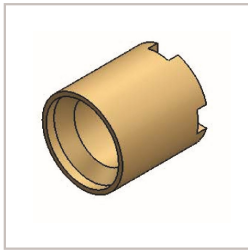
Please contact the factory for mounting instructions.

## Surface Mount Males



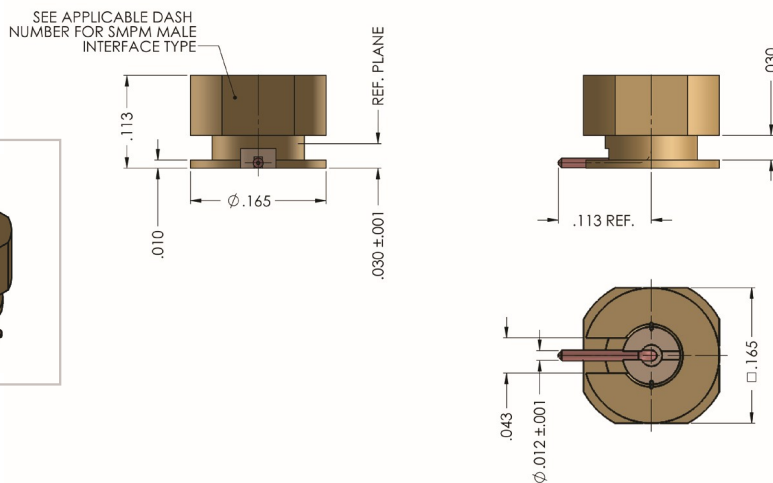
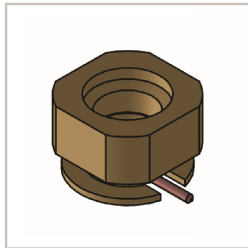
Dash Number	Interface Type
-007	LD
-006	SB
-005	FD

**8868000G001 - XXX**  
Surface Mount Male, Post Contact



Dash Number	Interface Type
-006	LD
-005	FD
-004	SB

**8868000G91P - XXX**  
Surface Mount Male, Post Contact



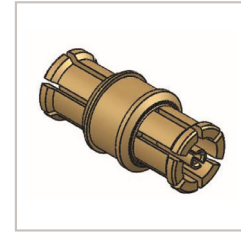
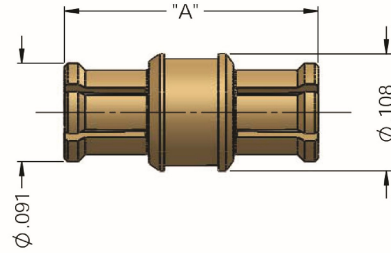
Dash Number	Interface Type
-013	CM
-012	SB
-011	FD
-010	LD

**8868000G91P - XXX**  
Surface Mount Male, Right Angle Post Contact

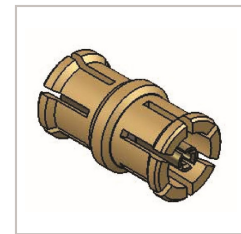
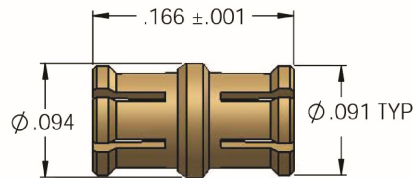
Please contact the factory for mounting instructions.

## Female to Female Bullet Adapters

Dash Number	Interface Type
-011	.236
-004	.315
-003	.290
-002	.265
-001	.210



**8828000G001 - XXX**  
Female to Female "Bullet" Adapters



**8828000G001 - 014**  
Female to Female "Bullet" Adapters  
Low Profile

Please contact the factory for mounting instructions.



## Delta's Bullet Adapters

Delta's SMP, SMPM and SMPS are made in a variety of different lengths both solid and spring loaded.

If you need a defined length, tell us what you want/need and we'll provide a solution to your request.

We excel at developing cost-effective customized designs to meet your specific need. Don't settle, reach out to Delta to receive exactly what you require.

**Delta's SMPS Bullets**

Delta's smallest member of our SMPM family is the SMPS.

SMPS Connectors DC-18 GHz (Economical Line)

DC - 65 GHz (High Frequency Line).

**Delta's SMPS**

SMPS Connectors DC-18 GHz (Economical Line) DC - 65 GHz (High Frequency Line)

Similar in functionality to the SMPM series, the SMPS series is 30% smaller than the SMPM series. While the SMPS construction allows for higher frequencies up to 65 GHz, Delta recognized applications where low interface board-board interconnects were in demand typically did not range above 18 GHz. For this reason Delta has developed 2 lines – The Economical Line (E-Line) and HF Line of SMPS. For higher frequency applications ranging above 40 GHz, tightly tolerance components and extreme handling and processing is required. The end result is a higher manufacturing cost.

The SMPS series has a center to center mounting spacing of .078 of an inch and a minimum board to board spacing of .125" when utilizing its smallest bullet adapter (.098") and shrouds

(.015 board to reference plane). Board mounts are supplied in numerous configurations – surface mount, thru mount and edge mount and bullets lengths range from .098 to .500" in length for the standard product offerings. Contact Delta today with your design requirements and our engineering team will offer you to most cost effective solution.

## SMPS Electrical & Mechanical Specifications

### Electrical Specifications:

**Nominal Impedance:** 50 ohms

**Frequency Range:** DC-65 GHz

**Typical VSWR:** 1.20 Max thru 26.5 GHz ; 1.5 Max thru 65 GHz

**Insulation Resistance:** 3,500megohms

**DWV (@sea level):** 250 Vrms

**RF Leakage:** -80db to 3 GHz, -65db from 3 to 65 GHz

### Mechanical Specifications:

**Durability:** 100 min (FD) ; 250 min (LD) ; 500 (SB & CM)

**Force to Engage:** 4 lbs typ (FD) ; 2 lbs typ (SB & CM)

**Force to Disengage:** 6.0 lbs typ (FD) ; 3 lbs typ (SB & CM)

**Contact Retention:** 1.5 lbs min.

**Minimum Center Line to Center Line Spacing:** .078"

**Radial Misalignment:** +/- .010"

**Axial Misalignment:** .010" Max

### Materials:

**Bodies/Shrouds:** Beryllium Copper Per ASTM B196 and/or ASTM B197 or Stainless Steel type 303, Condition A .

**Outer Contacts:** Beryllium Copper Per ASTM B196 or ASTM B197 .

**Center Contacts:** Beryllium Copper Per ASTM B196 or ASTM B197 .

**Insulators:** PTFE Fluorocarbon per ASTM D1710 or Torlon per MIL-P-46179

### Finishes:

**Bodies:** Gold Plate per MIL-G-45204, over Nickel Plate per SAE AMS-QQ-N-290 or Passivated per AMS-QQ-P-35 .

**Contacts:** Gold Plate per MIL-G-45204, over Nickel Plate per SAE AMS-QQ-N-290

### Environmental Specifications:

**Temperature Range:** -65° C to +165° C

**Shock:** Meets MIL-STD-202 Method 213, Condition I

**Vibration:** Meets MIL-STD-202 Method 204, Condition D

**Altitude:** Meets MIL-STD-202, Method 105 Condition C

**Thermal Shock:** Meets MIL-STD-202, Method 107 Condition B

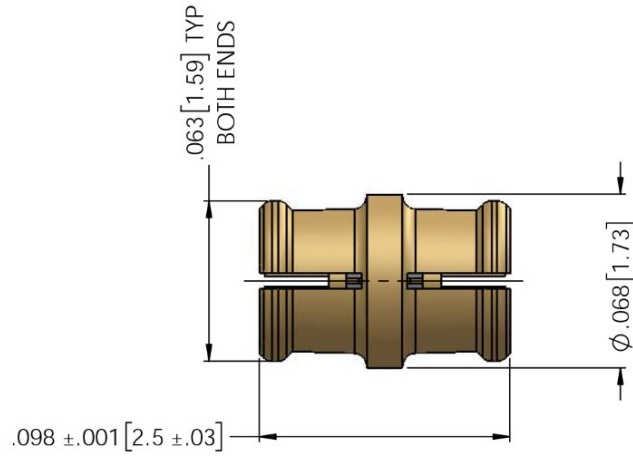
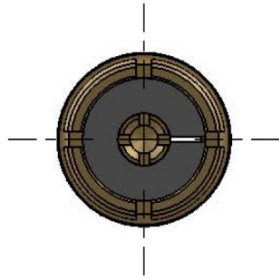
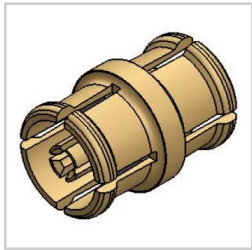
---

\*These specifications are typical and may not apply to all connectors. Detailed specifications for individual connectors are available upon request.

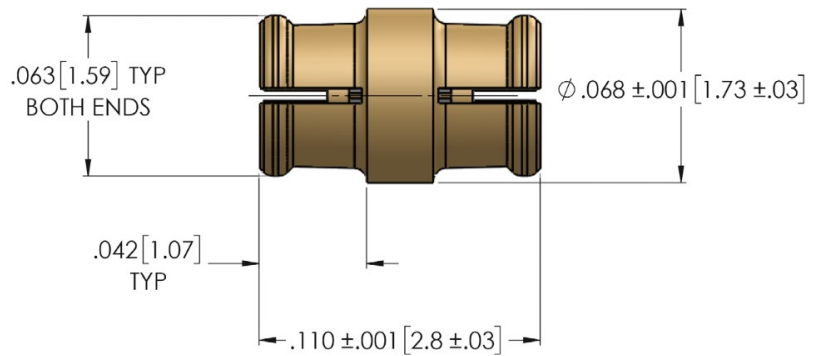
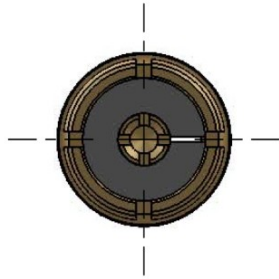
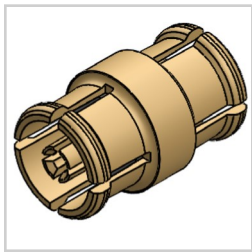




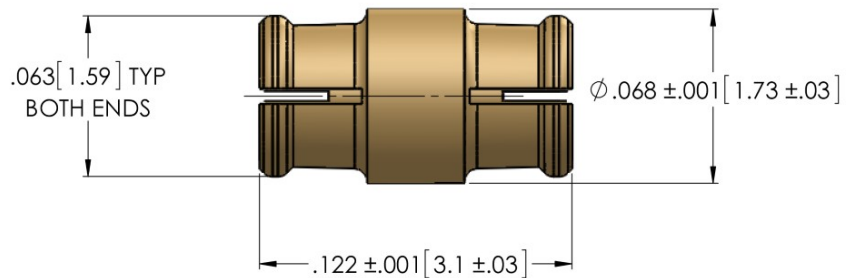
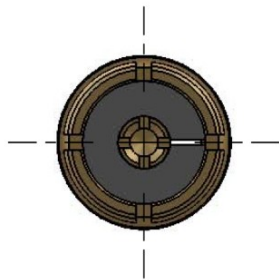
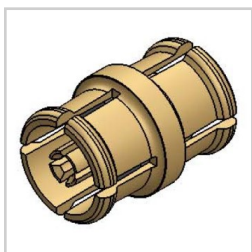
## Female to Female Bullet Adapters



**9328000G001-001**  
Female to Female Bullet Adapter

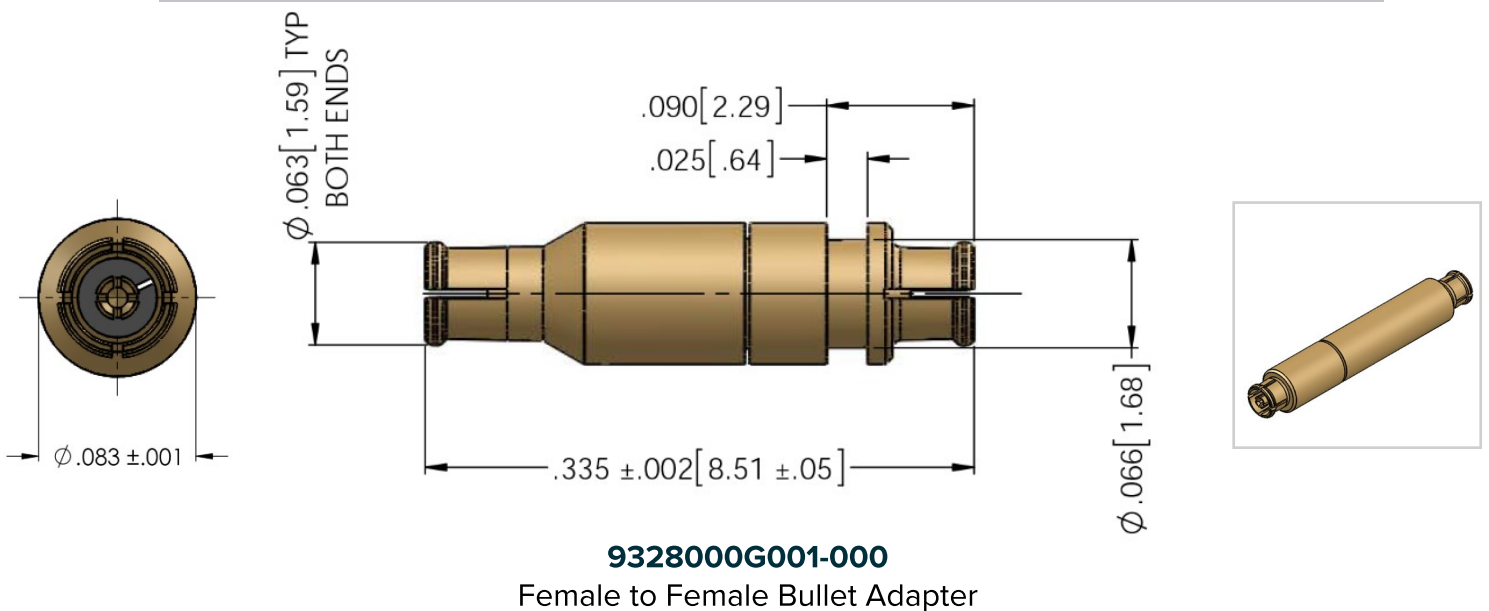
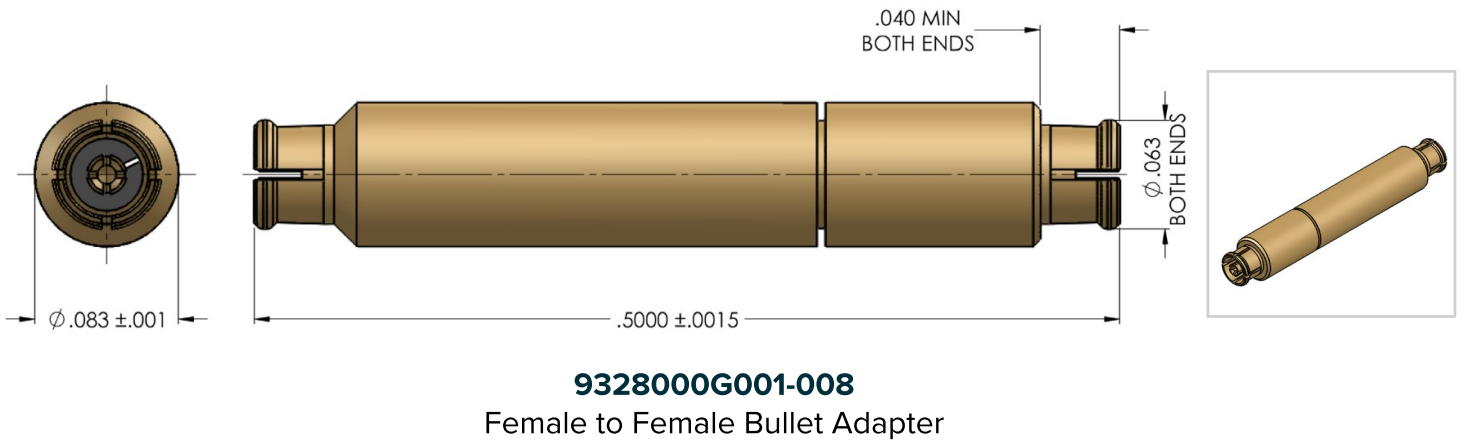
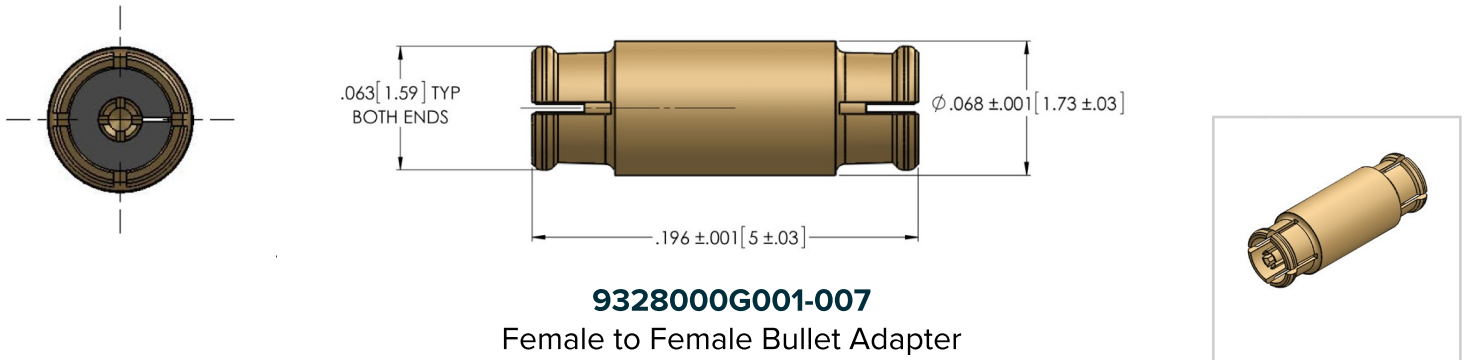


**9328000G001-012**  
Female to Female Bullet Adapter

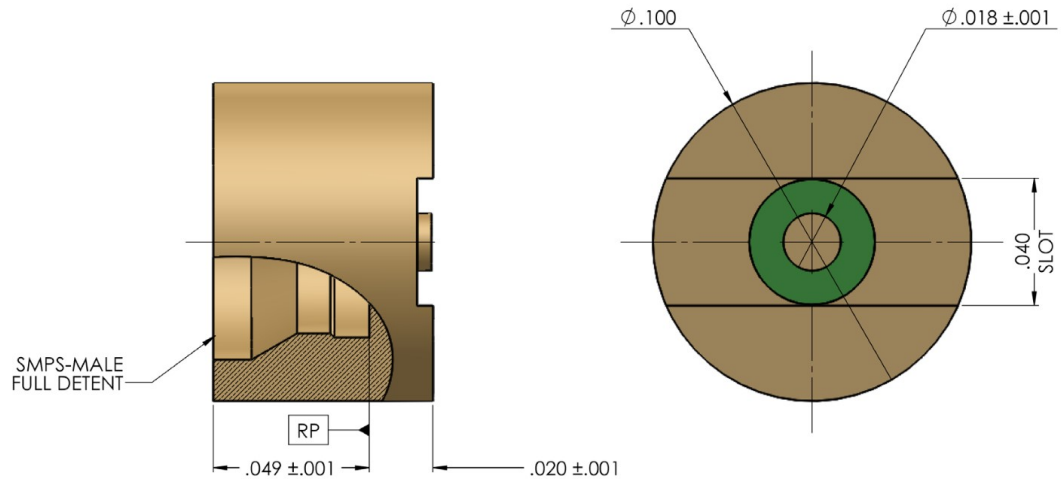
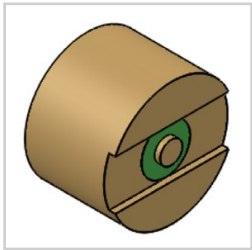
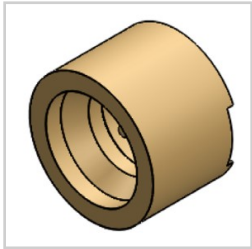


**9328000G001-006**  
Female to Female Bullet Adapter

## Female to Female Bullet Adapters

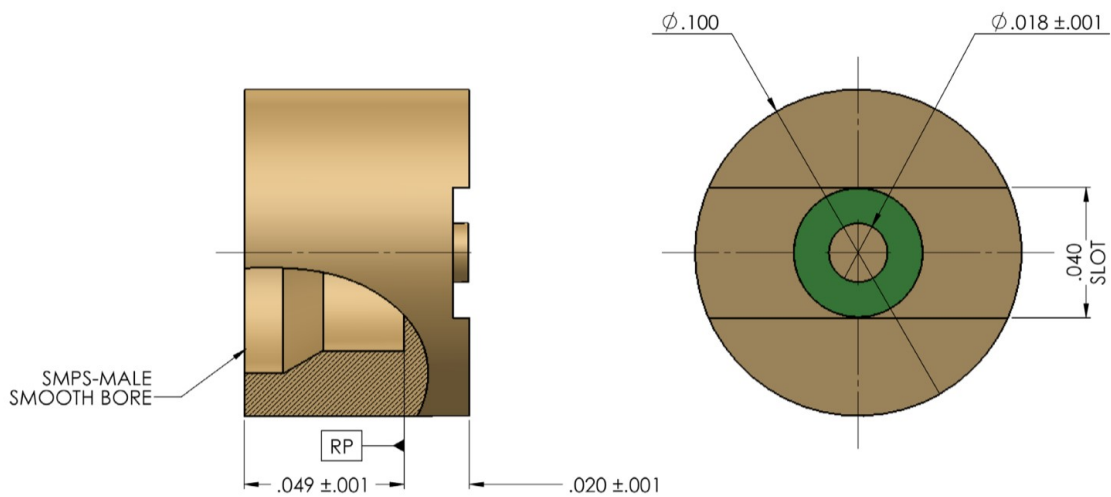
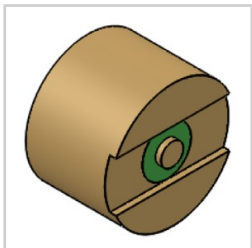
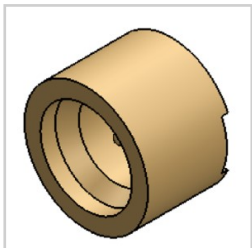


## Surface Mount Males



**9368000G91P-006**

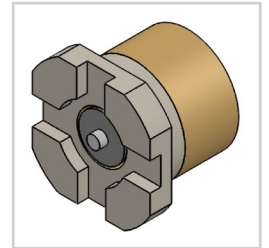
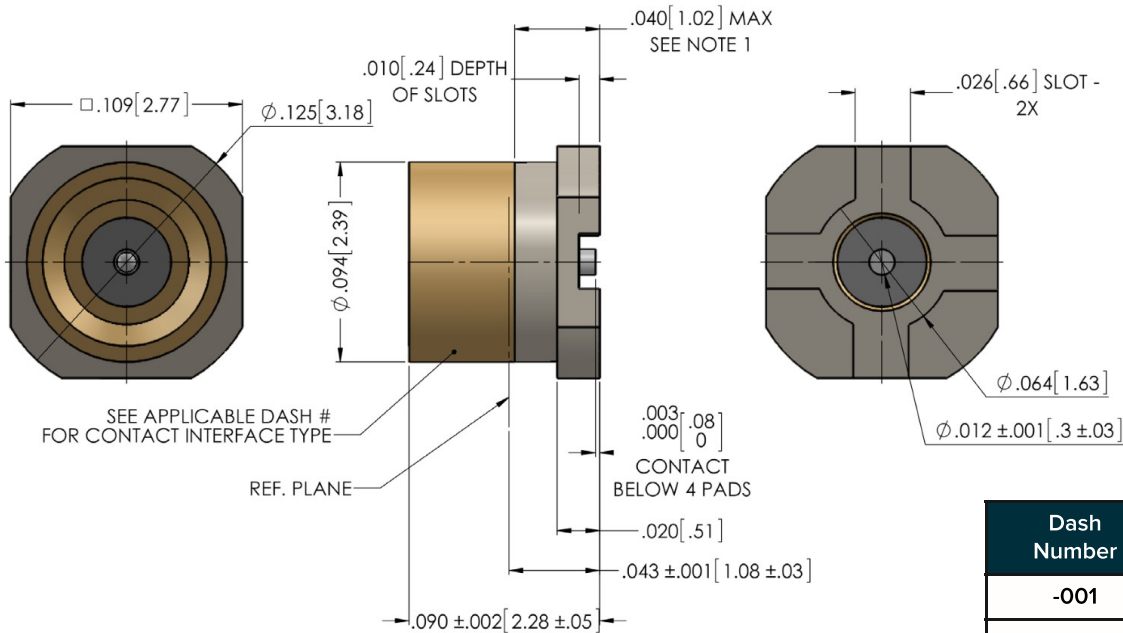
Straight PCB Surface Mount Receptacle  
Full Detent



**9368000G91P-007**

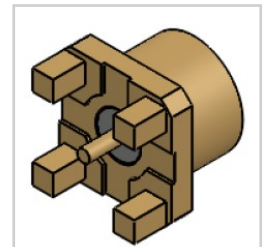
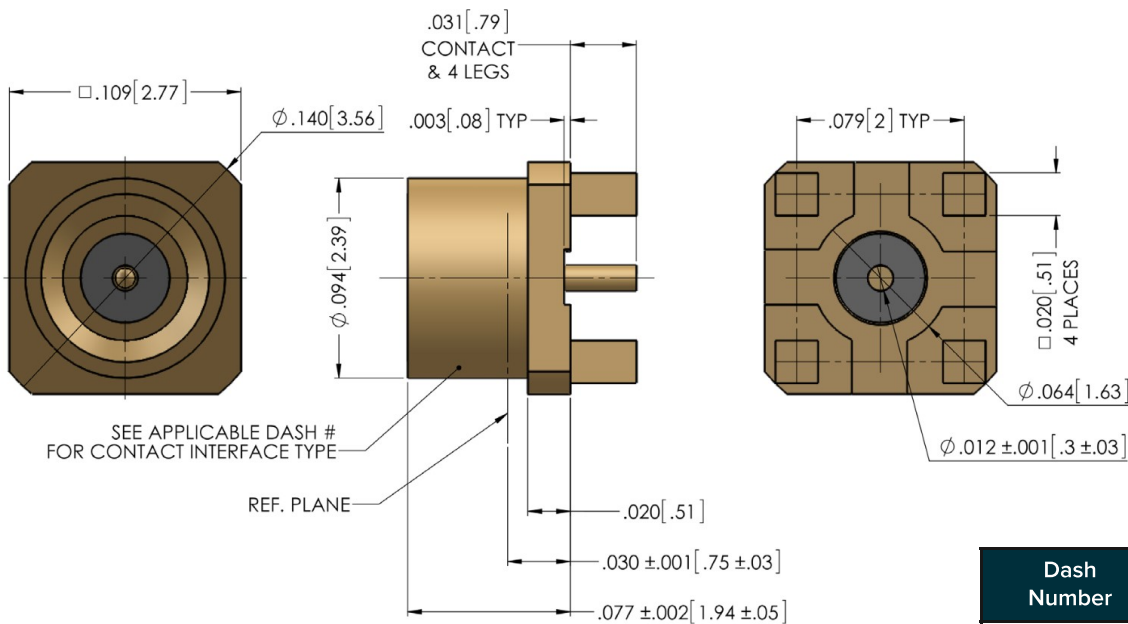
Straight PCB Surface Mount Receptacle  
Smooth Bore

## PCB Mounts



Dash Number	Interface
-001	Full Detent (FD)
-002	Smooth Bore (SB)

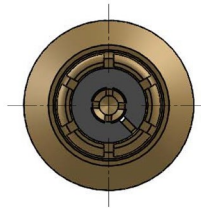
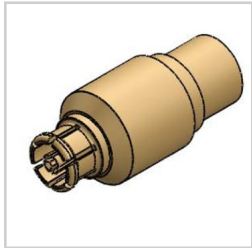
**9368000G001-\***  
PCB Mount Male - Post Contact



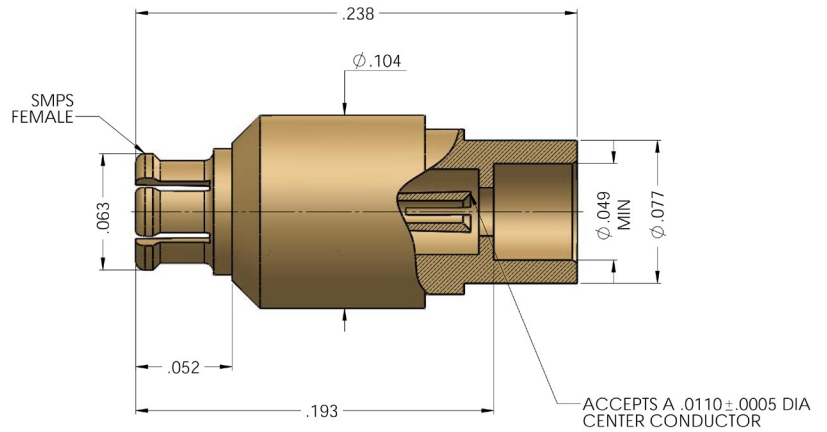
Dash Number	Interface
-003	Smooth Bore (SB)
-004	Full Detent (FD)

**9368000G001-\***  
PCB Mount Male - Post Contact

## Cable Connectors

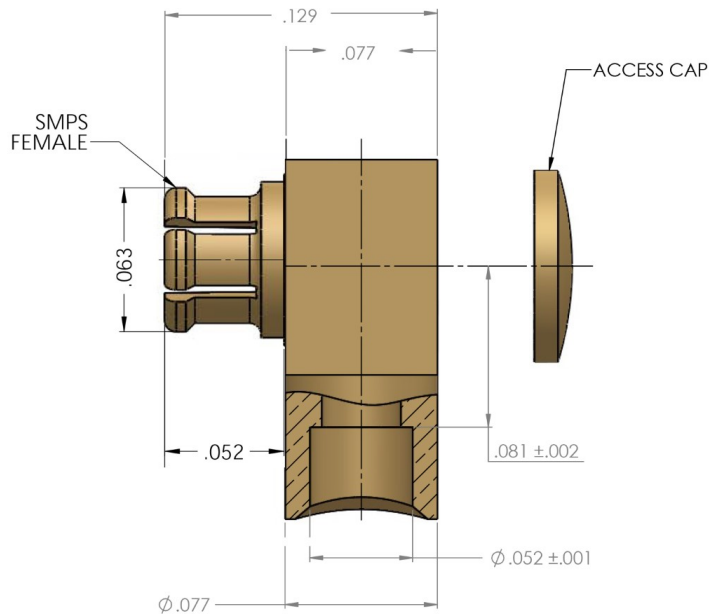
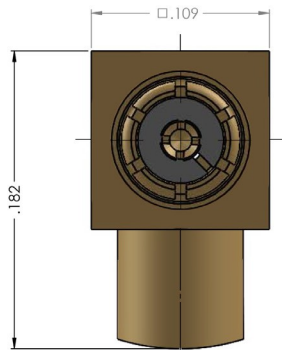
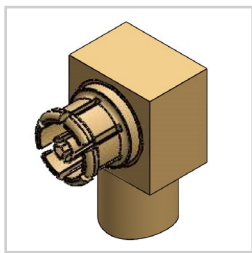


SM  
FEMALE



**9308000G003-000**

Direct Solder Female  
.047 SR or Flex Cable

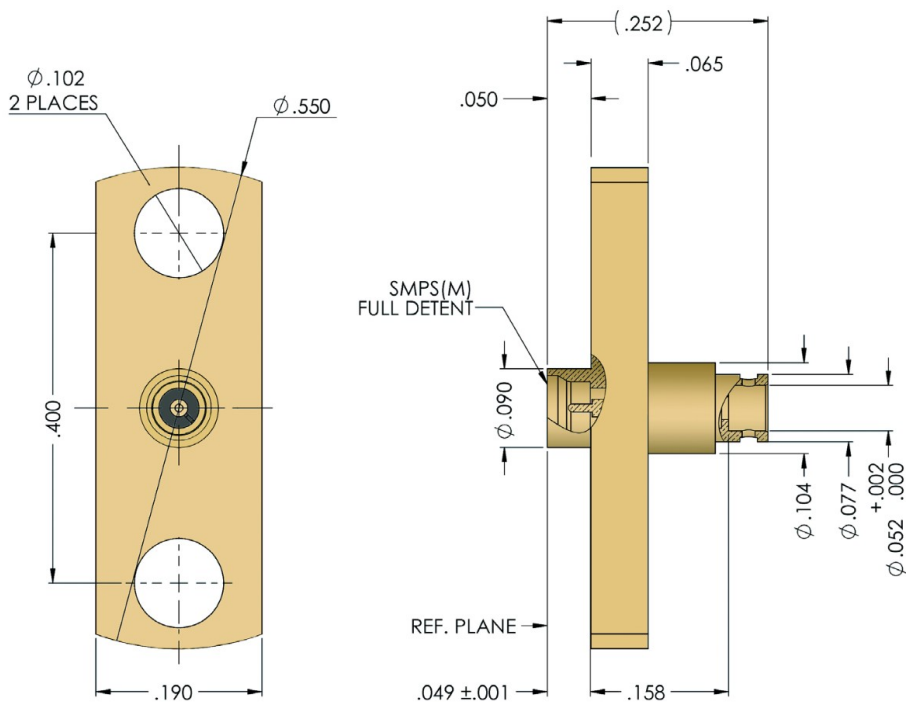
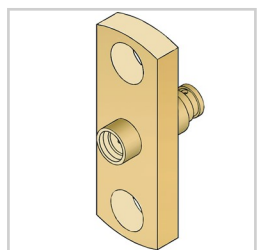


**9376111G003-001**

Right Angle Direct Solder  
.047 SR or Flex Cable



## Cable Connectors



**937211G913-000**

Panel Mount Direct Solder Male  
Full Detent .047 SR Cable

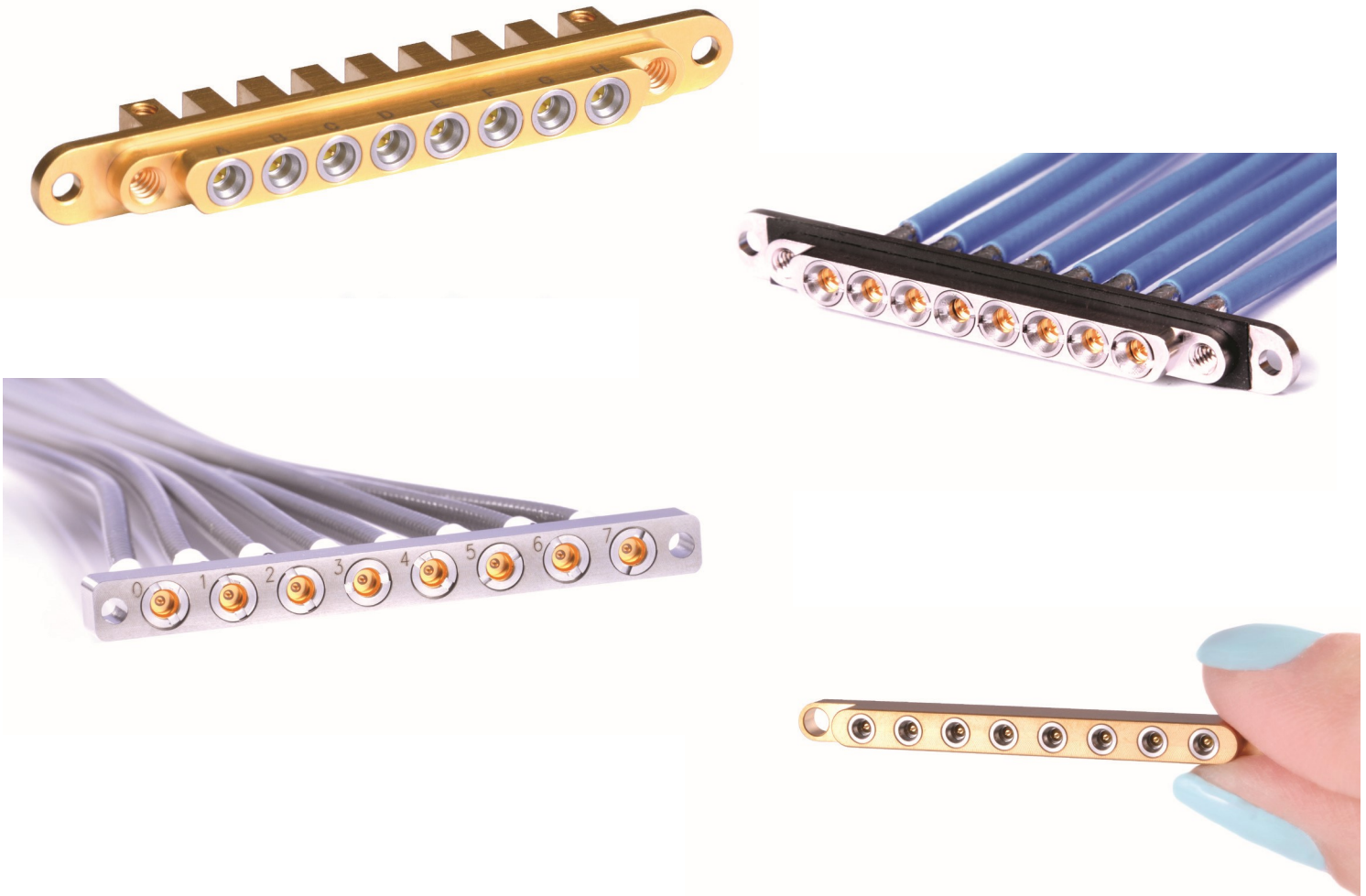


Please contact the factory for mounting instructions.

## Gang Mounts

### SMP, SMPM & SMPS Gang-Mount Solutions:

At Delta we specialize in gang-mounting any push-on connector interface.



- ▶ Any number of ports.
- ▶ Any termination type- PCB, edge- launch, surface or cable mount.
- ▶ Weather sealed interfaces & mounting hardware for external applications.
- ▶ Horizontal milling capabilities to support quick turn to market.

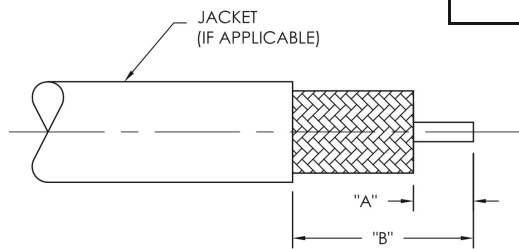


## Automated Tin/Lead Dipping For SMP, SMPM & SMPS....

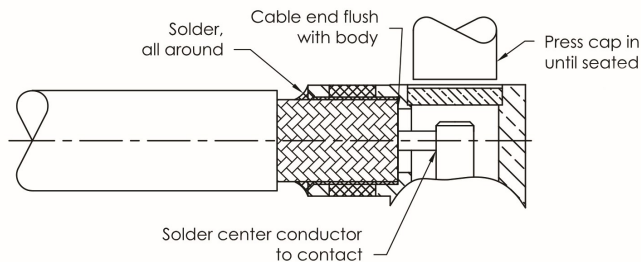
Our customized Automated Tin/Lead Dipping Equipment enables high volume processing of our SMP, SMPM and SMPS printed circuit board mount products. The finished connector is of high quality, with a consistent tin/lead flowed finish. Experience the Delta Difference!!!

### Assembly Procedure "J"

Trim Codes		
J/05	A	B
	.062 ± .010	.187 ± .010



1. Trim cable to dimensions shown. Remove any burrs from outer and center conductor.

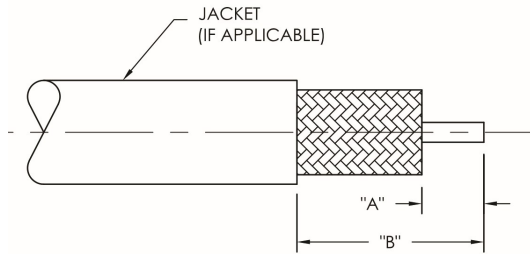


2. Insert cable into body, making sure center conductor is inserted in slot in contact. Solder cable jacket to body, keeping end of cable flush with step in body as shown. Solder center conductor to contact and press cap into body until fully seated.

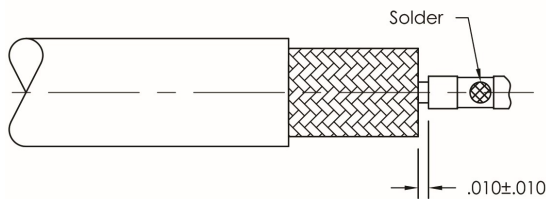
Proper assembly technique is important to the overall performance of the cable assemblies.

## Assembly Procedure "N"

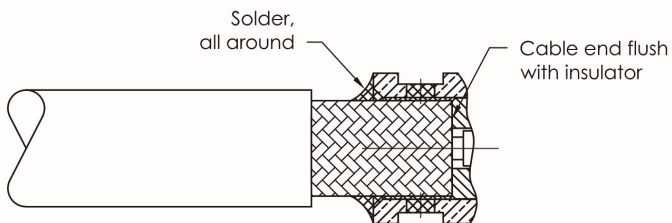
Trim Codes		
N/01	A	B
	.062 ± .010	.187 ± .010



1. Trim cable to dimensions shown. Remove any burrs from outer and center conductor.



2. Solder contact to center conductor. Fixturing to maintain gap as shown. Remove any excess solder from outside contact.

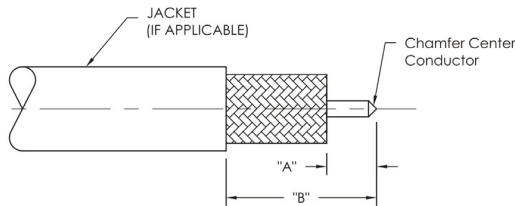


3. Insert cable into body and solder cable jacket to body keeping end of cable flush with insulator as shown.

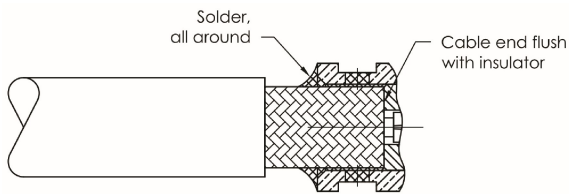
Proper assembly technique is important to the overall performance of the cable assemblies.  
Please contact Delta Electronics for additional information.

## Assembly Procedure "P"

Trim Codes		
P/01	A	B
	.062 ± .010	.187 ± .010



1. Trim cable to dimensions shown. Remove any burrs from outer and center conductor.



2. Insert cable into body and solder cable jacket to body, keeping end of cable flush with insulator as shown.

Proper assembly technique is important to the overall performance of the cable assemblies.  
Please contact Delta Electronics for additional information.

## Index by Delta Part Number

Delta P/N	Page	Delta P/N	Page	Delta P/N	Page
81-10384-XX-AU	10	8672094G001-XXX	8	9328000G001-001	26
8600000G003-XXX	9	8672111G001-XXX	8	9328000G001-012	26
8601094G001-000	7	8676037G001-000	7	9328000G001-006	26
8608037G001-000	6	8676111G001-000	7	9328000G001-007	27
8608038G001-000	6	8800000G003-000	18	9328000G001-008	27
8608094G001-000	6	8808094G001-003	17	9328000G001-000	27
8608111G001-001	6	8808111G003-000	17	9368000G91P-006	28
8624000G918-XXX	10	8824000G918-002	18	9368000G91P-007	28
8624000K910-XXX	9	8824000G918-XXX	19	9368000G001-001	29
8628000G001-XXX	13	8824000K911-XXX	18	9368000G001-002	29
8628000G911-XXX	14	8828000G001-XXX	23	9368000G001-003	29
8659000K051-XXX	11	8859000K051-XXX	19-20	9368000G001-004	29
8659000K910-XXX	10	8859000K911-XXX	19	9308000G003-000	30
8659000K911-XXX	11	8868000G001-XXX	22	9376111G003-001	30
8667000G91P-XXX	12	8868000G91P-XXX	22	9372111G913-000	31
8668000G001-XXX	12	8869000G001-001	21		
8668000G911-XXX	13	8876094G003-000	17		
8668000G91P-XXX	12	8876111G003-000	17		
8672037G001-XXX	8				