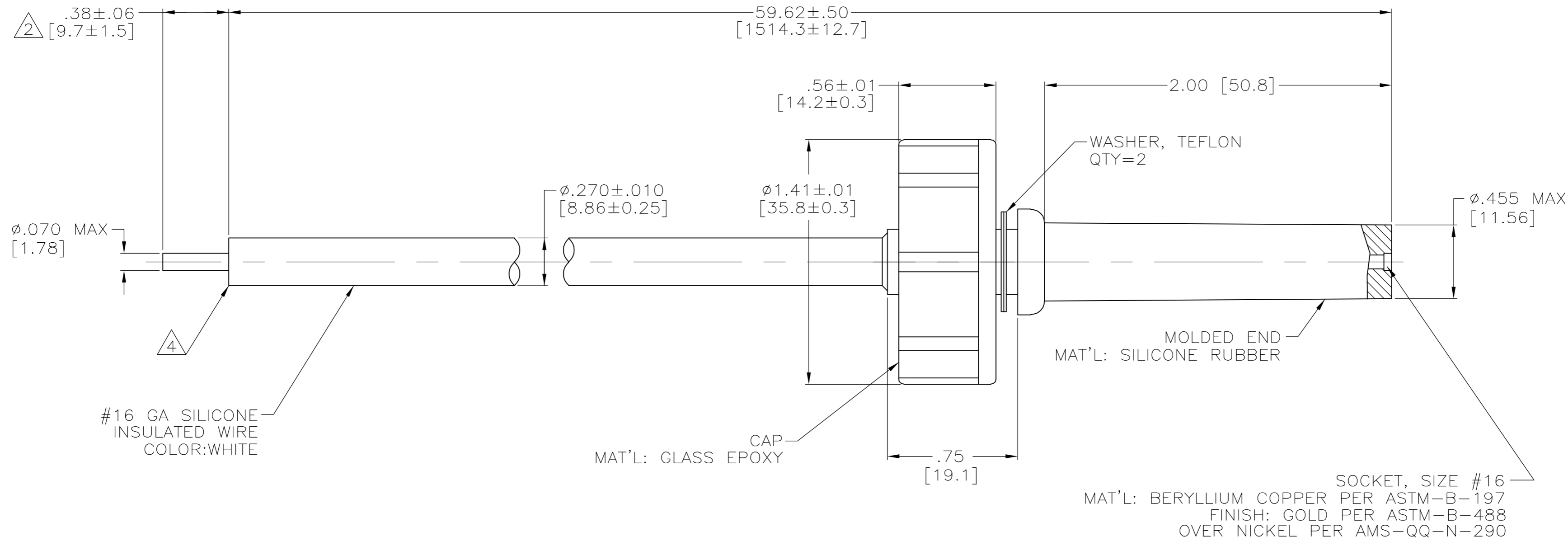


THIS DRAWING IS UNPUBLISHED. RELEASED FOR PUBLICATION - N/A .
 © COPYRIGHT N/A BY TYCO ELECTRONICS CORPORATION. ALL RIGHTS RESERVED.

LOC	DIST	REVISIONS					
DF	SO	P	LTR	DESCRIPTION	DATE	DWN	APVD
		D		REV PER ECO-05-002595	07-05	AA	DE

1. TO MATE WITH AMP LGH-4 RECEPTACLE WITH 2.00 [50.8] BARREL DEPTH.
2. PIGTAIL IS SOLDER DIPPED.
3. MAX OPERATING VOLTAGE: 40 KVDC
4. INSULATION CUT, BUT NOT REMOVED.



4	5-867566-1
2	867566-1
REMARKS	PART NO.

THIS DRAWING IS A CONTROLLED DOCUMENT.		DWN	C.C.THOMAS	12-AUG-96	 Tyco Electronics Corporation Harrisburg, Pa 17105-3608	
DIMENSIONS:		CHK	S.GLATFELTER	13-AUG-96		
INCHES [mm]		APVD	S.GLATFELTER	13-AUG-96		
TOLERANCES UNLESS OTHERWISE SPECIFIED: 0 PLC ± - 1 PLC ± - 2 PLC ± .03 [0.8] 3 PLC ± .015 [0.38] 4 PLC ± - ANGLES ± - FINISH -		PRODUCT SPEC	NAME			
MATERIAL		APPLICATION SPEC	CABLE ASSY			
		WEIGHT	LGH-1 WITH LGH-4 MOLDED END			
		CUSTOMER DRAWING	SIZE	CAGE CODE	DRAWING NO	RESTRICTED TO
			A2	00779	C=867566	-
			SCALE	SHEET	OF	REV
			2:1	1	1	D