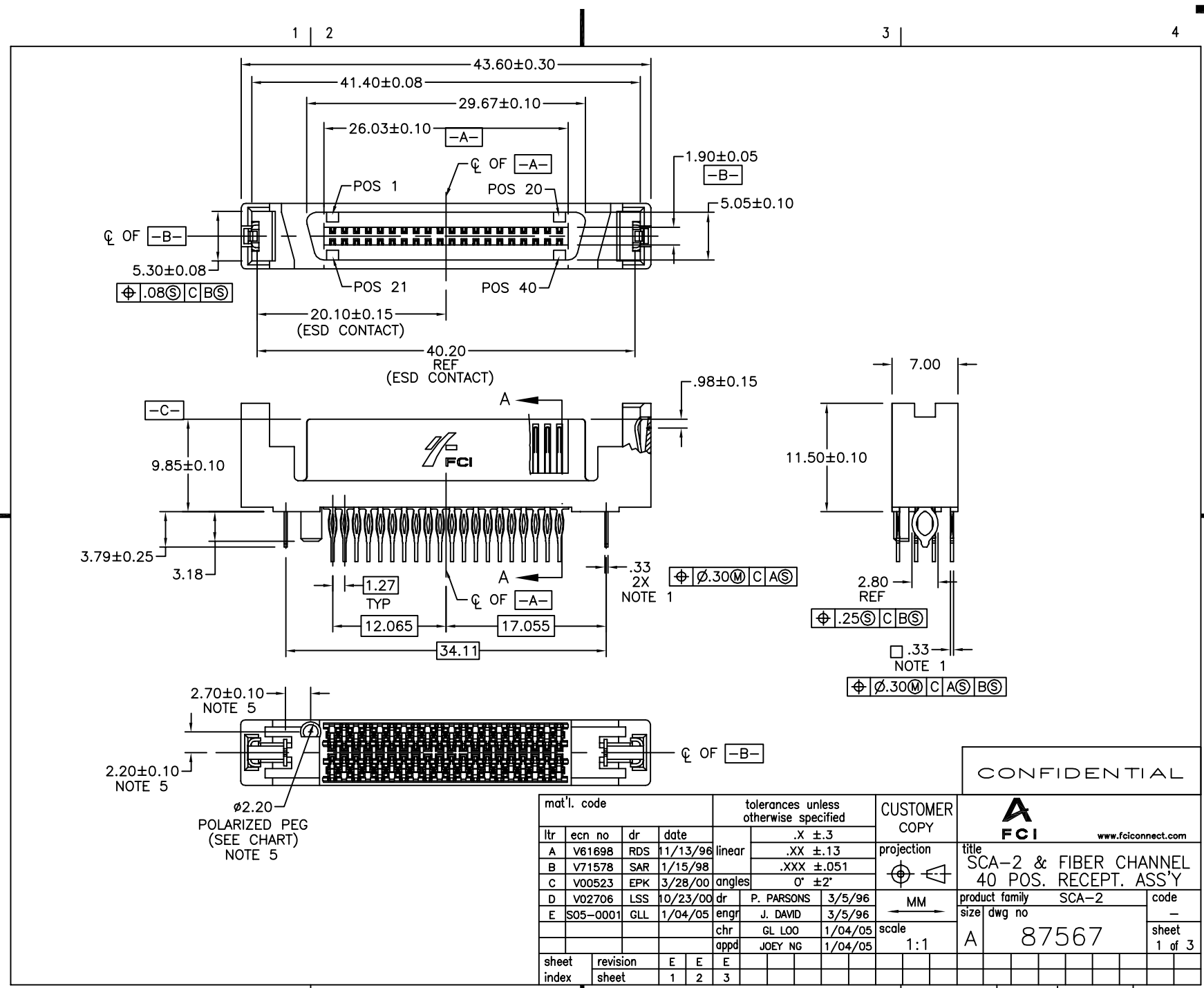


Tous droits strictement reserves. Reproduction ou communication a des tiers interdite sous quelque forme que ce soit sans autorisation ecrite du proprietaire. Propriete de c FCI. Droits de reproduction FCI.



All rights strictly reserved. Reproduction or issue to third parties in any form whatever is not permitted without written authority from the proprietor. Property of FCI. Copyright FCI.



CONFIDENTIAL



mat'l. code				tolerances unless otherwise specified			CUSTOMER COPY	projection	title	product family	code
ltr	ecn no	dr	date	linear	.X ±.3						
A	V61698	RDS	11/13/98		.XX ±.13			40 POS. RECEPT. ASS'Y			
B	V71578	SAR	1/15/98	angles	.XXX ±.051						
C	V00523	EPK	3/28/00		0° ±2°						
D	V02706	LSS	10/23/00	dr		P. PARSONS	3/5/96				
E	S05-0001	GLL	1/04/05	enfr		J. DAVID	3/5/96				
				chr		GL L00	1/04/05				
				appd		JOEY NG	1/04/05				
sheet index	revision sheet	E	E	E				scale	A	87567	
		1	2	3				1:1			

size	dwg no	code
A	87567	-
sheet		1 of 3

cage code 22526

ACAD

PDM: Rev:E

STATUS: Released

Printed: Mar 11, 2011

Tous droits strictement reserves. Reproduction ou communication a des tiers interdite sous quelque forme que ce soit sans autorisation ecrite du proprietaire. Propriete de c FCI. Droits de reproduction FCI.

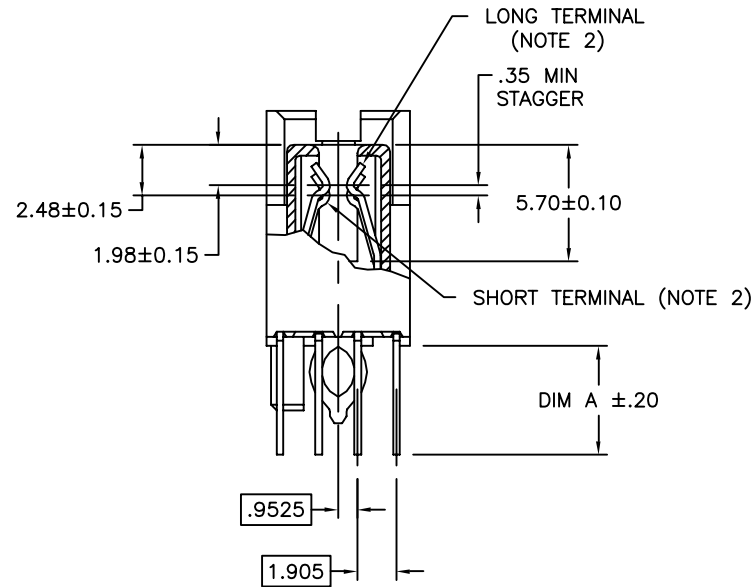


All rights strictly reserved. Reproduction or issue to third parties in any form whatever is not permitted without written authority from the proprietor. Property of FCI. Copyright FCI.

1 | 2

3 |

4



SECTION A-A

CONFIDENTIAL

mat'l. code		tolerances unless otherwise specified		CUSTOMER COPY		www.fciconnect.com						
ltr	ecn no	dr	date	linear	.X ±.3	projection						
E					.XX ±.13							
					.XXX ±.051							
				angles	0° ±2°		title SCA-2 & FIBER CHANNEL 40 POS. RECEPT. ASS'Y					
		dr	P. PARSONS	3/5/96	MM			product family	SCA-2	code	-	
		enfr	J. DAVID	3/5/96	scale 2:1			size	dwg no		sheet	2 of
		chr	GL L00	1/04/05				A	87567			
		appd	JOEY NG	1/04/05								
sheet index	revision sheet											

1 | 2

3 |

4

ACAD

cage code
22526