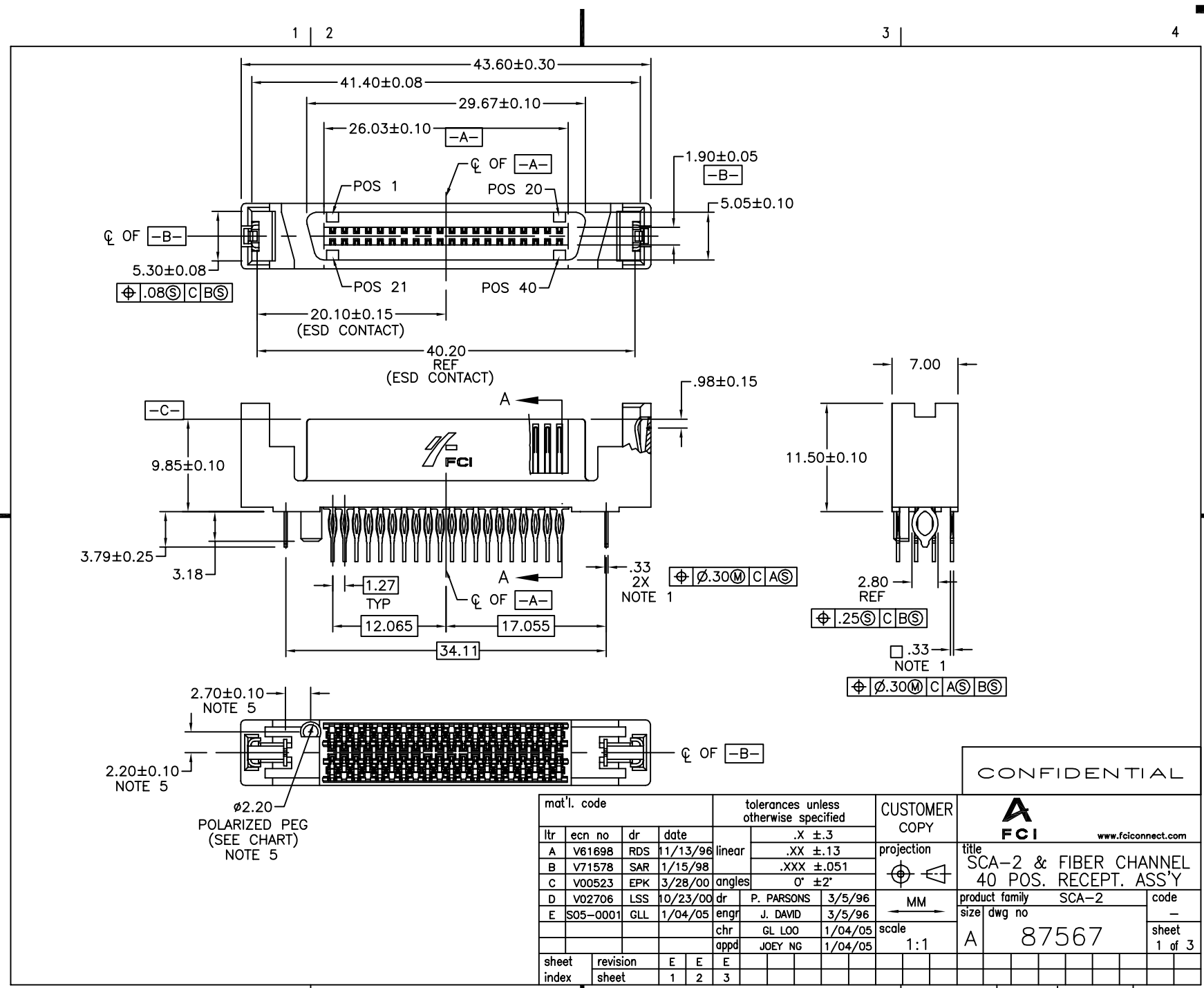


Tous droits strictement réservés. Reproduction ou communication à des tiers interdite sous quelque forme que ce soit sans autorisation écrite du propriétaire. Propriété de c FCI. Droits de reproduction FCI.



All rights strictly reserved. Reproduction or issue to third parties in any form whatever is not permitted without written authority from the proprietor. Property of FCI. Copyright FCI.



CONFIDENTIAL

FCI www.fciconnect.com

title: SCA-2 & FIBER CHANNEL 40 POS. RECEPT. ASS'Y

product family: SCA-2 code: -

size: A dwg no: 87567 sheet: 1 of 3

mat'l. code				tolerances unless otherwise specified			CUSTOMER COPY
ltr	ecn no	dr	date	linear	.X ±.3	projection	
A	V61698	RDS	11/13/98		.XX ±.13		
B	V71578	SAR	1/15/98	angles	.XXX ±.051	MM	
C	V00523	EPK	3/28/00		0° ±2°		
D	V02706	LSS	10/23/00	dr	P. PARSONS	3/5/96	
E	S05-0001	GLL	1/04/05	enfr	J. DAVID	3/5/96	
				chr	GL L00	1/04/05	
				appd	JOEY NG	1/04/05	
sheet index	revision sheet	E	E	E			scale: 1:1
		1	2	3			

cage code 22526

ACAD

PDM: Rev:E

STATUS: Released

Printed: Mar 11, 2011

Tous droits strictement reserves. Reproduction ou communication a des tiers interdite sous quelque forme que ce soit sans autorisation ecrite du proprietaire. Propriete de c FCI. Droits de reproduction FCI.

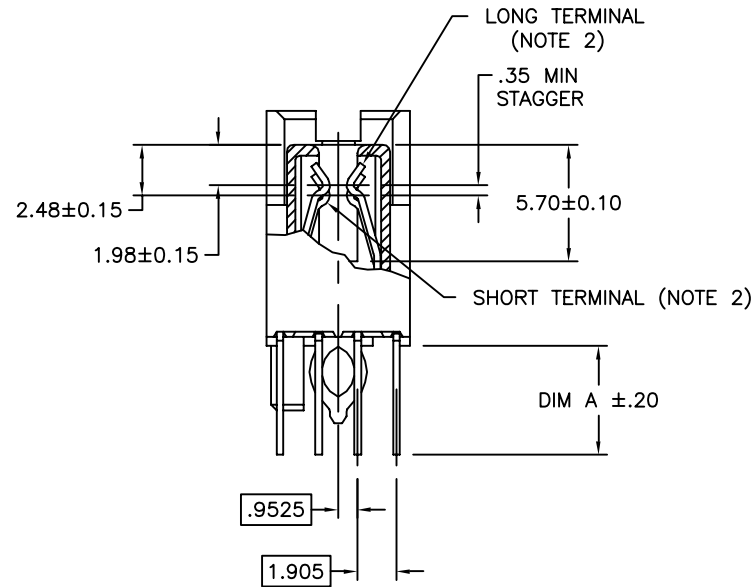


All rights strictly reserved. Reproduction or issue to third parties in any form whatever is not permitted without written authority from the proprietor. Property of FCI. Copyright FCI.

1 | 2

3 |

4



SECTION A-A

CONFIDENTIAL

mat'l. code		tolerances unless otherwise specified		CUSTOMER COPY		 www.fciconnect.com	
ltr	ecn no	dr	date	linear	.X ±.3	projection	
E					.XX ±.13		
					.XXX ±.051		
				angles	0° ±2°	 MM	title SCA-2 & FIBER CHANNEL 40 POS. RECEPT. ASS'Y product family SCA-2 size dwg no A 87567 code - sheet 2 of
		dr	P. PARSONS	3/5/96			
		enfr	J. DAVID	3/5/96			
		chr	GL L00	1/04/05			
		appd	JOEY NG	1/04/05			
sheet index	revision sheet					scale	2:1

1 | 2

3 |

4

ACAD

cage code
22526