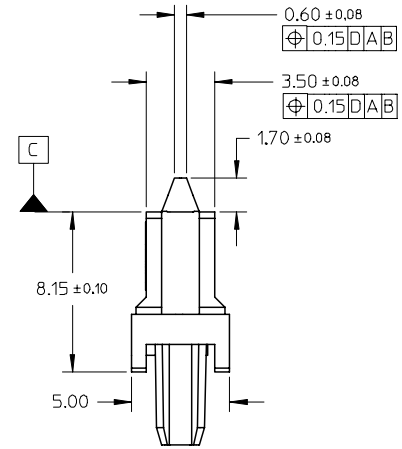
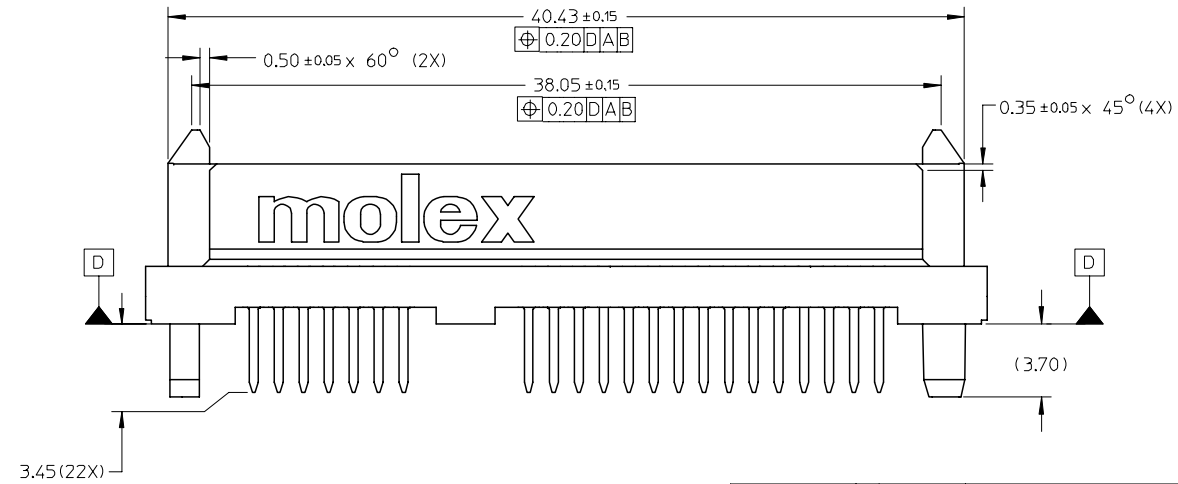


- NOTES:
1. MATERIAL: LIQUID CRYSTALLINE POLYMER (LCP). GLASS FILLED UL 94V-0, COLOR: BLACK  
TERMINAL: COPPER ALLOY
  2. PLATING:  
CONTACT: 0.76μm MIN. SELECTIVE GOLD OVER 1.27μm MIN. NICKEL UNDERPLATE  
SOLDERTAIL: 2.54μm MIN. TIN OVER 1.27μm MIN. NICKEL UNDERPLATE
  3. MOLEX LOGO LOCATED APPROXIMATELY AS SHOWN
  4. MAXIMUM WARPAGE OF 0.13 mm OVER THE LENGTH OF THE CONNECTOR IN ANY DIRECTION BEFORE AND AFTER EXPOSURE TO MAX. 260°C FOR 10 SECONDS
  5. PRODUCT SPECIFICATION: PS-87779-011 APPLIES EXCEPT DURABILITY.
  6. PACKAGING  
30 CONNECTORS PER TRAY
  7. PARTS TO BE LUBRICATED FOR HIGH DURABILITY MATING OF 2000 CYCLES.



OBS TIN/LEAD P/N EC NO: S2006-0984 DRWN:MLONG CHKD:CGTAN APPR:KCLING	QUALITY SYMBOLS ▽=0 △=0	GENERAL TOLERANCES (UNLESS SPECIFIED)		DIMENSION STYLE MM ONLY		SCALE NTS	DESIGN UNITS METRIC	THIRD ANGLE PROJECTION		
		4 PLACES	± ---	± ---	DRAWN BY DKOH	DATE 2003/11/24	TITLE SERIAL ATA, BACKPLANE STD HEIGHT, RECEPT., T/H			
		3 PLACES	± ---	± ---	CHECKED BY KCLING	DATE 2003/12/03				
		2 PLACES	± 0.20	± ---	APPROVED BY SKTOH	DATE 2003/12/03	MOLEX INCORPORATED			
1 PLACE	± ---	± ---	MATERIAL NO. 87779-1003	DOCUMENT NO. SD-87779-021	SHEET NO. 1 OF 4					
DRAFT WHERE APPLICABLE MUST REMAIN WITHIN DIMENSIONS		SIZE A3		THIS DRAWING CONTAINS INFORMATION THAT IS PROPRIETARY TO MOLEX INCORPORATED AND SHOULD NOT BE USED WITHOUT WRITTEN PERMISSION						

10 9 8 7 6 5 4 3 2 1

F

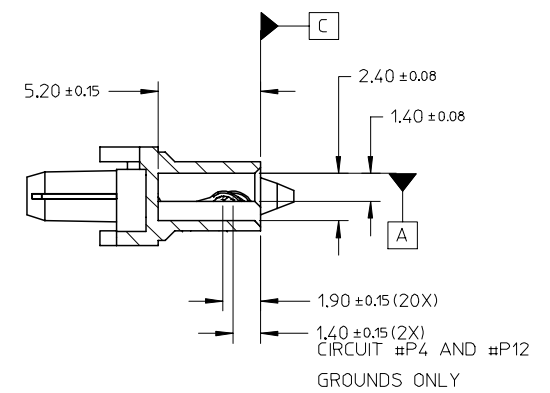
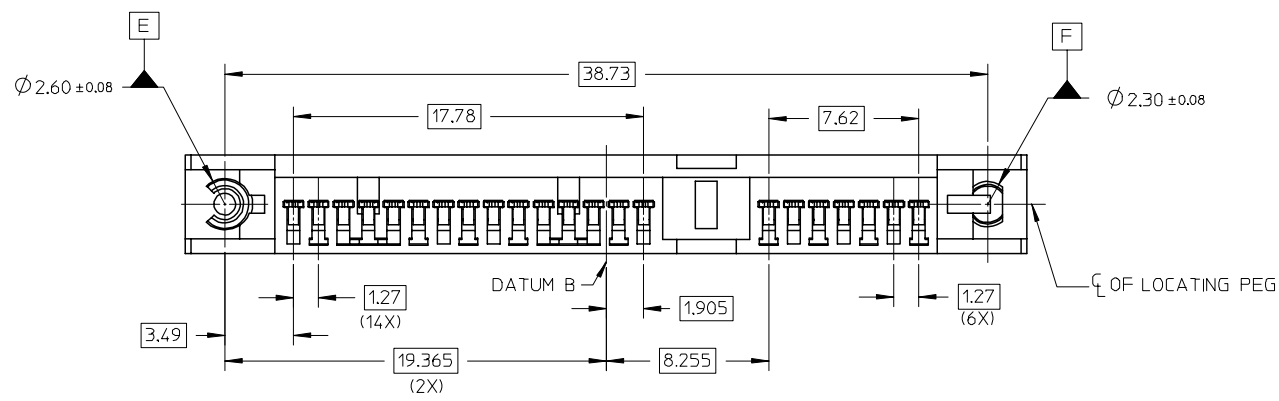
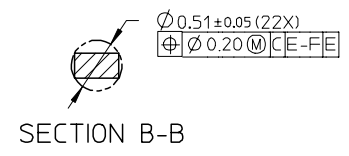
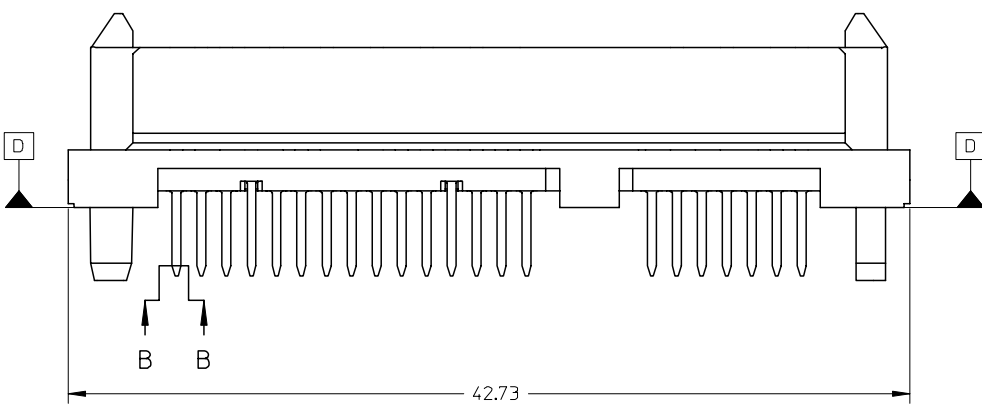
E

D

C

B

A



OBS TIN/LEAD P/N	2006/04/04
EC NO: S2006-0984	2006/04/04
DRWN:MLONG	2006/04/04
CHKD:CGTAN	2006/04/04
APPR:KCLING	2006/04/04

REV	DESCRIPTION
▽=0	QUALITY SYMBOLS
▽=0	

GENERAL TOLERANCES (UNLESS SPECIFIED)	
mm	INCH
4 PLACES ± ---	± ---
3 PLACES ± ---	± ---
2 PLACES ± 0.20	± ---
1 PLACE ± ---	± ---
ANGULAR ± 3 °	
DRAFT WHERE APPLICABLE MUST REMAIN WITHIN DIMENSIONS	

DIMENSION STYLE	
MM ONLY	
DRAWN BY	DATE
DKOH	2003/11/24
CHECKED BY	DATE
KCLING	2003/12/03
APPROVED BY	DATE
SKTOH	2003/12/03
MATERIAL NO.	87779-1003

SCALE	DESIGN UNITS	THIRD ANGLE PROJECTION
NTS	METRIC	☉ □
TITLE		
SERIAL ATA, BACKPLANE STD HEIGHT, RECEPT., T/H		
MOLEX INCORPORATED		
DOCUMENT NO.	SD-87779-021	SHEET NO.
		2 OF 4

9 8 7 6 5 4 3 2 1

10 9 8 7 6 5 4 3 2 1

F F

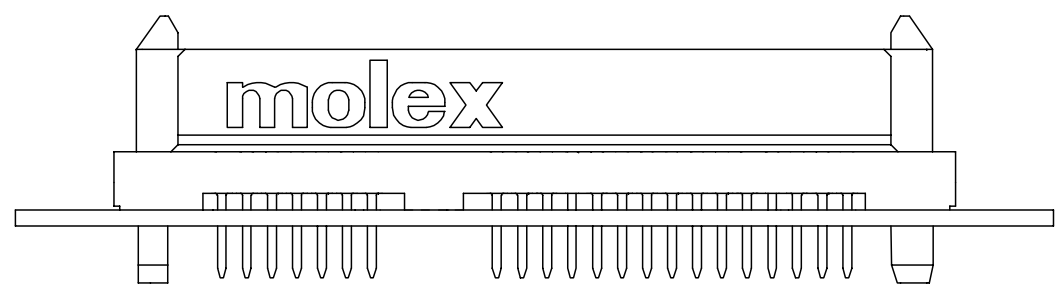
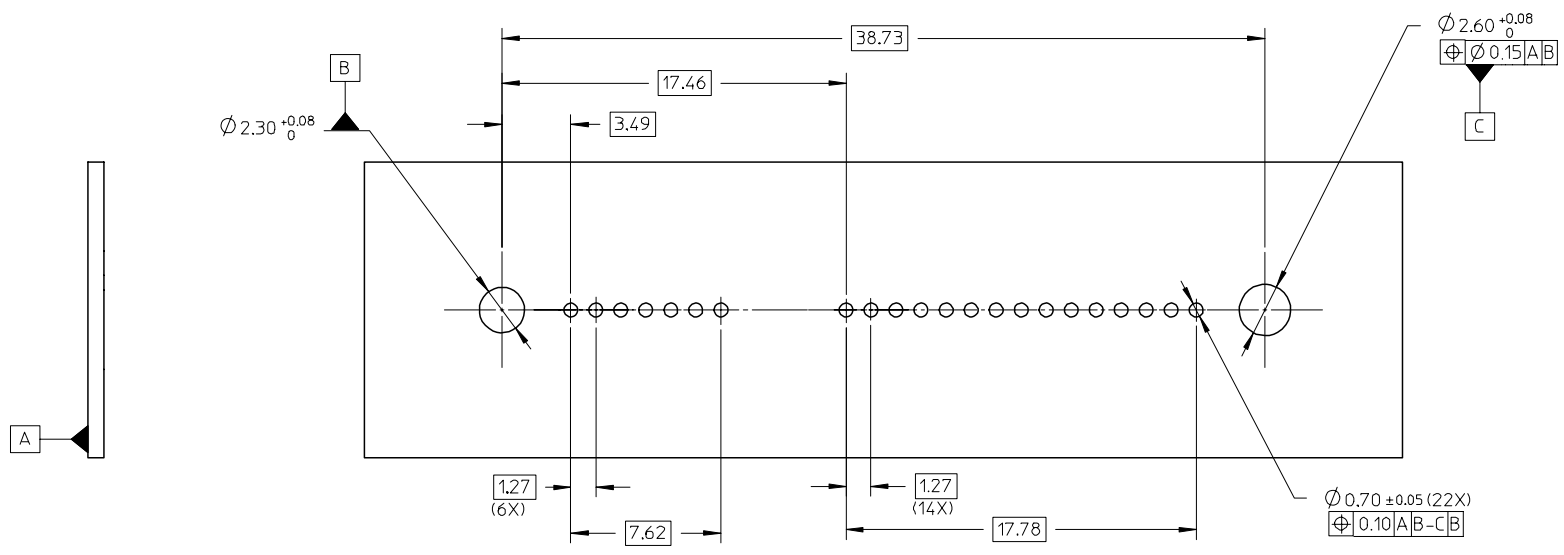
E E

D D

C C

B B

A A



PCB THICKNESS: 0.80 TO 2.54mm  
RECOMMENDED PCB LAYOUT

OBS TIN/LEAD P/N EC NO: S2006-0984 DRWN:MLONG CHKD:CGTAN APPR:KCLING	2006/04/04 2006/04/04 2006/04/04 2006/04/04	QUALITY SYMBOLS ▽=0 ◻=0	GENERAL TOLERANCES (UNLESS SPECIFIED)		DIMENSION STYLE MM ONLY		SCALE NTS	DESIGN UNITS METRIC	THIRD ANGLE PROJECTION		
			4 PLACES	± ---	± ---	DRAWN BY DKOH	DATE 2003/11/24	TITLE SERIAL ATA, BACKPLANE STD HEIGHT, RECEPT., T/H			
			3 PLACES	± ---	± ---	CHECKED BY KCLING	DATE 2003/12/03				
			2 PLACES	± 0.20	± ---	APPROVED BY SKTOH	DATE 2003/12/03	MATERIAL NO. 87779-1003			
1 PLACE	± ---	± ---	ANGULAR ± 3 °		DOCUMENT NO. SD-87779-021		SHEET NO. 3 OF 4				
DRAFT WHERE APPLICABLE MUST REMAIN WITHIN DIMENSIONS			SIZE A3		THIS DRAWING CONTAINS INFORMATION THAT IS PROPRIETARY TO MOLEX INCORPORATED AND SHOULD NOT BE USED WITHOUT WRITTEN PERMISSION						

9 8 7 6 5 4 3 2 1