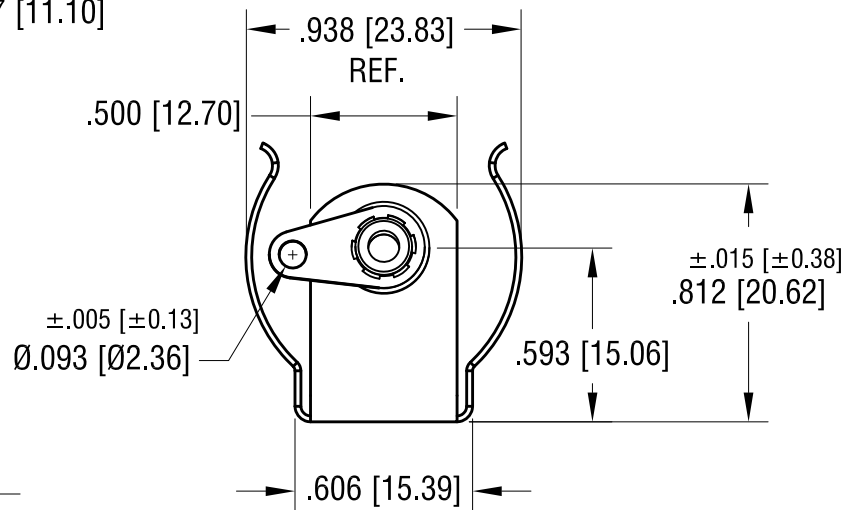
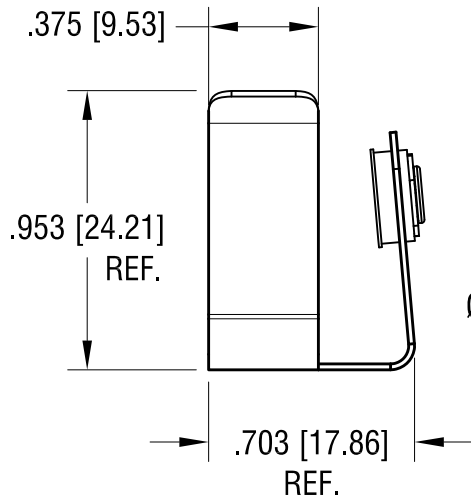
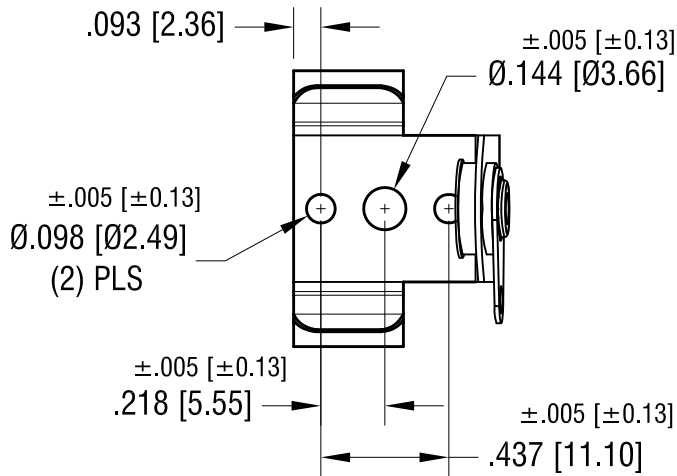
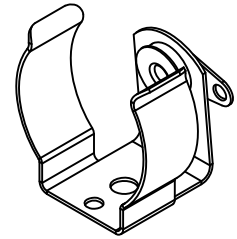


THIS DOCUMENT IS THE PROPERTY OF
KEYSTONE ELECTRONICS CORP. AND
SHALL NOT BE REPRODUCED, DISTRIBUTED
OR USED AS A BASIS FOR MANUFACTURE
WITHOUT PRIOR WRITTEN PERMISSION
FROM KEYSTONE ELECTRONICS CORP.

ACTUAL SIZE



NOTE:

1. CLIP: MAT'L- .020 [0.50] TH'K SPRING STEEL
HEAT TREAT TO SPRING TEMPER
FINISH- NICKEL PLATE
2. CONTACT EYELET:
BRASS, NICKEL PLATE

3. INSULATING WASHER:
MAT'L- VULCANIZED FIBRE
4. TERMINAL LUG:
MAT'L- BRASS. TIN PLATED

KEYSTONE ELECTRONICS CORP.

www.keyelco.com • NEW HYDE PARK, NY 11040 • Tel (516) 328-7500

PART NAME		'C' CELL END CLIP	
MATERIAL		AS NOTED	
FINISH	AS NOTED	DRN BY	BOONE
		APP'D	LN
		DATE	10.28.81
		SCALE	1.5X
TOLERANCES	INCH [MM]	CODE	DWG NO.
DECIMAL	± .010 [± 0.25]	C	
ANGULAR	± 1°		
UNLESS OTHERWISE SPECIFIED			

6.14.04	ECN 04-047 NEW DRAWING	C
DATE	DESCRIPTION	REV.

87