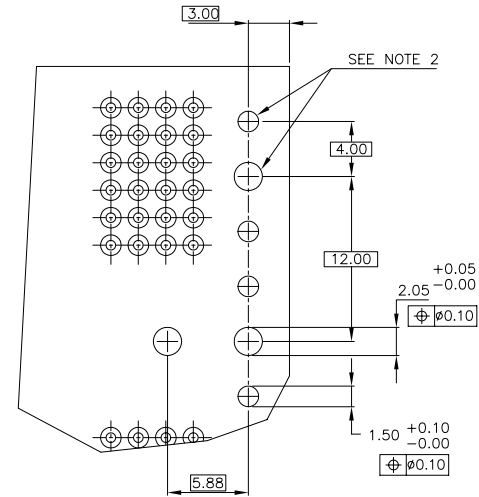
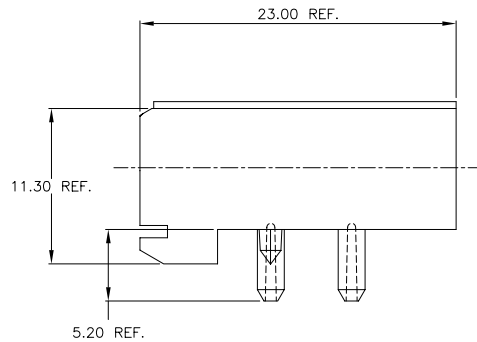
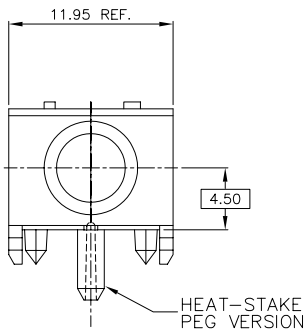


PRODUCT NUMBER	DESCRIPTION
88917-101 & -101LF	HEAT STAKE VERSION

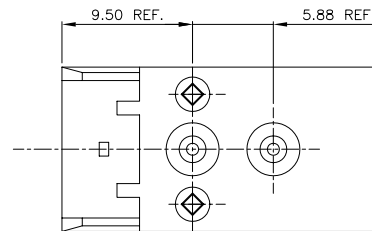
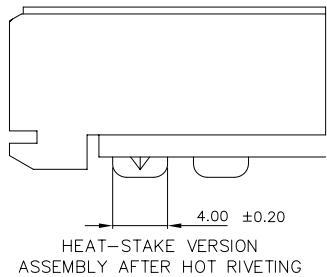
FRONT VIEW



REQUIRED PC BOARD LAYOUT
COMPONENT SIDE

NOTE:

- HOUSING MATERIAL: LCP, 30% GLASS FILLED
FLAME RETARDANT PER UL 94V-0.
COLOR: NATURAL
- INDICATED HOLES ARE UNPLATED
- PART NUMBER WITH "LF" SUFFIX AT THE END ARE LEAD FREE OPTION
- THIS PRODUCT MEETS EUROPEAN UNION DIRECTIVES AND OTHER
COUNTRY REGULATION AS DESCRIBED IN GS-22-008.
- THE HOUSING WILL WITHSTAND EXPOSURE TO 260°C PEAK
TEMPERATURE FOR 15 SECONDS IN A WAVE SOLDER APPLICATION
WITH A 1.5mm MINIMUM THICK CIRCUIT BOARD OR FOR 10-20
SECONDS IN A CONVECTION, INFRA-RED OR VAPOR PHASE REFLOW
OVEN. SEE APPLICATION NOTES/PROCEDURES IF THEY ARE AVAILABLE.



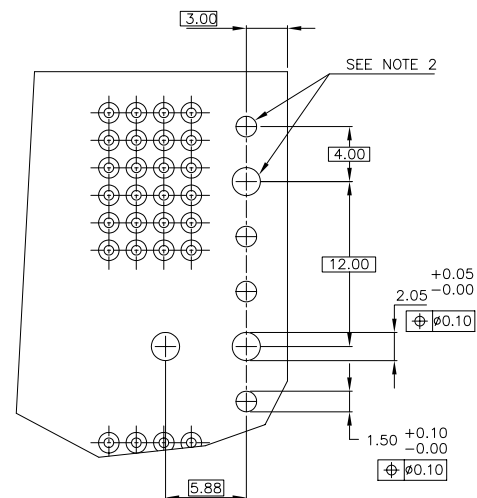
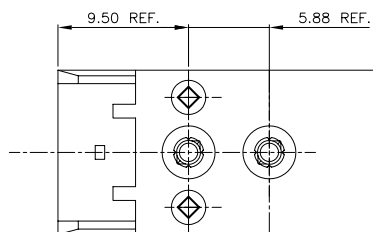
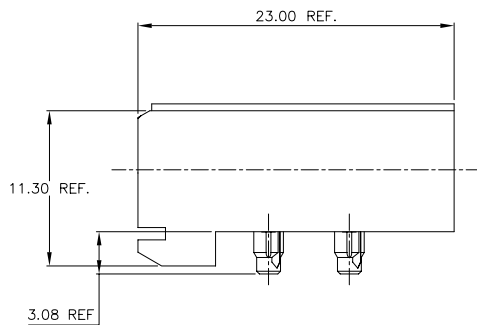
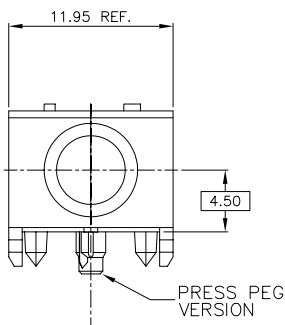
mat'l. code		surface		tolerance		projection		product family	
SEE NOTES		ISO 1302 ✓		ISO 406 ISO 1101		mm		METRAL ACC.	
ltr	ecn	no	dr	date	tolerances unless otherwise specified		title		sheet 1 of 4 size
F	c80040	MDF		7/23/98	angles	linear	RECEPTACLE GUIDE MODULE, 4 ROW		
G	H80473	MDF		7/23/98			scale 1:1		A3
H	v02701	JWS		10/19/00	σ±2'		88917		
J	v11668	LSS		6/13/01	dr	S. STONER	9/30/93		type Product Customer Drawing
K	v12868	CGD		1/02/02	enrg	R. DOUTRICH	9/30/93		
L	M05-0262	MHT		12/20/05	chr	S. STONER	9/30/93		
M	M06-0286	MNR		7/27/06	appd	S. STONER	9/30/93		
sheet	revision	M	M	M	M	M			
index	sheet	1	2	3	4				



Copyright FCI

PRODUCT NUMBER	DESCRIPTION
88917-201 & -201LF	PRESS-PEG VERSION

FRONT VIEW



REQUIRED PC BOARD LAYOUT
COMPONENT SIDE

NOTE:

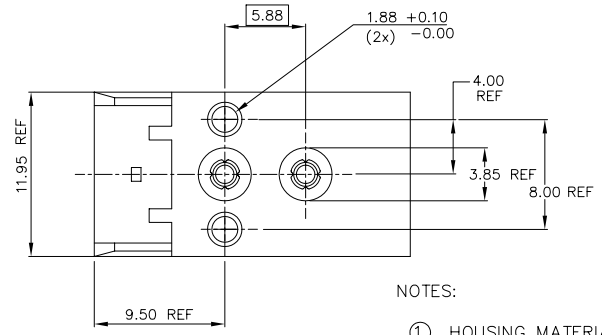
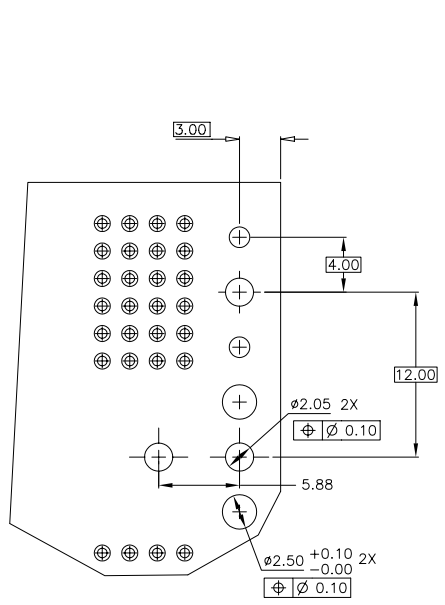
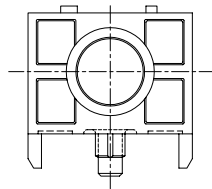
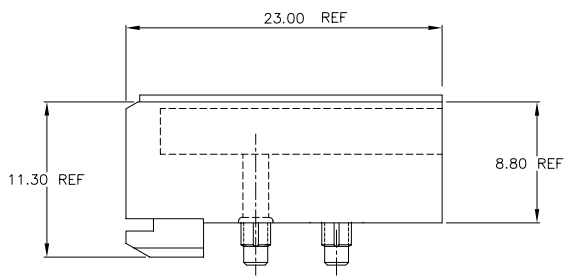
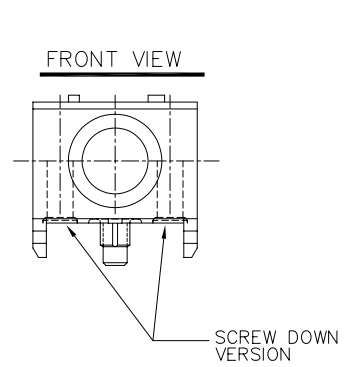
- HOUSING MATERIAL: LCP, 30% GLASS FILLED
FLAME RETARDANT PER UL 94V-0.
COLOR: NATURAL
- INDICATED HOLES ARE UNPLATED
- PART NUMBER WITH "LF" SUFFIX AT THE END ARE LEAD FREE OPTION
- THIS PRODUCT MEETS EUROPEAN UNION DIRECTIVES AND OTHER
COUNTRY REGULATION AS DESCRIBED IN GS-22-008.
- THE HOUSING WILL WITHSTAND EXPOSURE TO 260°C PEAK
TEMPERATURE FOR 15 SECONDS IN A WAVE SOLDER APPLICATION
WITH A 1.5mm MINIMUM THICK CIRCUIT BOARD OR FOR 10-20
SECONDS IN A CONVECTION, INFRA-RED OR VAPOR PHASE REFLOW
OVEN. SEE APPLICATION NOTES/PROCEDURES IF THEY ARE AVAILABLE.

mat'l. code		surface		tolerance		projection		product family	
SEE NOTES		ISO 1302 ✓		ISO 406 ISO 1101				METRAL ACC.	
ltr	ecn	no	dr	date	tolerances unless otherwise specified				
M					angles	linear	xx ±.01/.3	title	
					0°±2'		xxx ±.005/.13	RECEPTACLE GUIDE	
							xxxx ±.0020/.050	MODULE, 4 ROW	
					dr	S. STONER	9/30/93	scale 1:1	
					enrg	R. DOUTRICH	9/30/93	dwg no	
					chr	S. STONER	9/30/93	88917	
					appd	S. STONER	9/30/93	sheet 2 of 4	
sheet		revision		size					
index		sheet		A3					
				type Product Customer Drawing					



Copyright FCI

PRODUCT #	DESCRIPTION
88917-301 & -301LF	SCREW DOWN VERSION



NOTES:

- HOUSING MATERIAL: LCP, 30% GLASS FILLED FLAME RETARDANT PER UL 94V-0. COLOR: NATURAL
- TWO MOUNTING SCREWS, P/N 63787-001, FOR MAX PCB THICKNESS 2.4mm [0.094"] OR P/N 63787-002 FOR MAX PCB THICKNESS 3.2mm [0.126"]. MUST BE ORDERED SEPARATELY
- THE MATING CONNECTOR FOR THIS APPLICATION MUST USE A WALL-LESS HEADER HOUSING, P/N 63735-101, TO AVOID INTERFERENCE WITH MOUNTING SCREW HEADS.

REQUIRED PC BOARD LAYOUT COMPONENT SIDE

- PART NUMBER WITH "LF" SUFFIX AT THE END ARE LEAD FREE OPTION
- THIS PRODUCT MEETS EUROPEAN UNION DIRECTIVES AND OTHER COUNTRY REGULATION AS DESCRIBED IN GS-22-008.
- THE HOUSING WILL WITHSTAND EXPOSURE TO 260°C PEAK TEMPERATURE FOR 15 SECONDS IN A WAVE SOLDER APPLICATION WITH A 1.5mm MINIMUM THICK CIRCUIT BOARD OR FOR 10-20 SECONDS IN A CONVECTION, INFRA-RED OR VAPOR PHASE REFLOW OVEN. SEE APPLICATION NOTES/PROCEDURES IF THEY ARE AVAILABLE.

mat'l. code SEE NOTES		surface ISO 1302 ✓	tolerance ISO 406 ISO 1101	projection 	product family METRAL ACC.
ltr	ecn	no	dr	date	tolerances unless otherwise specified
M					angles linear xx ±.01/.3 xxx ±.005/.13 xxxx ±.0020/.050
					scale 1:1
					mm
					dr S. STONER 9/30/93
					enfr R. DOUTRICH 9/30/93
					chr S. STONER 9/30/93
					appd S. STONER 9/30/93
sheet index		revision sheet			

title RECEPTACLE GUIDE MODULE, 4 ROW		dwg no 88917		sheet 3 of 4 size A3	
type		Product		Customer Drawing	

FCI
FCIconnect.com
Copyright FCI