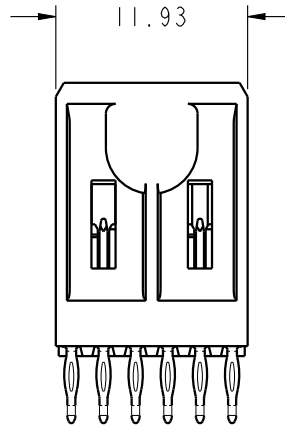
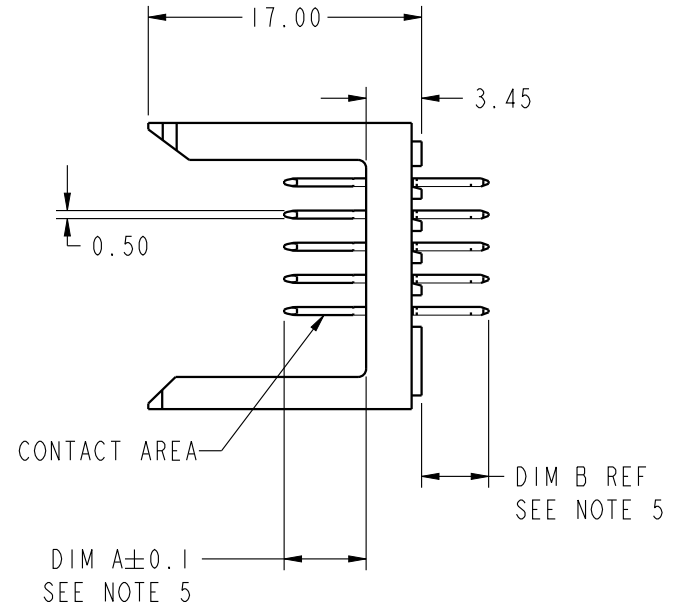
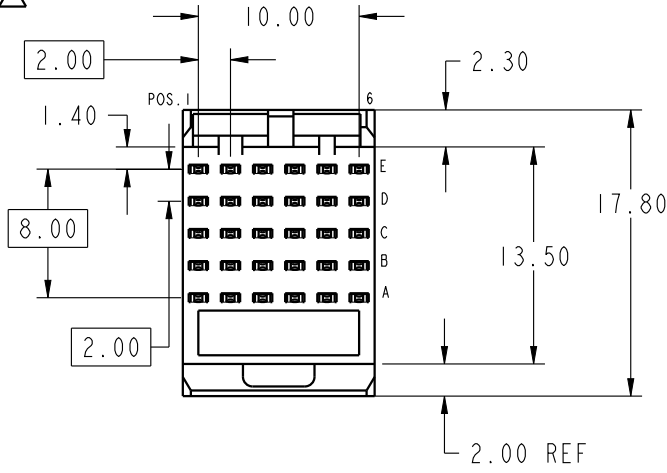


PRODUCT NUMBER

89006-XYX(L)LF

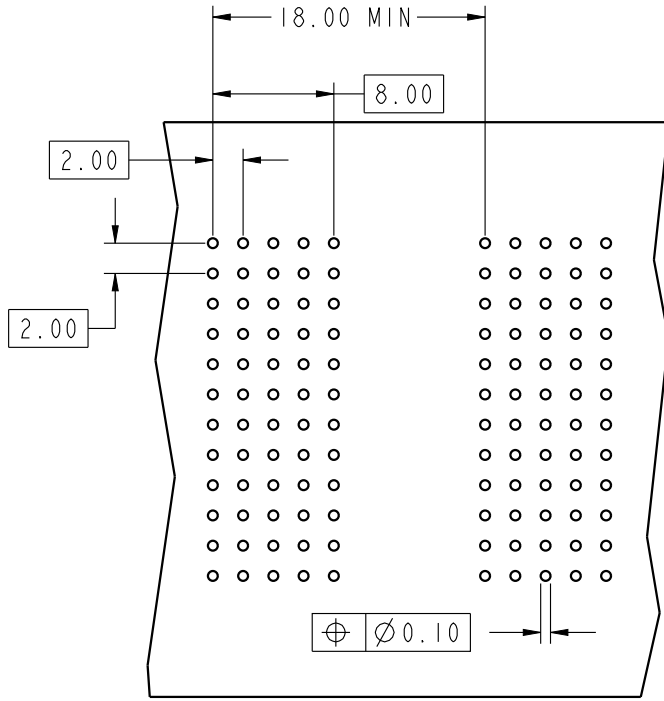
L REFER LUBRICATED (OPTIONAL) Δ
SEE NOTE 2

X REFER PLATING PERFORMANCE Δ
SEE NOTE 2



spec ref	*	dr	Terran Huang	2010/07/09	projection	MM	size	A4	scale	2:1											
tolerance std	TOLERANCES UNLESS OTHERWISE SPECIFIED	eng	Rahul Mohan-M	2021/08/26			ecn no		ELX-I-41238-1												
ISO 406		chr	-	-			rel level		Released												
ISO 1101		appr	Kuriakose, San	2021/08/26	product family		METRAL														
surface	3.200 linear	Amphenol FCi www.fci.com			title		METRAL SIGNAL HEADER		dwg no		89006		rev								
	0.X														±0.3	I MOD, 5 ROW PRESS-FIT		Product - Customer Drw		sheet 1 of 10	
	0.XX														±0.13						
	0.XXX	±.050	Product - Customer Drw		sheet 1 of 10																
ISO 1302	angular	0°					±2°	Product - Customer Drw		sheet 1 of 10											

Creo F:14:ELX-MC:AC,REV F,2020-12-21



REQUIRED PC BOARD LAYOUT
COMPONENT SIDE
SEE PRINT 58351 FOR
ADDITIONAL PCB INFORMATION

KEY		
CODE	DIMENSIONS	
	DIM "A" MATE	DIM "B" TAIL
1	5.00	4.30
2	5.75	4.30
3	6.50	4.30
4	7.25	4.30
5	5.00	13.60
6	5.75	13.60
7	6.50	13.60
8	7.25	13.60
9	5.00	17.00
10	5.75	17.00
11	6.50	17.00
12	7.25	17.00
13	8.25	4.30
14	8.25	13.60
15	8.25	17.00
16	7.00	4.30
17	7.00	13.60
18	7.00	17.00
19	8.00	4.30
20	8.00	13.60
21	8.00	17.00
59	5.00	11.80

spec ref	*	dr	Terran Huang	2010/07/09	projection	MM	size	A4	scale	2:1							
tolerance std	TOLERANCES UNLESS OTHERWISE SPECIFIED	eng	Rahul Mohan-M	2021/08/26				ecn no	ELX-I-41238-1								
ISO 406		chr	-	-		product family		METRAL	rel level	Released							
ISO 1101		appr	Kuriakose, San	2021/08/26			rev										
surface	3.200 linear				title METRAL SIGNAL HEADER I MOD, 5 ROW PRESS-FIT		dwg no 89006		rev BS								
	0.X										±0.3	cat. no. -		Product - Customer Drw		sheet 2 of 10	
	0.XX										±0.13						
	0.XXX	±0.050															
ISO 1302	angular	0°	±2°														

METRAL P/N	ROW	CONTACT CODE MOD. I						METRAL P/N	ROW	CONTACT CODE MOD. I						METRAL P/N	ROW	CONTACT CODE MOD. I						METRAL P/N	ROW	CONTACT CODE MOD. I						METRAL P/N	ROW	CONTACT CODE MOD. I							
		1	2	3	4	5	6			1	2	3	4	5	6			1	2	3	4	5	6			1	2	3	4	5	6			1	2	3	4	5	6		
89006-X10LF	E	I	I	I	I	I	89006-X14LF	E	4	4	4	4	4	89006-X19LF	E	4	4	4	4	4	89006-X23LF	E	8	8	8	8	8	89006-X27LF	E	6	6	6	6	6	89006-X32LF	E	12	12	12	12	12
	D	I	I	I	I	I		D	3	3	3	3	3		D	4	4	4	4	4		D	20	20	20	20	20		D	6	6	6	6	6		D	11	11	11	11	11
	C	I	I	I	I	I		C	4	4	4	4	4		C	4	4	4	4	4		C	8	8	8	8	8		C	6	6	6	6	6		C	11	11	11	11	11
	B	I	I	I	I	I		B	4	4	4	4	4		B	4	4	4	4	4		B	8	8	8	8	8		B	6	6	6	6	6		B	9	9	9	9	9
	A	I	I	I	I	I		A	4	4	4	4	4		A	4	4	4	4	4		A	8	8	8	8	8		A	20	20	20	20	20		A	9	9	9	9	9

spec ref	*	dr	Terran Huang	2010/07/09	projection	size	A4	scale	1:1		
tolerance std	TOLERANCES UNLESS OTHERWISE SPECIFIED	eng	Rahul Mohan-M	2021/08/26			ecn no	ELX-I-41238-1			
ISO 406		chr	-	-				rel level	Released		
ISO 1101		appr	Kuriakose, San	2021/08/26	product family	METRAL		rev			
surface	3.200 ✓	0.X	±0.3		METRAL SIGNAL HEADER			dwg no	89006		
		0.XX	±0.13		1 MOD, 5 ROW PRESS-FIT					rev	BS
		0.XXX	±.050		cat. no.	-	Product - Customer Drw				
ISO 1302	angular	0°	±2°	www.fci.com							

METRAL P/N	ROW	CONTACT CODE MOD. I					
		1	2	3	4	5	6
89006-X36LF	E	10	10	10	10	10	10
	D	10	10	10	10	10	10
	C	10	10	10	10	10	10
	B	10	10	10	10	10	10
	A	10	10	10	10	10	10
89006-X41LF	E	2	2	2	2	2	2
	D	1	1	1	1	1	1
	C	2	2	2	2	2	2
	B	2	2	2	2	2	2
	A	3	3	3	3	3	3
89006-X45LF	E	1	1	1	1	1	1
	D	19	19	19	19	19	19
	C	1	1	1	1	1	1
	B	19	19	19	19	19	19
	A	1	1	1	1	1	1
89006-X49LF	E	4	4	4	4	4	4
	D	3	3	3	3	3	3
	C	3	3	3	3	3	3
	B	3	3	3	3	3	3
	A	19	19	19	19	19	19
89006-X53LF	E	6	6	6	6	6	6
	D	6	6	6	6	6	6
	C	6	6	6	6	6	6
	B	6	6	6	6	6	6
	A	8	8	8	8	8	8
89006-X57LF	E	6	6	6	6	6	6
	D	7	7	7	7	7	7
	C	6	6	6	6	6	6
	B	6	6	6	6	6	6
	A	7	7	7	7	7	7
89006-X37LF	E	10	10	10	10	10	10
	D	10	10	10	10	10	10
	C	10	10	10	10	10	10
	B	10	10	10	10	10	10
	A	21	21	21	21	21	21
89006-X42LF	E	2	2	2	2	2	2
	D	4	4	4	4	4	4
	C	4	4	4	4	4	4
	B	3	3	3	3	3	3
	A	4	4	4	4	4	4
89006-X46LF	E	2	2	2	2	2	2
	D	2	2	2	2	2	2
	C	4	4	4	4	4	4
	B	2	2	2	2	2	2
	A	2	2	2	2	2	2
89006-X50LF	E	6	6	6	6	6	6
	D	6	6	6	6	6	6
	C	6	6	6	6	6	6
	B	8	8	8	8	8	8
	A	6	6	6	6	6	6
89006-X54LF	E	5	5	5	5	5	5
	D	7	7	7	7	7	7
	C	8	8	8	8	8	8
	B	7	7	7	7	7	7
	A	5	5	5	5	5	5
89006-X39LF	E	12	12	12	12	12	12
	D	12	12	12	12	12	12
	C	12	12	12	12	12	12
	B	12	12	12	12	12	12
	A	12	12	12	12	12	12
89006-X43LF	E	2	2	2	2	2	2
	D	2	2	2	2	2	2
	C	2	2	2	2	2	2
	B	2	2	2	2	2	2
	A	4	4	4	4	4	4
89006-X47LF	E	2	2	2	2	2	2
	D	3	3	3	3	3	3
	C	2	2	2	2	2	2
	B	2	2	2	2	2	2
	A	3	3	3	3	3	3
89006-X51LF	E	6	6	6	6	6	6
	D	5	5	5	5	5	5
	C	6	6	6	6	6	6
	B	6	6	6	6	6	6
	A	7	7	7	7	7	7
89006-X55LF	E	5	5	5	5	5	5
	D	20	20	20	20	20	20
	C	5	5	5	5	5	5
	B	20	20	20	20	20	20
	A	5	5	5	5	5	5
89006-X40LF	E	2	2	2	2	2	2
	D	2	2	2	2	2	2
	C	2	2	2	2	2	2
	B	4	4	4	4	4	4
	A	2	2	2	2	2	2
89006-X44LF	E	1	1	1	1	1	1
	D	3	3	3	3	3	3
	C	4	4	4	4	4	4
	B	3	3	3	3	3	3
	A	1	1	1	1	1	1
89006-X48LF	E	19	19	19	19	19	19
	D	19	19	19	19	19	19
	C	19	19	19	19	19	19
	B	19	19	19	19	19	19
	A	19	19	19	19	19	19
89006-X52LF	E	6	6	6	6	6	6
	D	8	8	8	8	8	8
	C	8	8	8	8	8	8
	B	7	7	7	7	7	7
	A	8	8	8	8	8	8
89006-X56LF	E	6	6	6	6	6	6
	D	6	6	6	6	6	6
	C	8	8	8	8	8	8
	B	6	6	6	6	6	6
	A	6	6	6	6	6	6
89006-X60LF	E	10	10	10	10	10	10
	D	10	10	10	10	10	10
	C	10	10	10	10	10	10
	B	12	12	12	12	12	12
	A	10	10	10	10	10	10

spec ref	*	dr	Terran Huang	2010/07/09	projection	MM	size	A4	scale	1:1	
tolerance std	ISO 406 ISO 1101	eng	Rahul Mohan-M	2021/08/26			ecn no	ELX-I-41238-1			
TOLERANCES UNLESS OTHERWISE SPECIFIED		chr	-	-			product family	METRAL	rel level	Released	
surface	3.200 ✓ ISO 1302	appr	Kuriakose, San	2021/08/26	METRAL			rel level	Released		
	linear	0.X	±0.3	Amphenol FCI	METRAL SIGNAL HEADER			dwg no	89006	rev	BS
		0.XX	±0.13		1 MOD, 5 ROW PRESS-FIT						
	angular	0°	±2°		www.fci.com	cat. no.	-	Product - Customer Drw		sheet 4 of 10	

A	89006-X61LF	CONTACT CODE MOD. I	89006-X65LF	CONTACT CODE MOD. I	89006-X69LF	CONTACT CODE MOD. I	89006-X73LF	CONTACT CODE MOD. I	89006-X77LF	CONTACT CODE MOD. I	89006-X81LF	CONTACT CODE MOD. I
	ROW	1 2 3 4 5 6	ROW	1 2 3 4 5 6	ROW	1 2 3 4 5 6	ROW	1 2 3 4 5 6	ROW	1 2 3 4 5 6	ROW	1 2 3 4 5 6
	E	10 10 10 10 10 10	E	9 9 9 9 9 9	E	12 12 12 12 12 12	E	4 4 4 4 4 4	E	3 3 3 3 3 3	E	7 7 7 7 7 7
	D	9 9 9 9 9 9	D	21 21 21 21 21 21	D	11 11 11 11 11 11	D	4 4 4 4 4 4	D	19 19 19 19 19 19	D	20 20 20 20 20 20
	C	10 10 10 10 10 10	C	9 9 9 9 9 9	C	11 11 11 11 11 11	C	4 4 4 4 4 4	C	4 4 4 4 4 4	C	7 7 7 7 7 7
B	10 10 10 10 10 10	B	21 21 21 21 21 21	B	11 11 11 11 11 11	B	4 4 4 4 4 4	B	3 3 3 3 3 3	B	20 20 20 20 20 20	
A	11 11 11 11 11 11	A	9 9 9 9 9 9	A	21 21 21 21 21 21	A	13 13 13 13 13 13	A	3 3 3 3 3 3	A	7 7 7 7 7 7	
B	89006-X62LF	CONTACT CODE MOD. I	89006-X66LF	CONTACT CODE MOD. I	89006-X70LF	CONTACT CODE MOD. I	89006-X74LF	CONTACT CODE MOD. I	89006-X78LF	CONTACT CODE MOD. I	89006-X82LF	CONTACT CODE MOD. I
	ROW	1 2 3 4 5 6	ROW	1 2 3 4 5 6	ROW	1 2 3 4 5 6	ROW	1 2 3 4 5 6	ROW	1 2 3 4 5 6	ROW	1 2 3 4 5 6
	E	10 10 10 10 10 10	E	10 10 10 10 10 10	E	2 2 2 2 2 2	E	13 13 13 13 13 13	E	13 13 13 13 13 13	E	20 20 20 20 20 20
	D	12 12 12 12 12 12	D	10 10 10 10 10 10	D	2 2 2 2 2 2	D	4 4 4 4 4 4	D	16 16 16 16 16 16	D	5 5 5 5 5 5
	C	12 12 12 12 12 12	C	12 12 12 12 12 12	C	3 3 3 3 3 3	C	3 3 3 3 3 3	C	2 2 2 2 2 2	C	5 5 5 5 5 5
B	11 11 11 11 11 11	B	10 10 10 10 10 10	B	2 2 2 2 2 2	B	4 4 4 4 4 4	B	16 16 16 16 16 16	B	5 5 5 5 5 5	
A	12 12 12 12 12 12	A	10 10 10 10 10 10	A	2 2 2 2 2 2	A	13 13 13 13 13 13	A	13 13 13 13 13 13	A	20 20 20 20 20 20	
C	89006-X63LF	CONTACT CODE MOD. I	89006-X67LF	CONTACT CODE MOD. I	89006-X71LF	CONTACT CODE MOD. I	89006-X75LF	CONTACT CODE MOD. I	89006-X79LF	CONTACT CODE MOD. I	89006-X83LF	CONTACT CODE MOD. I
	ROW	1 2 3 4 5 6	ROW	1 2 3 4 5 6	ROW	1 2 3 4 5 6	ROW	1 2 3 4 5 6	ROW	1 2 3 4 5 6	ROW	1 2 3 4 5 6
	E	10 10 10 10 10 10	E	10 10 10 10 10 10	E	3 3 3 3 3 3	E	3 3 3 3 3 3	E	3 3 3 3 3 3	E	8 8 8 8 8 8
	D	10 10 10 10 10 10	D	11 11 11 11 11 11	D	19 19 19 19 19 19	D	3 3 3 3 3 3	D	3 3 3 3 3 3	D	8 8 8 8 8 8
	C	10 10 10 10 10 10	C	10 10 10 10 10 10	C	3 3 3 3 3 3	C	2 2 2 2 2 2	C	4 4 4 4 4 4	C	8 8 8 8 8 8
B	10 10 10 10 10 10	B	10 10 10 10 10 10	B	19 19 19 19 19 19	B	3 3 3 3 3 3	B	19 19 19 19 19 19	B	8 8 8 8 8 8	
A	12 12 12 12 12 12	A	11 11 11 11 11 11	A	3 3 3 3 3 3	A	3 3 3 3 3 3	A	4 4 4 4 4 4	A	14 14 14 14 14 14	
D	89006-X64LF	CONTACT CODE MOD. I	89006-X68LF	CONTACT CODE MOD. I	89006-X72LF	CONTACT CODE MOD. I	89006-X76LF	CONTACT CODE MOD. I	89006-X80LF	CONTACT CODE MOD. I	89006-X84LF	CONTACT CODE MOD. I
	ROW	1 2 3 4 5 6	ROW	1 2 3 4 5 6	ROW	1 2 3 4 5 6	ROW	1 2 3 4 5 6	ROW	1 2 3 4 5 6	ROW	1 2 3 4 5 6
	E	9 9 9 9 9 9	E	21 21 21 21 21 21	E	19 19 19 19 19 19	E	1 1 1 1 1 1	E	6 6 6 6 6 6	E	14 14 14 14 14 14
	D	11 11 11 11 11 11	D	21 21 21 21 21 21	D	1 1 1 1 1 1	D	1 1 1 1 1 1	D	6 6 6 6 6 6	D	8 8 8 8 8 8
	C	12 12 12 12 12 12	C	21 21 21 21 21 21	C	1 1 1 1 1 1	C	1 1 1 1 1 1	C	7 7 7 7 7 7	C	7 7 7 7 7 7
B	11 11 11 11 11 11	B	21 21 21 21 21 21	B	1 1 1 1 1 1	B	1 1 1 1 1 1	B	6 6 6 6 6 6	B	8 8 8 8 8 8	
A	9 9 9 9 9 9	A	21 21 21 21 21 21	A	19 19 19 19 19 19	A	4 4 4 4 4 4	A	6 6 6 6 6 6	A	14 14 14 14 14 14	

spec ref	*	dr	Terran Huang	2010/07/09	projection	MM	size	A4	scale	1:1
tolerance std	ISO 406 ISO 1101	eng	Rahul Mohan-M	2021/08/26			ecn no	ELX-I-41238-1		
surface	3.200 ✓ ISO 1302	chr	-	-			rel level	Released		
	linear	appr	Kuriakose, San	2021/08/26	product family	METRAL			rev	BS
	angular	Amphenol FCI		METRAL SIGNAL HEADER			dwg no	89006		
	0.X ±0.3	www.fci.com		1 MOD, 5 ROW PRESS-FIT			Product - Customer Drw		sheet 5 of 10	
	0.XX ±0.13	cat. no.		-						
	0.XXX ±0.050									
	0° ±2°									

A	METRAL P/N	ROW	CONTACT CODE MOD. I						89006-X85LF	ROW	CONTACT CODE MOD. I						89006-X89LF	ROW	CONTACT CODE MOD. I						89006-X93LF	ROW	CONTACT CODE MOD. I						89006-X97LF	ROW	CONTACT CODE MOD. I						89006-X101LF	ROW	CONTACT CODE MOD. I						89006-X105LF	ROW	CONTACT CODE MOD. I					
	E	7	7	7	7	7	7	E			7	7	7	7	7	E			12	12	12	12	12	12			E	11	11	11	11	11			11	E	1	1	4	4			4	4	E	19	2	19			2	2	2			
	D	7	7	7	7	7	7	D			7	7	7	7	7	D			12	12	12	12	12	12			D	21	21	21	21	21			21	D	1	1	4	4			4	4	D	19	2	19			2	2	2			
	C	6	6	6	6	6	6	C			8	8	8	8	8	C			12	12	12	12	12	12			C	1	1	4	4	4			4	C	19	2	19	2			2	2												
	B	7	7	7	7	7	7	B			17	17	17	17	17	B			12	12	12	12	12	12			B	11	11	11	11	11			11	B	1	1	4	4			4	4	B	19	2	19			2	2	2			
A	7	7	7	7	7	7	A	20	20	20	20	20	A	15	15	15	15	15	15	A	11	11	11	11	11	11	A	1	1	4	4	4	4	A	19	2	19	2	2	2																

spec ref	*	dr	Terran Huang	2010/07/09	projection	MM	size	A4	scale	1:1		
tolerance std	TOLERANCES UNLESS OTHERWISE SPECIFIED	eng	Rahul Mohan-M	2021/08/26			ecn no	ELX-I-41238-1	rel level	Released		
ISO 406		chr	-	-								
ISO 1101		appr	Kuriakose, San	2021/08/26							product family	METRAL
surface	3.200		METRAL SIGNAL HEADER			dwg no	89006	rev	BS			
	linear										0.X	±0.3
	angular										0°	±2°
ISO 1302		www.fci.com	cat. no.	-	Product - Customer Drw			sheet 6 of 10				

A	METRAL P/N	ROW	CONTACT CODE MOD. I					METRAL P/N	ROW	CONTACT CODE MOD. I					METRAL P/N	ROW	CONTACT CODE MOD. I					METRAL P/N	ROW	CONTACT CODE MOD. I					METRAL P/N	ROW	CONTACT CODE MOD. I												
	89006-X109LF	E	59	59	59	59	59	89006-X113LF	E	6	6	6	6	5	89006-X117LF	E	6	6	6	6	6	89006-X121LF	E	8	6	6	6	6	89006-X125LF	E	6	6	6	6	6	89006-X129LF	E	2	2	2	2	4	
		D	59	59	59	59	59		D	6	6	6	6	6		D	8	6	6	6	6		D	6	6	6	6	6		D	2	2	2	2	4								
		C	59	59	59	59	59		C	6	6	6	6	6		C	6	6	6	6	6		C	20	20	20	20	20		C	2	2	2	2	4								
		B	59	59	59	59	59		B	6	6	6	6	6		B	6	8	6	6	6		B	6	6	6	6	6		B	2	2	2	2	4								
A	7	7	7	7	7	A	6	6	6	6	6	A	6	8	6	6	6	A	6	6	6	6	6	A	2	2	2	2	2														
B	METRAL P/N	ROW	CONTACT CODE MOD. I					METRAL P/N	ROW	CONTACT CODE MOD. I					METRAL P/N	ROW	CONTACT CODE MOD. I					METRAL P/N	ROW	CONTACT CODE MOD. I					METRAL P/N	ROW	CONTACT CODE MOD. I												
	89006-X110LF	E	3	2	2	2	2	89006-X114LF	E	4	2	3	3	2	4	89006-X118LF	E	8	6	6	6	6	89006-X122LF	E	3	3	3	2	2	89006-X126LF	E	2	2	2	4	2	89006-X130LF	E	2	2	2	2	2
		D	3	2	2	2	2		D	4	2	3	3	2	4		D	8	6	6	6	6		D	2	2	2	2	2		D	2	2	2	4	2		D	4	4	4	4	4
		C	3	2	2	2	2		C	4	2	3	3	2	4		C	8	6	6	6	6		C	2	2	2	2	2		C	2	2	2	4	2		C	4	4	4	4	4
		B	3	2	2	2	2		B	4	2	3	3	2	4		B	8	6	6	6	6		B	2	2	2	2	2		B	2	2	2	4	2		B	4	4	4	4	4
A	3	2	2	2	2	A	4	2	3	3	2	4	A	8	6	6	6	6	A	2	2	2	2	2	A	2	2	2	2	2	A	2	2	2	2	2							
C	METRAL P/N	ROW	CONTACT CODE MOD. I					METRAL P/N	ROW	CONTACT CODE MOD. I					METRAL P/N	ROW	CONTACT CODE MOD. I					METRAL P/N	ROW	CONTACT CODE MOD. I					METRAL P/N	ROW	CONTACT CODE MOD. I												
	89006-X111LF	E	2	2	2	2	3	89006-X115LF	E	2	2	2	1	2	2	89006-X119LF	E	2	2	2	2	2	89006-X123LF	E	2	2	2	2	2	89006-X127LF	E	2	2	4	2	2	89006-X131LF	E	8	6	6	8	6
		D	2	2	2	2	3		D	2	2	2	1	2	2		D	2	2	2	2	2		D	2	4	4	2	2		D	8	6	6	8	6							
		C	2	2	2	2	3		C	2	2	2	1	2	2		C	1	2	2	2	2		C	19	19	19	19	19		C	2	4	4	2	2		C	8	8	8	8	5
		B	2	2	2	2	3		B	2	2	2	1	2	2		B	1	2	2	2	2		B	2	2	2	2	2		B	2	4	4	2	2		B	8	6	6	8	6
A	2	2	2	2	3	A	1	2	2	1	2	2	A	1	2	2	2	2	A	2	2	2	2	2	A	2	2	4	2	2	A	8	6	6	8	6							
D	METRAL P/N	ROW	CONTACT CODE MOD. I					METRAL P/N	ROW	CONTACT CODE MOD. I					METRAL P/N	ROW	CONTACT CODE MOD. I					METRAL P/N	ROW	CONTACT CODE MOD. I					METRAL P/N	ROW	CONTACT CODE MOD. I												
	89006-X112LF	E	7	6	6	6	6	89006-X116LF	E	5	6	6	6	6	89006-X120LF	E	2	2	2	2	4	89006-X124LF	E	2	2	2	1	2	2	89006-X128LF	E	2	2	2	4	2	89006-X132LF	E	8	6	7	6	6
		D	7	6	6	6	6		D	5	6	6	6	6		D	2	2	2	2	4		D	2	2	2	2	2	D		2	2	2	4	2	D		8	6	7	6	6	
		C	7	6	6	6	6		C	5	6	6	6	6		C	2	2	2	2	4		C	2	2	2	2	2	C		2	2	2	4	2	C		5	6	6	8	6	
		B	7	6	6	6	6		B	5	6	6	6	6		B	2	2	2	2	4		B	2	2	2	2	2	B		2	2	2	4	2	B		8	8	7	8	6	
A	7	6	6	6	6	A	5	6	6	6	6	A	2	2	2	2	4	A	2	2	2	2	2	A	2	2	2	4	2	A	8	8	7	8	6								

spec ref	*	dr	Terran Huang	2010/07/09	projection	size	A4	scale	1:1
tolerance std	TOLERANCES UNLESS OTHERWISE SPECIFIED	eng	Rahul Mohan-M	2021/08/26		MM	ecn no	ELX-I-41238-1	
ISO 406		chr	-	-				rel level	Released
ISO 1101		appr	Kuriakose, San	2021/08/26	product family	METRAL		rev	BS
surface	3.200	Amphenol FCI			METRAL SIGNAL HEADER			dwg no	89006
ISO 1302	angular	0°	±0.3	www.fci.com	cat. no.	-	Product - Customer Drw	sheet	7 of 10
	0.X		±0.3						
	0.XX		±0.13						
	0.XXX		±.050						
	angular	0°	±2°						

METRAL P/N	ROW	CONTACT CODE MOD. I						METRAL P/N	ROW	CONTACT CODE MOD. I						METRAL P/N	ROW	CONTACT CODE MOD. I						METRAL P/N	ROW	CONTACT CODE MOD. I						METRAL P/N	ROW	CONTACT CODE MOD. I																										
		1	2	3	4	5	6			1	2	3	4	5	6			1	2	3	4	5	6			1	2	3	4	5	6			1	2	3	4	5	6	1	2	3	4	5	6															
89006-X133LF	E	2	2	2	2	2	89006-X137LF	E	2	2	2	3	3	2	89006-X141LF	E	1	1	1	1	3	3	89006-X145LF	E	5	5	1	1	7	5	89006-X149LF	E	2	2	2	2	2	1	89006-X153LF	E	2	2	2	2	2	2														
	D	2	2	2	2	2		D	2	2	2	3	3	2		D	1	1	1	1	3	3		D	5	5	1	1	7	5		D	2	2	2	2	2	2		D	2	2	2	2	2	2														
	C	2	2	2	2	2		C	2	2	2	3	3	2		C	3	3	3	3	3	3		C	5	5	1	1	7	7		C	2	2	2	2	2	2		C	2	2	2	2	2	2	C	2	2	2	2	2	2							
	B	2	2	2	2	2		B	2	2	2	3	3	2		B	1	1	1	1	3	1		B	5	5	1	1	7	5		B	2	2	2	2	2	2		B	2	2	2	2	2	2	B	2	2	2	2	2	2	B	2	2	2	2	2	2
	A	2	2	1	2	2		2	A	2	2	2	3	3		2	A	1	1	1	1	3		1	A	5	5	1	1	7		5	A	2	2	2	2	2		2	A	2	2	2	2	2	2	A	4	2	2	2	2	2						

spec ref	*	dr	Terran Huang	2010/07/09	projection	size	A4	scale	1:1				
tolerance std	TOLERANCES UNLESS OTHERWISE SPECIFIED	eng	Rahul Mohan-M	2021/08/26		MM		ecn no	ELX-I-41238-1				
ISO 406		chr	-	-				rel level	Released				
ISO 1101		appr	Kuriakose, San	2021/08/26	product family	METRAL							
surface	3.200	near	0.X	±0.3	Amphenol FCI	METRAL SIGNAL HEADER	dwg no	89006	rev				
ISO 1302	angular	0.XX	±0.13	www.fci.com						cat. no.	-	Product - Customer Drw	sheet 8 of 10
		0.XXX	±0.050										
		angular	0°	±2°					BS				

Creo F114:ELX-MC-AAC,REV F,2020-12-21

METRAL P/N	ROW	CONTACT CODE MOD. I					
		1	2	3	4	5	6
89006-X157LF	E	2	2	2	2	2	19
	D	2	2	2	2	2	19
	C	2	2	2	2	2	19
	B	2	2	2	2	2	19
	A	2	2	1	2	2	19

METRAL P/N	ROW	CONTACT CODE MOD. I					
		1	2	3	4	5	6
89006-X158LF	E	19	2	19	2	19	19
	D	19	2	19	2	19	19
	C	19	2	19	2	19	19
	B	19	2	19	2	19	19
	A	19	2	19	2	19	19

METRAL P/N	ROW	CONTACT CODE MOD. I					
		1	2	3	4	5	6
89006-X159LF	E	2	2	2	2	4	19
	D	2	2	2	2	2	19
	C	2	2	2	2	2	19
	B	2	2	2	2	2	19
	A	2	2	1	2	2	19

METRAL P/N	ROW	CONTACT CODE MOD. I					
		1	2	3	4	5	6
89006-X160LF	E	2	2	2	2	2	1
	D	2	2	2	2	2	2
	C	4	4	4	4	4	4
	B	2	2	2	2	2	2
	A	2	2	2	2	2	2

spec ref	*	dr	Terran Huang	2010/07/09	projection 	MM ←————→	size	A4	scale	1:1
tolerance std	TOLERANCES UNLESS OTHERWISE SPECIFIED	eng	Rahul Mohan-M	2021/08/26			ecn no	ELX-I-41238-1		
ISO 406 ISO 1101		chr	-	-			rel level	Released		
surface	3.200 linear	appr	Kuriakose, San	2021/08/26	product family	METRAL	dwg no	89006	rev	BS
ISO 1302	angular	0°	±2°	www.fci.com	cat. no.	-	Product - Customer Drw	sheet	9 of 10	