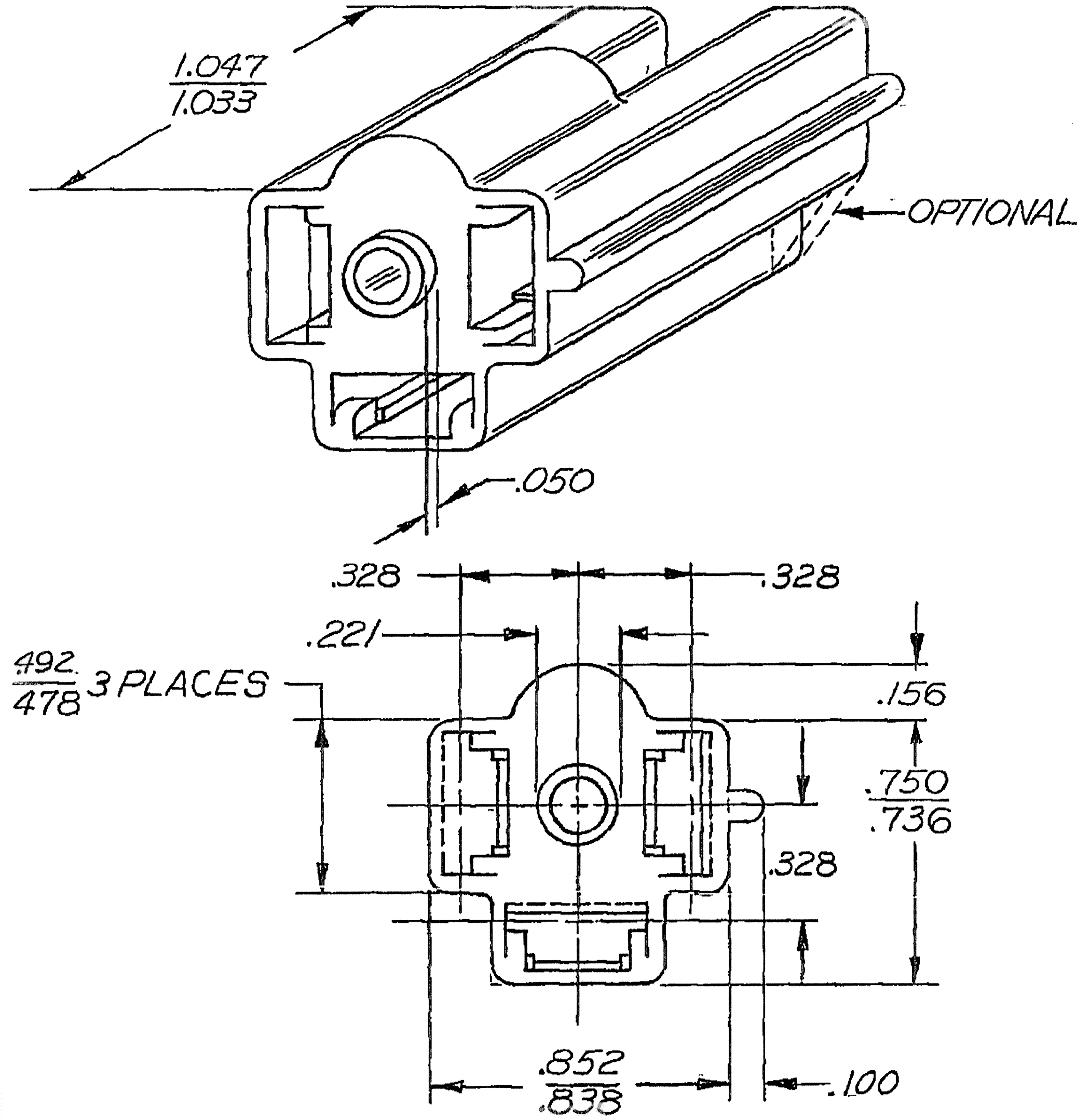


DWG STATUS					ZONE	REVISION HISTORY	AUTH	DR	APVD1	APVD2
DATE	STG	REV	N/P	CHG						
01AP70						OBSOLETE	38520			
11MR72						REINSTATED	45634			
18FE75		C				RIB ADDED	55017			
060C04	R	04	-	-		MATERIAL WAS R0063781	257297	MJM	MJM	ET



DELPHI

DELPHI PACKARD ELECTRIC SYSTEMS
WARREN, OH

DATE	
DR W. CROSS	19MR70
APVD1 SEWERISON	19MR70
APVD2 D. GHIRARDI	01AP70
APVD3 PEARCE	01AP70
APVD4	
APVD5	

SUBSTANCES OF CONCERN AND RECYCLED
CONTENT PER DELPHI 10949001

MATERIAL
M2097003 PP 1M GRA

DRAWING NAME
CONN 3 F 59 GRA

DRAWING NUMBER
08905394

SIZE	SCALE	FRAME NO	SHEET NO	STG	REV	N/P
A2	NTS	1 OF 1	1 OF 1	R	04	-

DWG TYPE PART DRAWING

STYLE

VOLUME (CM³)

DISTR CODE D

UNLESS OTHERWISE SPECIFIED

THIS DOCUMENT IS IN ACCORDANCE WITH ASME Y14.5M-1994 AS AMENDED BY THE GM GLOBAL DIMENSIONING AND TOLERANCING ADDENDUM - 1997. ALL GEOMETRIC TOLERANCES AND RELATED DATUMS APPLY RFS. RULE #1 (PERFECT FORM AT MMC) DOES NOT APPLY WHEN RELATIONSHIP BETWEEN FEATURES IS ESTABLISHED BY ORIENTATION OR LOCATION TOLERANCES. SEPARATE POSITION CALLOUTS MAY BE GAGED SEPARATELY, REGARDLESS OF DATUM REFERENCE. ALL DIMENSIONS ARE IN INCHES

REFERENCE

THIRD ANGLE PROJECTION

DO NOT SCALE

USE MATH DATA

TOLERANCE UNLESS OTHERWISE SPECIFIED

DECIMAL: TWO PLACE ±.01
ANGULAR ±2°
THREE PLACE ±.005

NOTES

- MATERIAL RECYCLING CODE PER SAE J1344. RAISED CHARACTERS AS SHOWN TO BE LOCATED ON ANY EXTERIOR SURFACE. OPTIONAL CONSTRUCTION TO BE NO MATERIAL RECYCLING CODE.
- RAISED DELPHI CORPORATE BRAND TO BE LOCATED ON ANY EXTERIOR SURFACE, PREFERABLY VISIBLE AT FINAL ASSEMBLY. OPTIONAL CONSTRUCTION TO BE "PED" OR NO LOGO.
- MATES WITH 5/16 BLADE ON HEADLAMP. (REF)

User: czr04g Part: 08905394-CUS01-S01 Date: 05-Oct-04 Time: 12:51 Message: