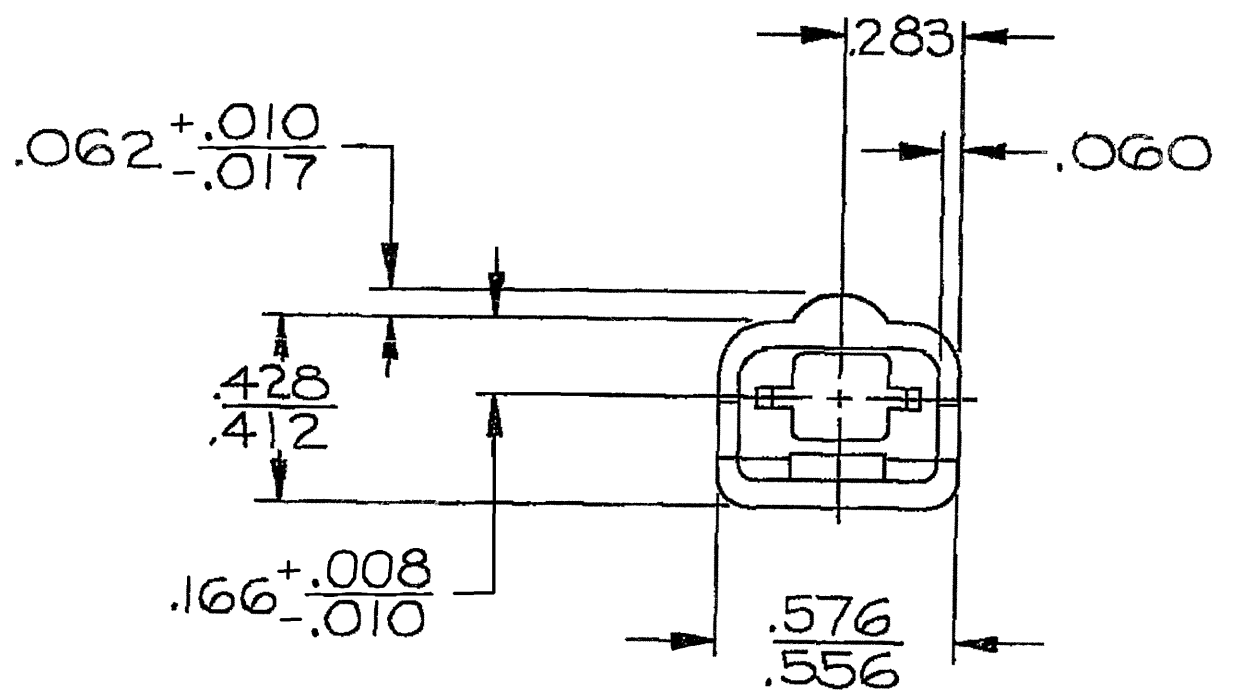
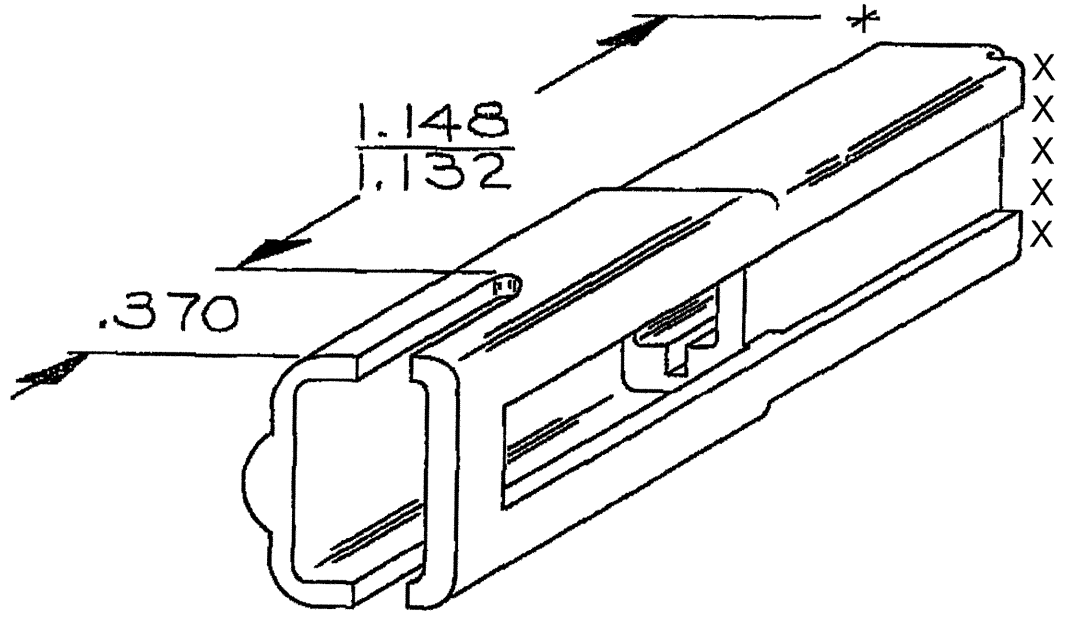


DWG STATUS					ZONE	REVISION HISTORY	AUTH	DR	APVD 1	APVD 2
DATE	STG	REV	N/P	CHG						
070C04	R	04	-	-		TAXI CREATED, ALL PARTS WERE ON SEPARATE PD'S	257719	MJM	MJM	ET
28AP05	R	05	-	-		ALL ACTIVE PARTS - .062 +.010/-.017 WAS .062 AND .166 +.008/-.010 WAS .169	266532	MJM	MJM	ET



NOTES

- UNLESS OTHERWISE SPECIFIED AND/OR INDICATED:
DIMENSIONS ARE TO FACE OF VIEW SHOWN
- MATERIAL RECYCLING CODE PER ISO 11469. (.09)X(.004) RAISED CHARACTERS TO BE LOCATED ON ANY EXTERIOR SURFACE. OPTIONAL CONSTRUCTION TO BE NO MATERIAL RECYCLING CODE.
- THIS PART IS CONTROLLED FOR AUTOMATIC FEEDING. FLASH, GATES, OR ANY TYPE OF PROTRUSIONS ARE NOT PERMISSIBLE ON AREAS INDICATED BY XXXX'S.
- REFERENCE MATING COMPONENTS OR EQUIVALENT:
CONNECTOR 02973778
- (.09)X(.004) RAISED DELPHI CORPORATE BRAND TO BE LOCATED ON ANY EXTERIOR SURFACE, PREFERABLY VISIBLE AT FINAL ASSEMBLY. OPTIONAL CONSTRUCTION TO BE "PED" OR NO LOGO.

PART NO	REV	N/P	STATUS	MATERIAL SPEC AND COLOR
12015020	03	AA	-	M2097007 PP IM GRN
12010538	B	-	OBSOLETE	R-63782 (POLYP.-ORANGE)
08905650	03	AA	-	M2097002 PP IM NAT
08900420	03	AA	-	M2097001 PP IM BLK

TOLERANCE UNLESS OTHERWISE SPECIFIED:
 DECIMAL: TWO PLACE ±.01
 THREE PLACE ±.005
 ANGULAR ±2°

DWG TYPE PART DRAWING	
STYLE	
VOLUME (CM ³)	DISTR CODE D
UNLESS OTHERWISE SPECIFIED <small>THIS DOCUMENT IS IN ACCORDANCE WITH ASME Y14.5M-1994 AS AMENDED BY THE GM GLOBAL DIMENSIONING AND TOLERANCING ADDENDUM - 1997. ALL GEOMETRIC TOLERANCES AND RELATED DATUMS APPLY RFS. RULE #1 (PERFECT FORM AT MMC) DOES NOT APPLY WHEN RELATIONSHIP BETWEEN FEATURES IS ESTABLISHED BY ORIENTATION OR LOCATION TOLERANCES. SEPARATE POSITION CALLOUTS MAY BE GAGED SEPARATELY, REGARDLESS OF DATUM REFERENCE. ALL DIMENSIONS ARE IN INCHES</small>	
REFERENCE	THIRD ANGLE PROJECTION
	DO NOT SCALE USE MATH DATA

DELPHI
 DELPHI PACKARD ELECTRIC SYSTEMS
 WARREN, OH

DR	DATE
APVD1 M. MAYER	070C04
APVD2 M. MAYER	070C04
APVD3 ERIC TRACEY	080C04
APVD4	
APVD5	

SUBSTANCES OF CONCERN AND RECYCLED CONTENT PER DELPHI 10949001

MATERIAL SEE CHART

DRAWING NAME
TAXI CONN 56

DRAWING NUMBER
08905651

SIZE	SCALE	FRAME NO	SHEET NO	STG	REV	N/P
A2	N/A	1 OF 1	1 OF 1	R	05	-