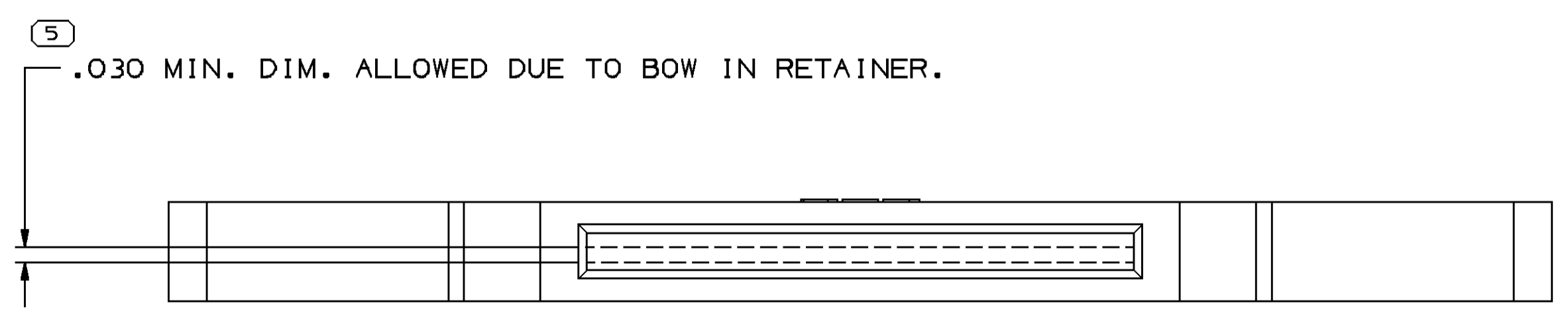
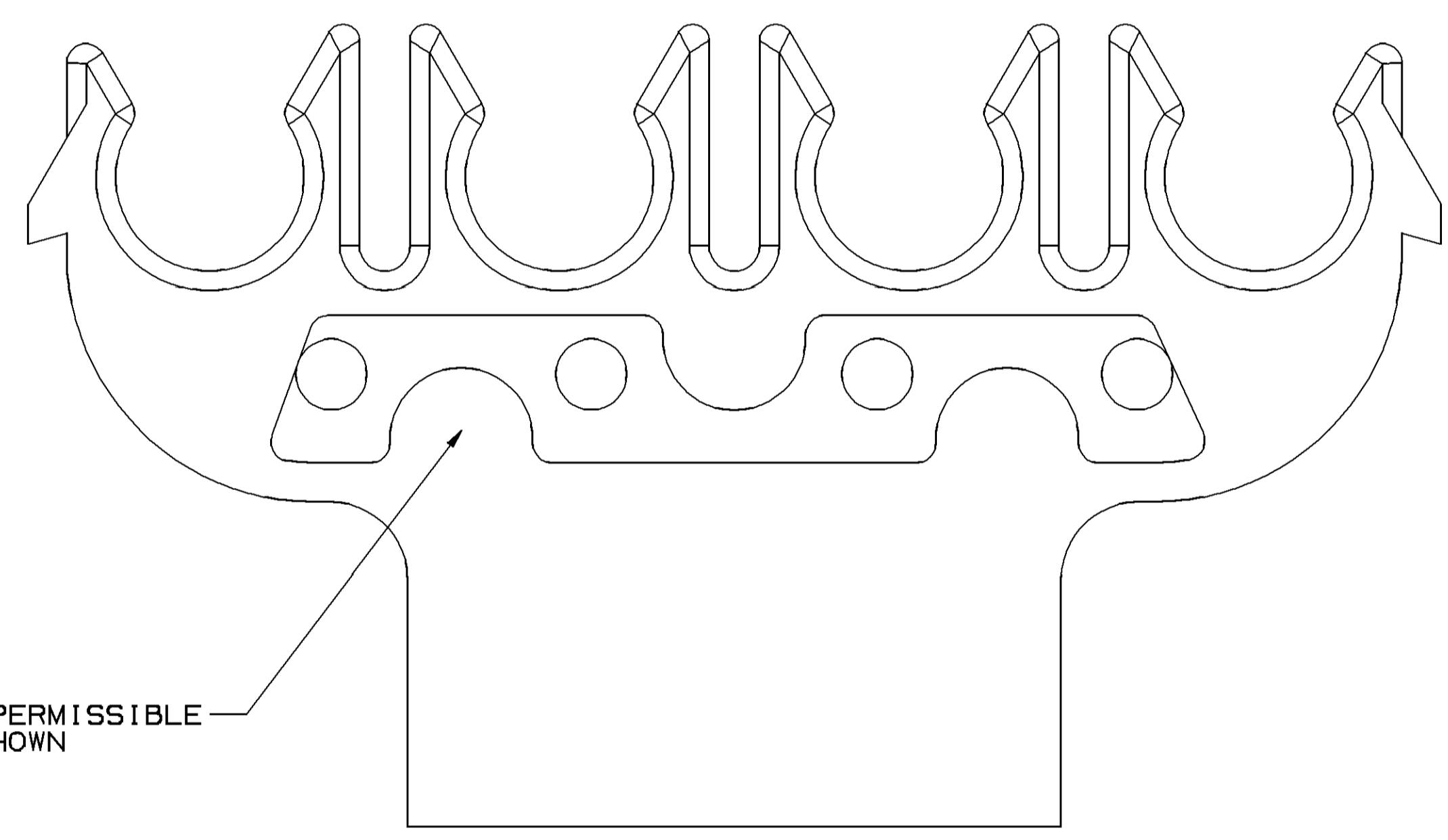
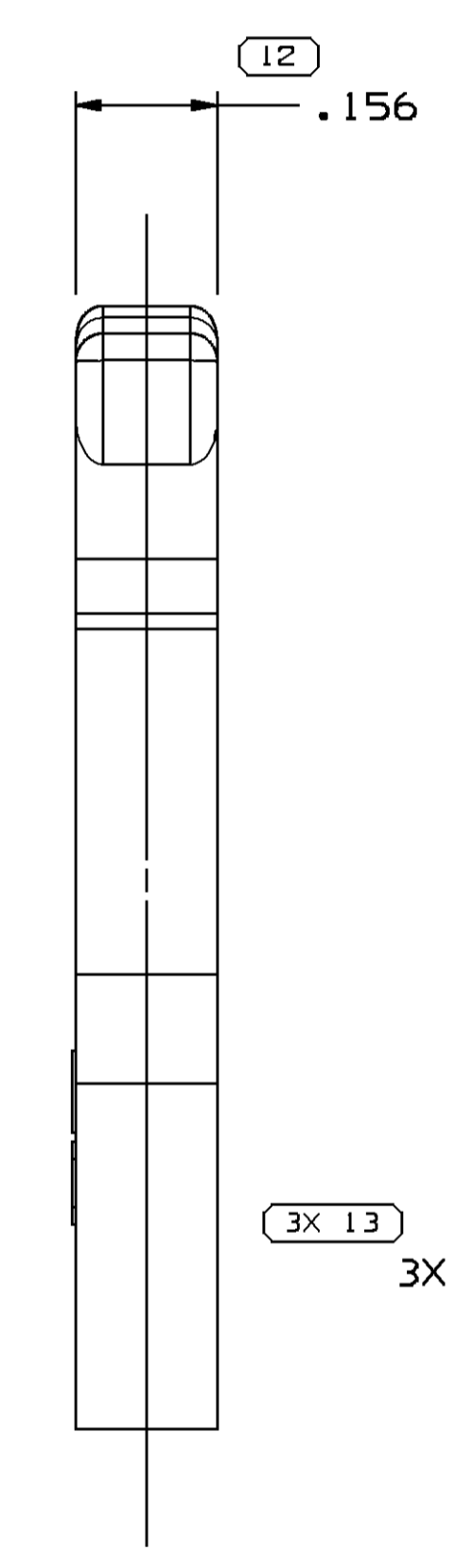
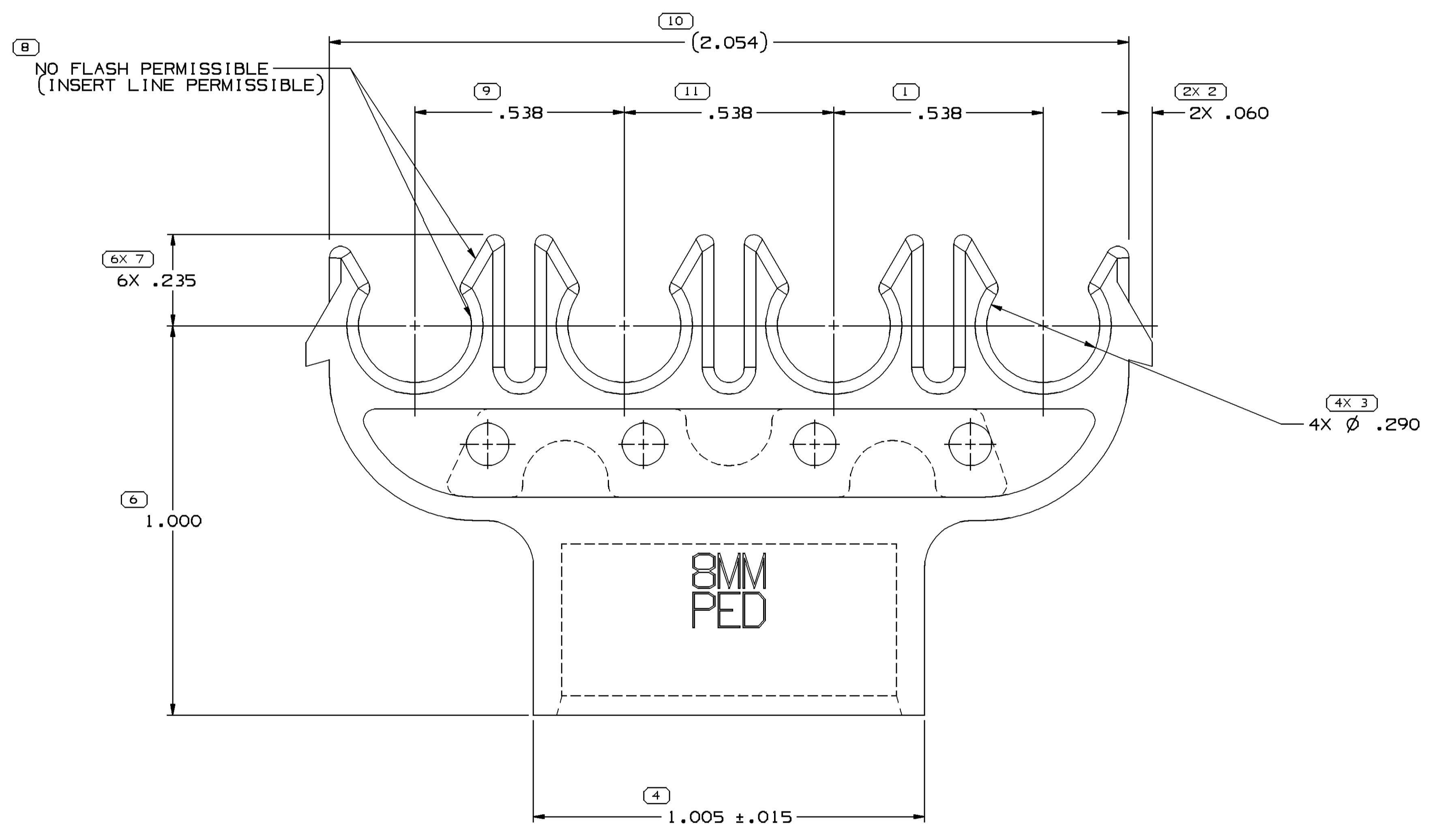
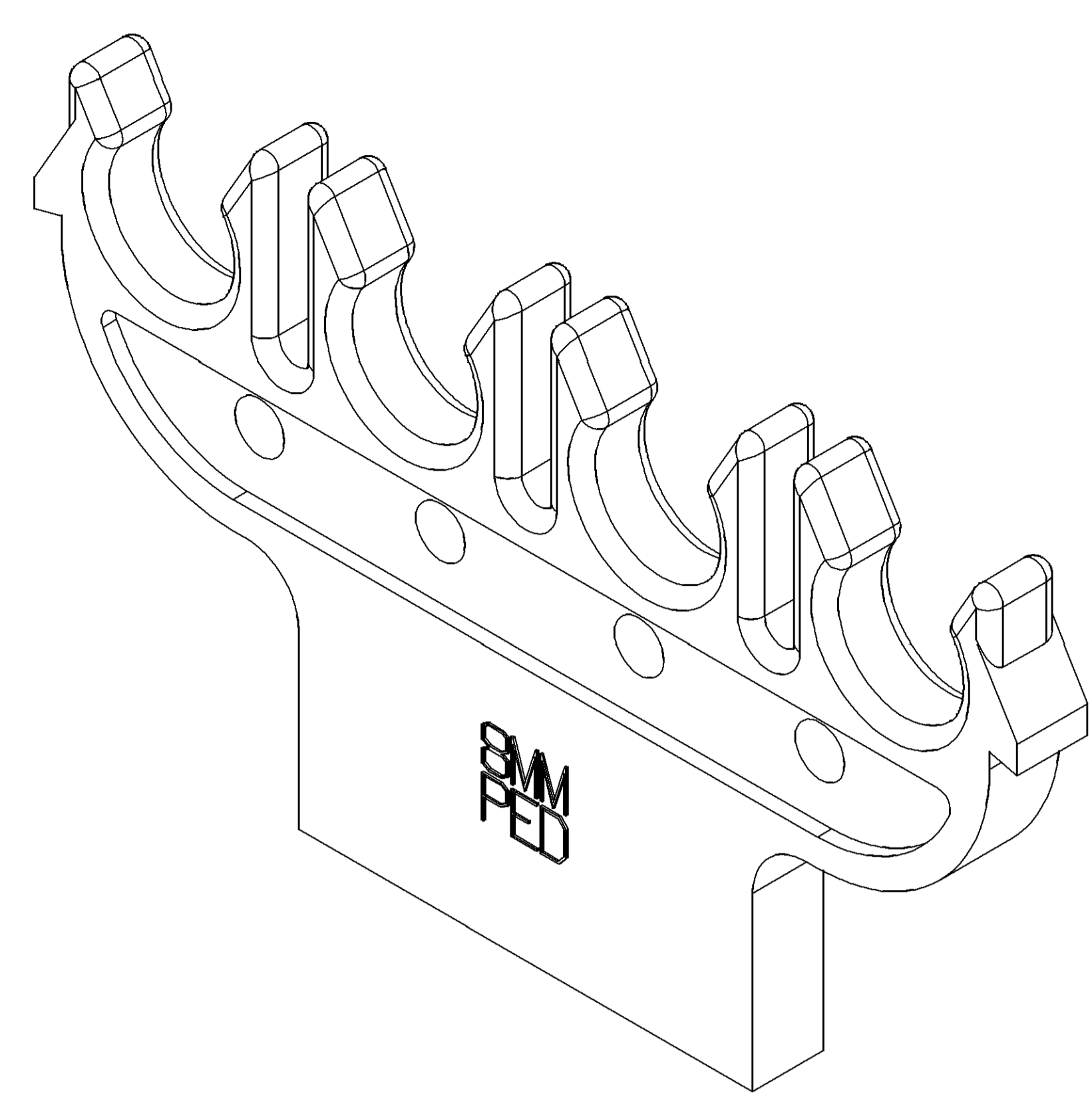
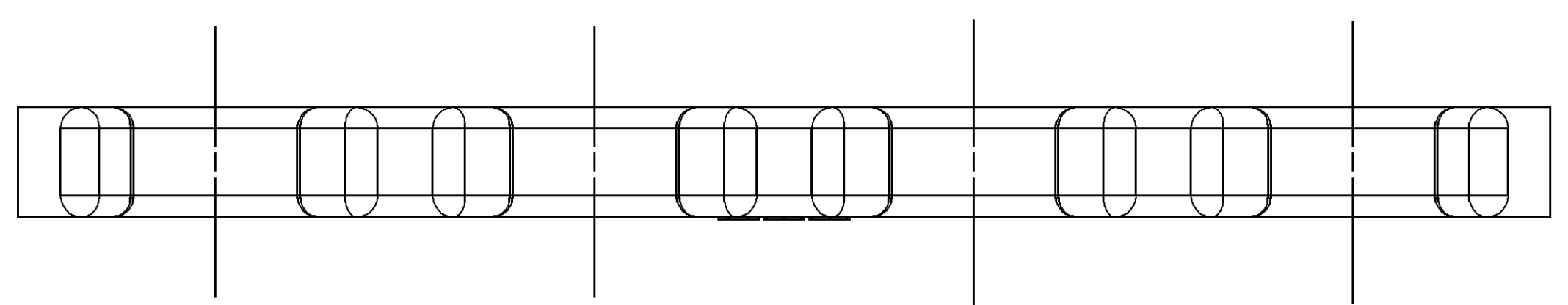


SYMBOL DEFINITION		MISSING SYMBOLS	
A DIMENSION WITHOUT AN INSPECTION REPORT SYMBOL DOES NOT REQUIRE INSPECTION. IT MAY BE CONTROLLED ON THE INDIVIDUAL COMPONENT DRAWING.	TOTAL NO OF INSPECTIONS REQUIRED	NO MISSING SYMBOL NUMBER	24
	LAST NO. USED		13

DWG STATUS				REVISION HISTORY				AUTH		DR		APVD	
DATE	STG	REV	N/P	CHG	ZONE								
16JL09	R	F2	-	-		REDRAWN TO PD		408301	EGR	ECB	AG		



NOTES

- UNLESS OTHERWISE SPECIFIED AND/OR INDICATED:
DIMENSIONS ARE TO FACE OF VIEW SHOWN AND AUTOMATICALLY ROUNDED BY COMPUTER FOR INSPECTION (SEE MATH MODEL FOR PRECISE DIMENSIONS). FOR ALL OTHER DIMENSIONS NOT SHOWN BUT REQUIRED FOR TOOL BUILD, SEE MATH MODEL FOR PRECISE TOOL PATH DATA.
- THIS PRODUCT IS NOT CATEGORIZED AS AN APPEARANCE ITEM, MINOR IMPERFECTIONS INCLUDING, BUT NOT LIMITED TO, FLOW MARKS, COLOR BLEMISHES, GATE VESTIGE, AND SOFT FLASH THAT DO NOT AFFECT THE FIT, FORM, OR FUNCTION OF THE PART ARE PERMISSIBLE PER DPNP-4.7-CS-01.
- MATERIAL RECYCLING CODE PER ISO 11469. (.0901X(.004) CHARACTERS AS SHOWN TO BE LOCATED ON ANY EXTERIOR SURFACE. OPTIONAL CONSTRUCTION TO BE NO MATERIAL RECYCLING CODE
- (.0901X(.004) DELPHI CORPORATE BRAND TO BE LOCATED ON ANY EXTERIOR SURFACE, PREFERABLY VISIBLE AT FINAL ASSEMBLY. OPTIONAL CONSTRUCTION FOR EXISTING TOOLING MAY BE "PED".

PART DRAWING	
STYLE	
VOLUME 10/11	DISTR CODE
2,985	D
UNLESS OTHERWISE SPECIFIED	
THIS DOCUMENT IS IN ACCORDANCE WITH ASME Y14.5M-1994 AS AMENDED BY THE 2003 SUPPLEMENT AND THE 2009 SUPPLEMENT. ADDITIONAL SEPARATE WRITINGS OR FEATURES MAY BE BASED SEPARATELY PER POLICY OF DIVISION REFERENCES.	
ALL DIMENSIONS ARE IN INCHES	
REFERENCE	02977555

(S) PROCESS SENSITIVE DIMENSION	
DIMENSIONS ENCLOSED IN (S) INDICATE REFERENCE DIMENSIONS AND NO TOLERANCE LIMITS ARE ESTABLISHED	
DIMENSIONAL RANGE (IN)	CHART IN
FROM 0	>.750 >1.250 >2.750
TO .750 1.250 2.750 4.000	
TOLERANCE UNLESS OTHERWISE SPECIFIED	
1.000 1.000 1.002 1.005 1.000	
ANGULAR TOLERANCE ±2°	

THIRD ANGLE PROJECTION		DO NOT SCALE	
USE MATH DATA			

DELPHI
DELPHI PACKARD ELECTRICAL/ELECTRONIC ARCHITECTURE
WARREN, OH

DR	DATE
APV01 EDMUNDO GAYTAN	26JN09
APV02 E.A.CACHO	26JN09
APV03 ALICIA GUERRERO	16JN09
APV04	
APV05	

SUBSTANCES OF CONCERN AND RECYCLED CONTENT PER DELPHI 10949001

MATERIAL: POLYAMIDE COMPOUND BLACK

DRAWING NAME: MOUN CLIP IGN BMM

DRAWING NUMBER: 08911429

SIZE	SCALE	FRAME NO	SHEET NO	STG	REV	N/P
A0	5:1	1	1	1	R	F2