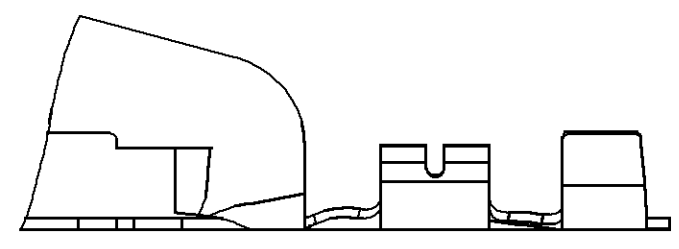
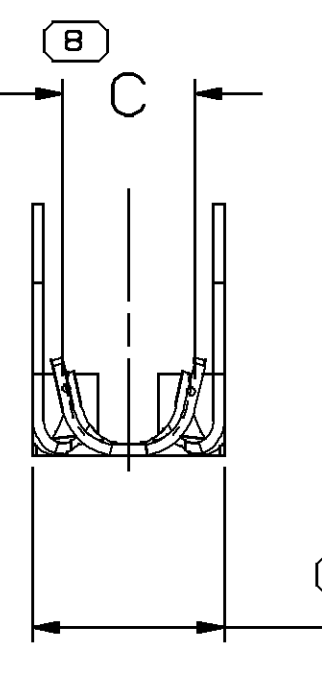
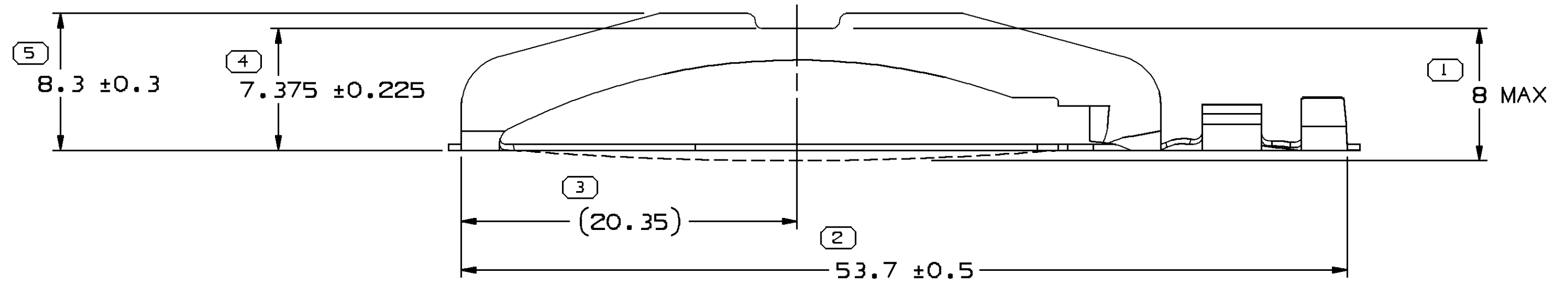
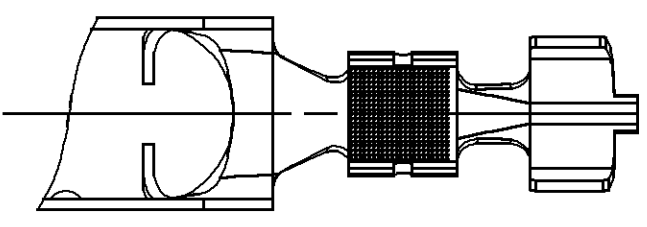
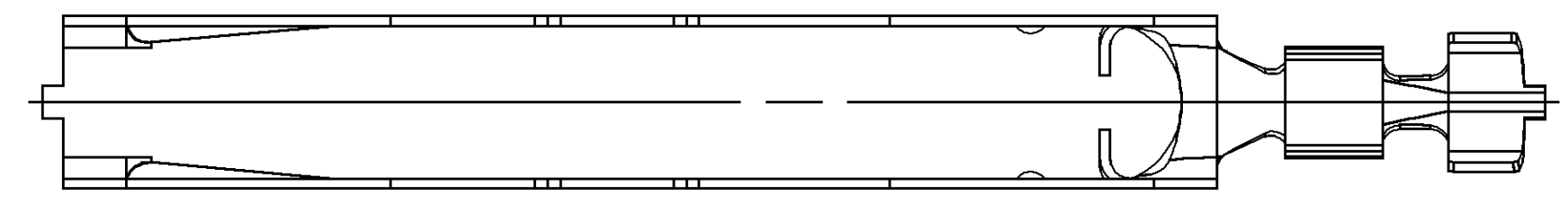
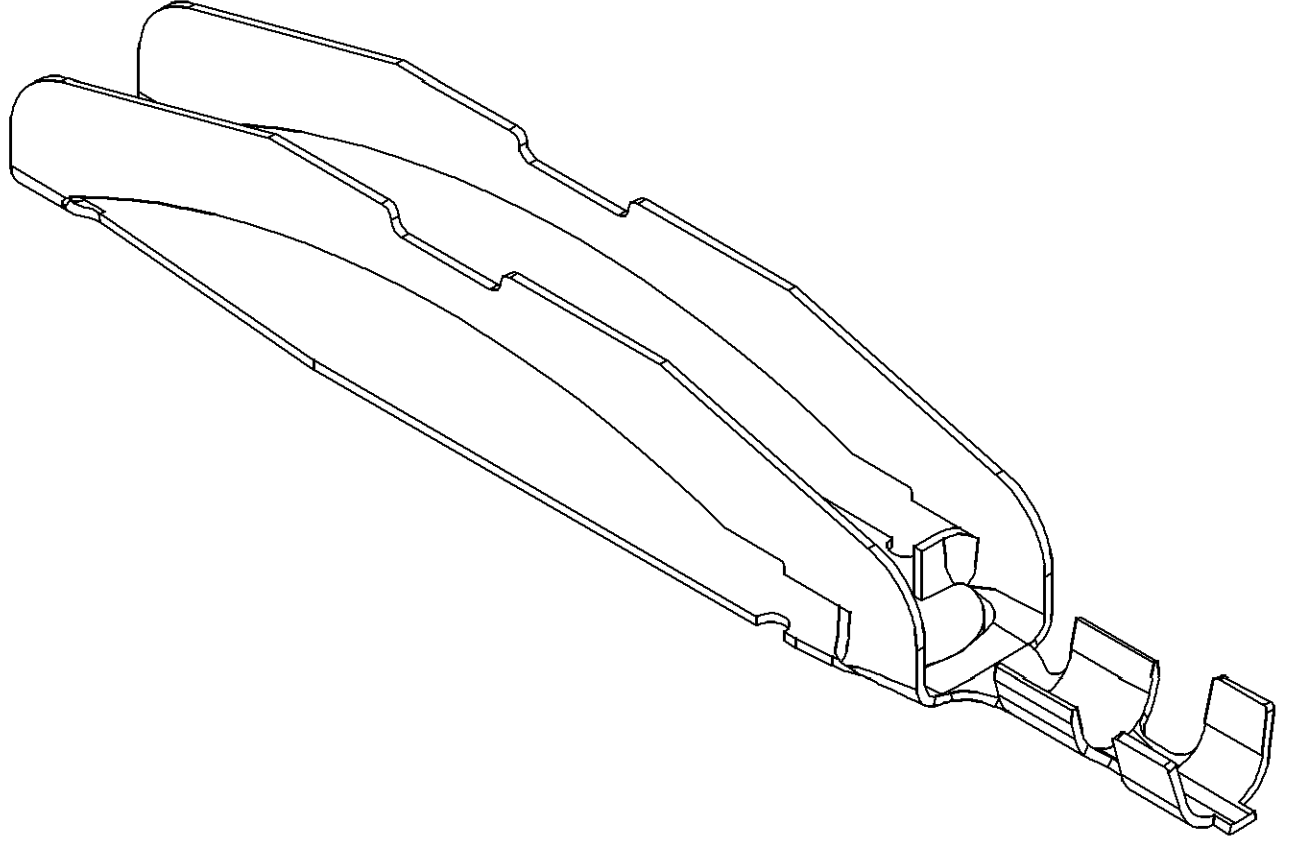


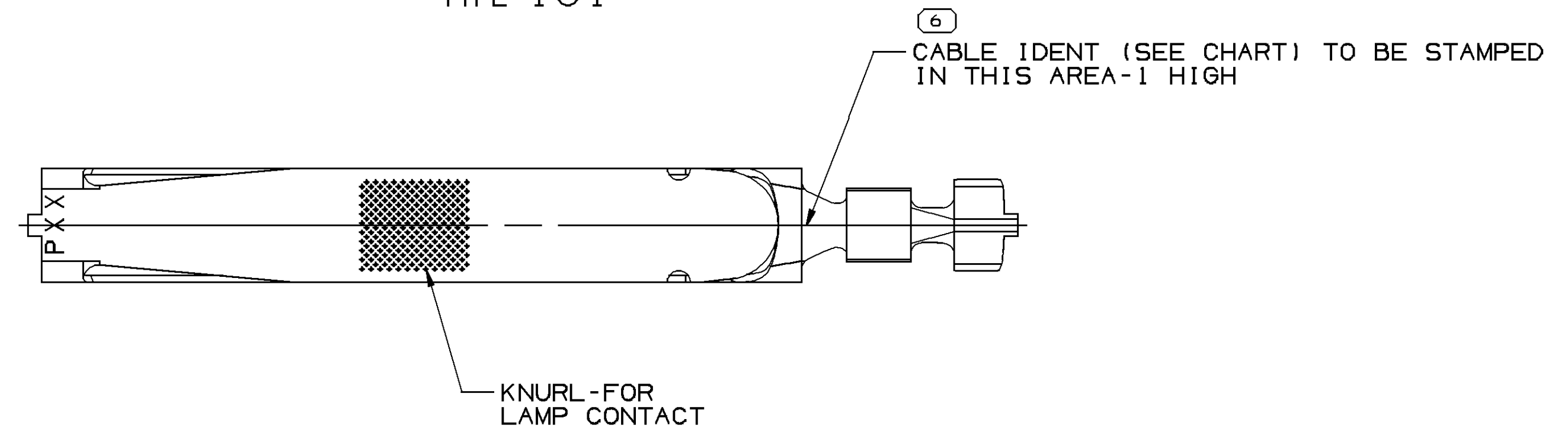
SYMBOL DEFINITION		MISSING SYMBOLS	
A DIMENSION WITHOUT AN INSPECTION REPORT SYMBOL DOES NOT REQUIRE INSPECTION. IT MAY BE CONTROLLED ON THE INDIVIDUAL COMPONENT DRAWING.	TOTAL NO OF INSPECTIONS REQUIRED	NO MISSING SYMBOL NUMBER	8
	LAST NO. USED		8

DWG STATUS				REVISION HISTORY				AUTH		DR		APVD	
DATE	STG	REV	N/P	CHG	ZONE	Cleared Rev Column and Redrawn to PD: 12089121 - OBSOLETE				1	2	1	2
17AU06	R	01	-	-						283347	MDH	JAA	MEF



TYPE 102
SAME AS TYPE 101
EXCEPT AS SHOWN

TYPE 101



NOTES

- UNLESS OTHERWISE SPECIFIED AND/OR INDICATED:
DIMENSIONS ARE TO FACE OF VIEW SHOWN AND AUTOMATICALLY ROUNDED BY COMPUTER FOR INSPECTION (SEE MATH MODEL FOR PRECISE DIMENSIONS). FOR ALL OTHER DIMENSIONS NOT SHOWN BUT REQUIRED FOR TOOL BUILD, SEE MATH MODEL FOR PRECISE TOOL PATH DATA.
- "PXX" INDICATES "P" PLUS LAST TWO DIGITS OF MAKE DIE SERIES NUMBER (P01, P02, P03, ETC.).

PART NO	REV	STATUS	TYPE	MAT'L SIZE	MATERIAL SPEC	CABLE IDENT	CABLE GA	CABLE DIA	±0.38
12089121	A1	OBSOLETE	102	0.36 X 63.5	PM000914 724 301 SST EX HD SOLDER PLTD	21	20-22	2.2 MAX	2.2
12089333	B		102	0.36 X 63.5	PM000914 724 301 SST EX HD SOLDER PLTD	17	16-18	2.7-1.9	2.8
08917862	L		101	0.36 X 63.5	PM000914 724 301 SST EX HD SOLDER PLTD	217	TWO 16-18	2.7-2.3	5.6
08917861	L		101	0.36 X 63.5	PM000914 724 301 SST EX HD SOLDER PLTD	17	16-18	2.7-2.3	4.2

7 PROCESS SENSITIVE DIMENSION	
DIMENSIONS ENCLOSED IN () INDICATE REFERENCE DIMENSIONS AND NO TOLERANCE LIMITS ARE ESTABLISHED	
DIMENSIONAL RANGE (MM)	CHART D
FROM 0 TO 12	> 12
TOLERANCE UNLESS OTHERWISE SPECIFIED	
±0.1	±0.2
ANGULAR TOLERANCE ±2°	

DWG TYPE		PART DRAWING	
STYLE			
VOLUME (QTY)	DISTR CODE	D	
UNLESS OTHERWISE SPECIFIED THIS DOCUMENT IS IN ACCORDANCE WITH ASME Y14.5M-1994 AS AMENDED BY THE GM GLOBAL DIMENSIONING AND TOLERANCING ADDENDUM-2001. SEPARATE PATTERNS OF FEATURES MAY BE BAGGED SEPARATELY REGARDLESS OF DATUM REFERENCES.			
ALL DIMENSIONS ARE IN MILLIMETERS			
THIRD ANGLE PROJECTION		DO NOT SCALE USE MATH DATA	

DELPHI
DELPHI PACKARD ELECTRIC SYSTEMS
WARREN, OH

DR	DATE
APVD1 W. STEIN	21MY75
APVD2 T. MUDREY	28MY75
APVD3 K. COPE	02JN75
APVD4	
APVD5	

SUBSTANCES OF CONCERN AND RECYCLED CONTENT PER DELPHI 10949001

MATERIAL SEE CHART

DRAWING NAME
TAXI TERM F LP SOC CONTACT

DRAWING NUMBER
08917883

SIZE	SCALE	FRAME NO	SHEET NO	STG	REV	N/P
A1	4:1	1 OF 1	1 OF 1	R	01	-