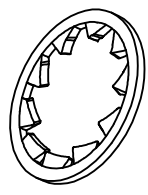
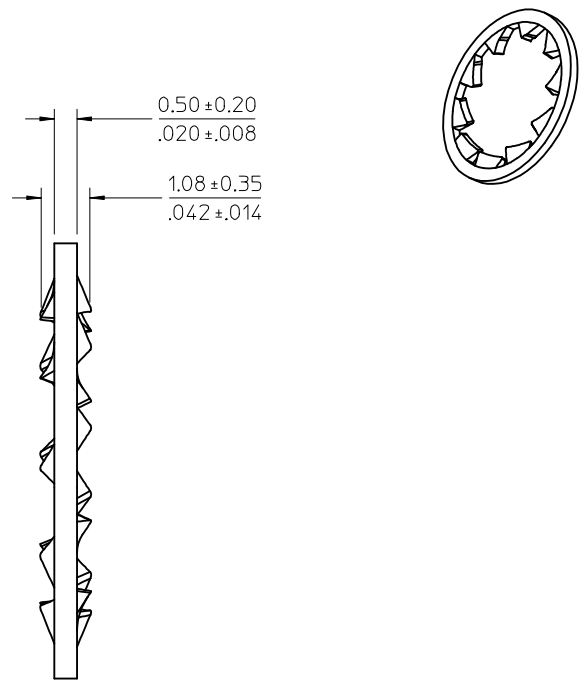
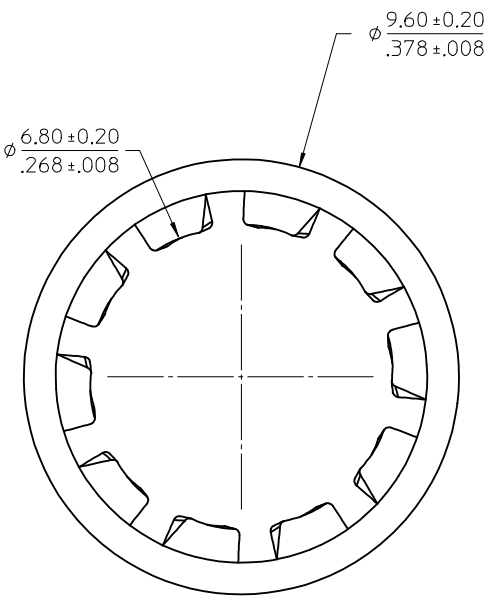


MATERIAL AND FINISH
 PHOSPHOR BRONZE
 PLATED GOLD 1μ MIN. OVER
 NICKEL 50μ MIN.
 PACKAGE BY POLYBAG



PART NO. # 89610-1143

CHG:NEW RELEASE
 EWR RF15-142
 EC NO: URF2015-0459
 2015/03/04
 DRAWN:YCHENG
 CHKD:
 APPR:YCHENG
 2015/03/06

REV	DESCRIPTION
A	

QUALITY SYMBOLS	
	=0
	=0
	=0

GENERAL TOLERANCES (UNLESS SPECIFIED)	
	mm
	INCH
4 PLACES	± .005
3 PLACES	± .004
2 PLACES	± .003
1 PLACE	± .002
0 PLACE	± .001

DIMENSION STYLE	
	MM/IN

SCALE	
	12:1

DESIGN UNITS	
	METRIC

THIRD ANGLE PROJECTION	

TITLE	
LOCK WASHER	

MATERIAL NO.	
896101143	

DOCUMENT NO.	
SD-89610-1143	

SHEET NO.	
1 OF 1	