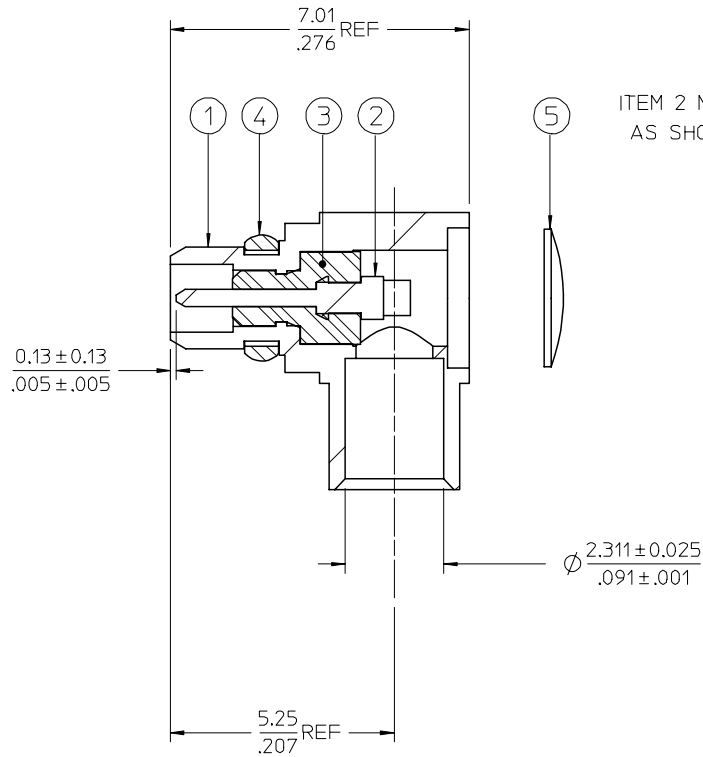


ASSEMBLY PROCEDURE:

1. PRESS ITEM 3 INTO ITEM 1 UNTIL ITEM 3 BOTTOMS
3. PRESS ITEM 2 INTO ITEM ITEM 3 PER DIMENSION SHOWN.
4. PACKAGE CONNECTOR WITH ITEMS 5.
5. SLIDE ITEM 4 OVER ITEM 1 UNTIL ITEM 4 SLIPS INTO GROOVE IN ITEM 1.
6. CENTER CONTACT MUST WITHSTAND 13.35 N(3.0 LBS) OF AXIAL FORCE.



LABEL WITH EACH BAG FOR 73415-2162:

P/N 73415-2162  
MOLEX  
DATE: YY/WW

73415-2162	73415-2161, ONE PER BAG
73415-2161	BULK
73415-2160	BULK
PART NO.	PACKAGING

5	89674-0711	CAP	1	5	89674-0712	CAP	1
4	89674-5202	SNAP RING	1	4	89674-5203	SNAP RING	1
3	89672-5000	INSULATOR	1	3	89672-5000	INSULATOR	1
2	89665-2504	CONTACT	1	2	89665-2505	CONTACT	1
1	89696-3921	BODY	1	1	89696-3922	BODY	1
	PART NO.	DESCRIPTION	QTY		PART NO.	DESCRIPTION	QTY

PART # 73415-2160

PART # 73415-2161

CHG: REDREW IN SD CHANGED ALL DIMS FROM IN/MM TO MM/IN EC NO: URF2007-0264 DRWN: FLAHERTY 2007/01/09 CHKD: SHAH 2007/01/09 APPR: JIMENER 2007/01/09 A2	QUALITY SYMBOLS	GENERAL TOLERANCES (UNLESS SPECIFIED)	DIMENSION STYLE	SCALE	DESIGN UNITS	THIRD ANGLE PROJECTION	
	◻=0 ◻=0	mm    INCH 4 PLACES ± --- ± --- 3 PLACES ± --- ± --- 2 PLACES ± --- ± --- 1 PLACE ± --- ± --- ANGULAR ± 2 °	MM/IN	DRAWN BY    DATE TEF            2002/01/24 CHECKED BY    DATE SSS            2002/01/24 APPROVED BY    DATE GMH            2002/01/24	METRIC		TITLE MMCX PLUG, R/A FOR SR086 CABLE, 50 OHMS MMCX-PC/RA
		DRAFT WHERE APPLICABLE MUST REMAIN WITHIN DIMENSIONS	SEE TABLE	MATERIAL NO.			MOLEX INCORPORATED DOCUMENT NO.    SHEET NO. E-73415-216      1 OF 1
				SIZE			THIS DRAWING CONTAINS INFORMATION THAT IS PROPRIETARY TO MOLEX INCORPORATED AND SHOULD NOT BE USED WITHOUT WRITTEN PERMISSION

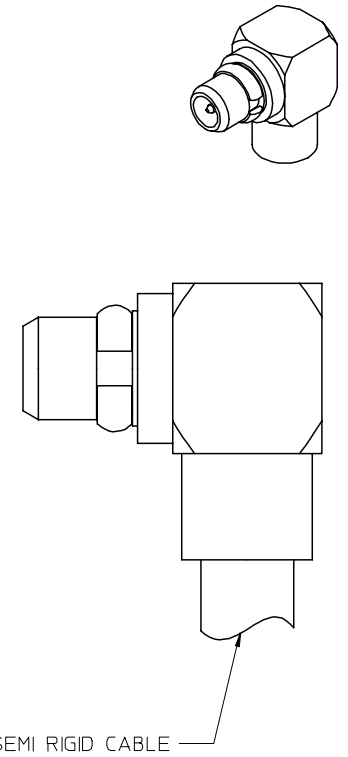
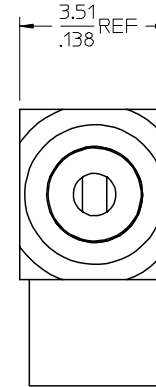
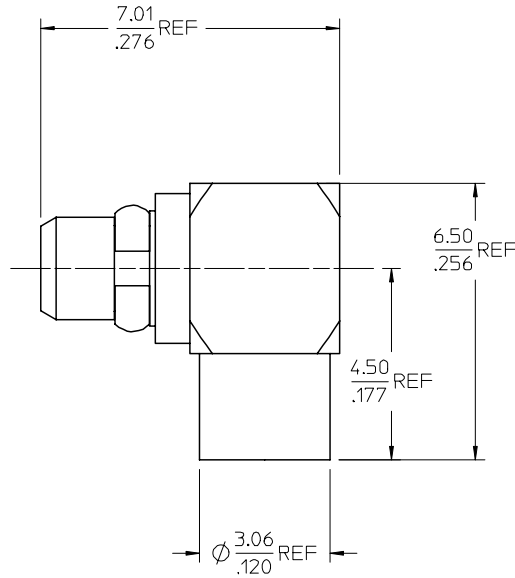
13 12 11 10 9 8 7 6 5 4 3 2 1

MATERIALS AND FINISHES

BODY, CAP BRASS  
PLATED GOLD

CENTER CONTACT BRASS  
PLATED GOLD

INSULATOR TEFLON



AS-89678-3200	CABLE ASSY INSTRUT.
ES-73599-0000-015	INTERFACE
PS-89675-1930	ELECTRO/MECH PERFORM.
SPECIFICATION	DESCRIPTION

73415-2162	73415-2161, ONE PER BAG
73415-2161	PER COMMERIAL REQUIREMENTS, BULK
73415-2160	PER MILITARY REQUIREMENTS, BULK
PART NO.	PLATING AND PACKAGING

CHG: REDREW IN SD  
CHANGED ALL DIMS  
FROM IN/MM TO MM/IN  
LOADED INTO WM  
ADDED P/N  
73415-2162  
EC NO: URF2007-0264  
DRWN: F. LAHERY 2007/01/09  
CHKD: S. SHAH 2007/01/09  
APPR: J. E. NER 2007/01/09

QUALITY SYMBOLS  
 = 0  
 = 0

GENERAL TOLERANCES (UNLESS SPECIFIED)	
mm	INCH
4 PLACES ± .005	± .0004
3 PLACES ± .003	± .0002
2 PLACES ± .002	± .0001
1 PLACE ± .001	± .00005
ANGULAR ± 2 °	

DIMENSION STYLE	
MM/IN	
DRAWN BY	DATE
TEF	2000/06/15
CHECKED BY	DATE
SSS	2000/06/15
APPROVED BY	DATE
GMH	2000/06/15

SCALE	DESIGN UNITS	THIRD ANGLE PROJECTION
	METRIC	
TITLE		
MMCX PLUG, R/A FOR SR086 CABLE, 50 OHMS MMCX-PC/RA		
MATERIAL NO.		
SD-73415-216		
DOCUMENT NO.		SHEET NO.
		1 OF 1

12 11 10 9 8 7 6 5 4 3 2 1