


**»» Features**

- ISO 280 footprint design.
- High temperature endurance up to 125 degree C.
- Optional SPNC, SPNO, SPDT contact configurations.
- Optional to be equipped with protection diode or resistor.
- Available for dust cover type, skirted cover flanged cover, and weather proof versions.
- Comply with RoHS-Directive 2002/95/EC, and ELV-Directive 2000/53/EC.

**»» Type List**

Terminal style	Contact form	Enclosure style		
		Dust cover	Flux tight	Sealed type washable
Socket terminal	1A (SPNO)	898-1AH-D	898-1AH-C	898-1AH-S
		898H-1AH-D	898H-1AH-C	898H-1AH-S
	1C (SPDT)	898-1CH-D	898-1CH-C	898-1CH-S
		898H-1CH-D	898H-1CH-C	898H-1CH-S

Terminal style	Contact form	Enclosure style	
		Flanged cover (dust cover)	Flanged cover (flux tight)
Socket terminal	1A (SPNO)	898-1AH-D1	898-1AH-C1
		898H-1AH-D1	898H-1AH-C1
	1C (SPDT)	898-1CH-D1	898-1CH-C1
		898H-1CH-D1	898H-1CH-C1

Terminal style	Contact form	Enclosure style	
		Steel bracket (dust cover)	Steel bracket (flux tight)
Socket terminal	1A (SPNO)	898-1AH-D1S	898-1AH-C1S
		898H-1AH-D1S	898H-1AH-C1S
	1C (SPDT)	898-1CH-D1S	898-1CH-C1S
		898H-1CH-D1S	898H-1CH-C1S

Terminal style	Contact form	Designation (provided with)	Enclosure style	
			Steel bracket (dust cover with shroud)	Steel bracket (dust cover with weather proof)
Socket terminal	1C (SPDT)	Resistor	898H-1CH-D1SF-R1	898H-1CH-D1SW-R1

## »» Ordering Information

898      H    -   1CH   -   C    -   R1      001  
 1        2        3        4        5        6

- |          |  |          |   |
|----------|--|----------|---|
| 1. 898   | -- Basic series designation                            | D1S      | -- Steel bracket (dust cover)   |
| 2. Blank | -- Standard type                                       | C1S      | -- Steel bracket (flux tight)   |
| H        | -- High power type                                     | S1S      | -- Steel bracket (sealed type washable)                                   |
| 3. 1AH   | -- Single pole normally open, contact material AgSnO   | D1SF     | -- Steel bracket (Dust cover with shroud)                                 |
| 1BH      | -- Single pole normally closed, contact material AgSnO | D1SW     | -- Steel bracket (Dust cover with weather proof)                          |
| 1CH      | -- Single pole double throw, contact material AgSnO    | 5. Blank | -- Standard type  |
| 4. D     | -- Dust cover  | R1       | -- Coil parallel with resistor 1/2W for 12V 680Ω, 24V 2700Ω               |
| C        | -- Flux tight  | 6. Blank | -- Standard type  |
| S        | -- Sealed type washable                                | 001      | -- Coil parallel with diode IN4007 the positive pole "+" on # 85 terminal |
| D1       | -- Flanged cover (dust cover)                          | 002      | -- Coil parallel with diode IN4007 the negative pole "-" on # 85 terminal |
| C1       | -- Flanged cover (flux tight)                          |          |   |
| S1       | -- Flanged cover (sealed type washable)                |          |   |

## »» Contact Rating

Resistive load	898 1A	898 1B	898 1C
	40A 14VDC	40A 14VDC	NO : 30A 14VDC NC : 20A 14VDC
	898H 1A	898H 1B	898H 1C
	50A 14VDC 20A 28VDC	40A 14VDC 15A 28VDC	NO: 50A 14VDC, 20A 28VDC NC: 30A 14VDC, 15A 28VDC

## »» Coil Rating (DC)

Rated voltage (V)	Rated current ±10 % at 23°C (mA)	Coil resistance ±10 % at 23°C (Ω)	Max. continuous voltage at 85°C <sup>(1)</sup>	Pick up voltage(Max) at 23°C	Drop out voltage(Min) at 23°C	Power consumption at rated voltage
12	133	90	120 % of rated voltage	65 % of rated voltage	10 % of rated voltage	approx. 1.6W
24	66.7	360				

Notes : (1) Without switching the load.

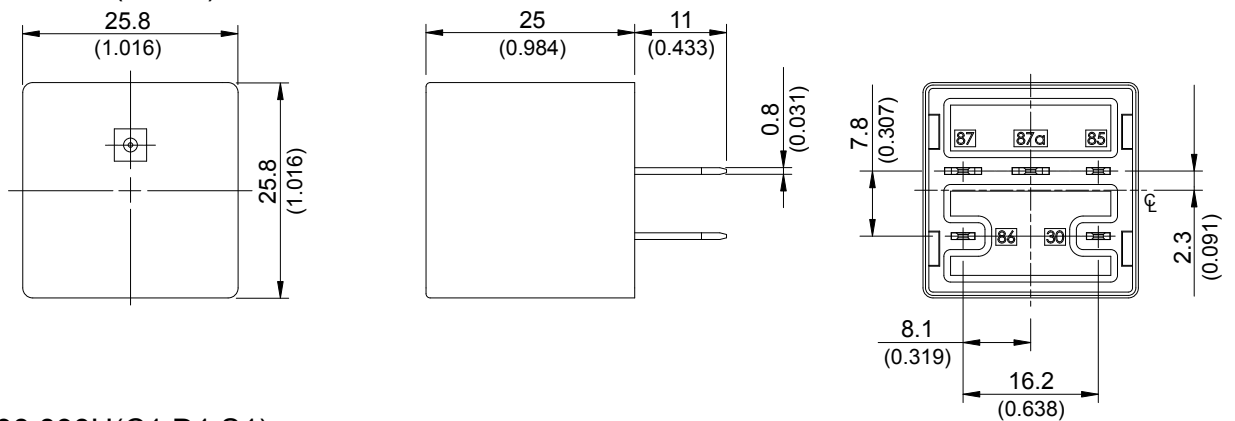
## &gt;&gt;&gt; Specification

Contact material	AgSnO alloy	
Contact voltage drop <sup>(1)</sup>	Typ. 50mV at 10A	
Insulation resistance <sup>(1)</sup>	20MΩ Min. (DC 500V)	
Operate time <sup>(1)</sup>	20ms Max.	
Release time <sup>(1)</sup>	20ms Max.	
Dielectric strength <sup>(1)</sup>	Between open contact	: AC 500V , 50/60Hz 1 min.
	Between contact and coil	: AC 500V , 50/60Hz 1 min.
Vibration resistance	Operating extremes	10~55Hz , amplitude 2mm
Shock resistance	Operating extremes	10G
	Damage limits	100G
Life expectancy	Mechanical	10,000,000 operations (frequency 18,000 operations/hr)
	Electrical	100,000 operations (frequency 1,200 operations/hr)
Temperature range	Operating	-40~+125°C (no freezing)
Weight	Approx. 40 g	

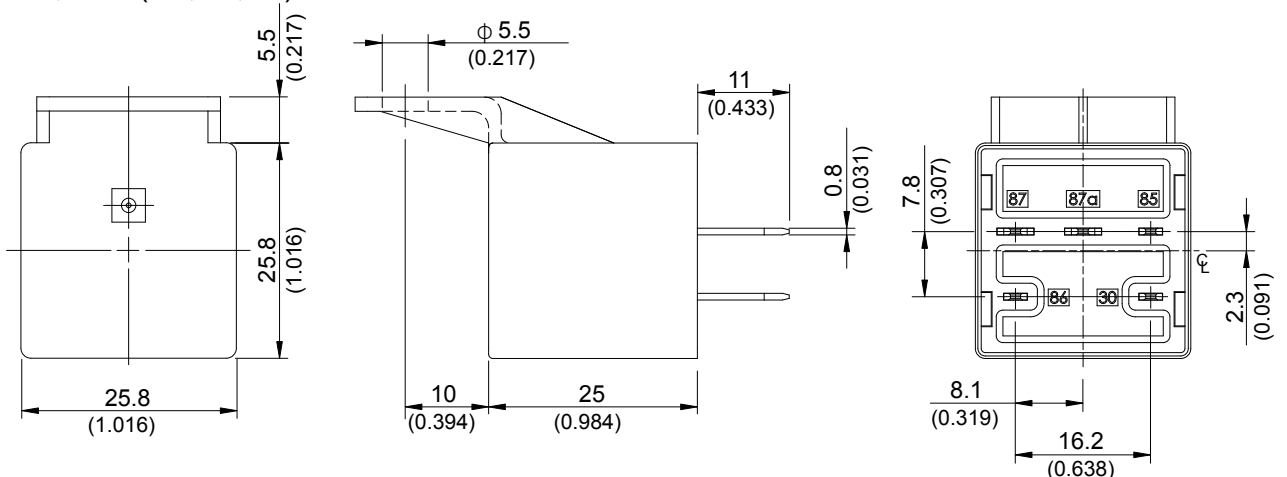
Note : (1) initial value

## &gt;&gt;&gt; Outline Dimensions

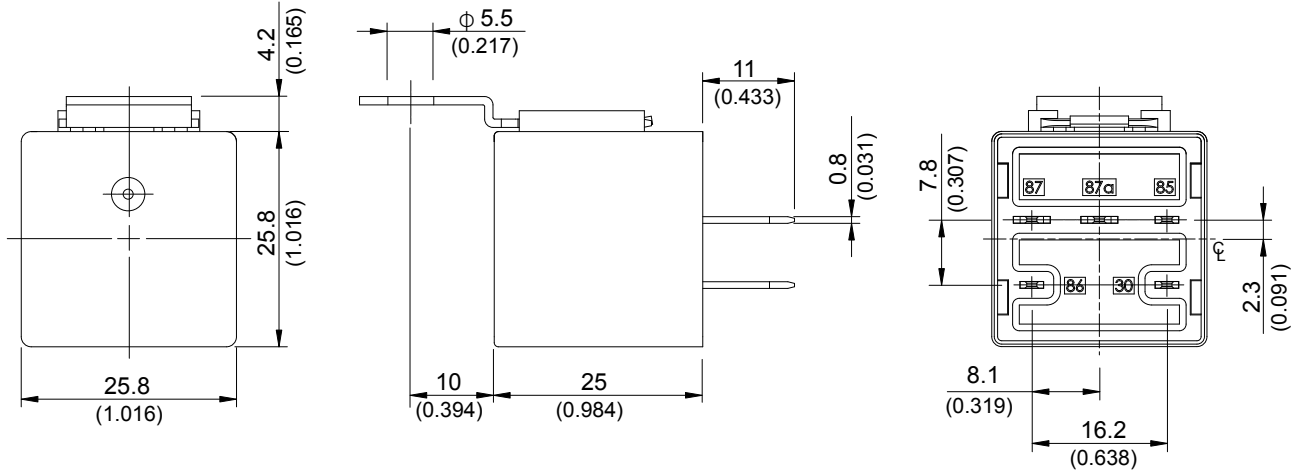
## ◆ 898,898H(C,D,S)



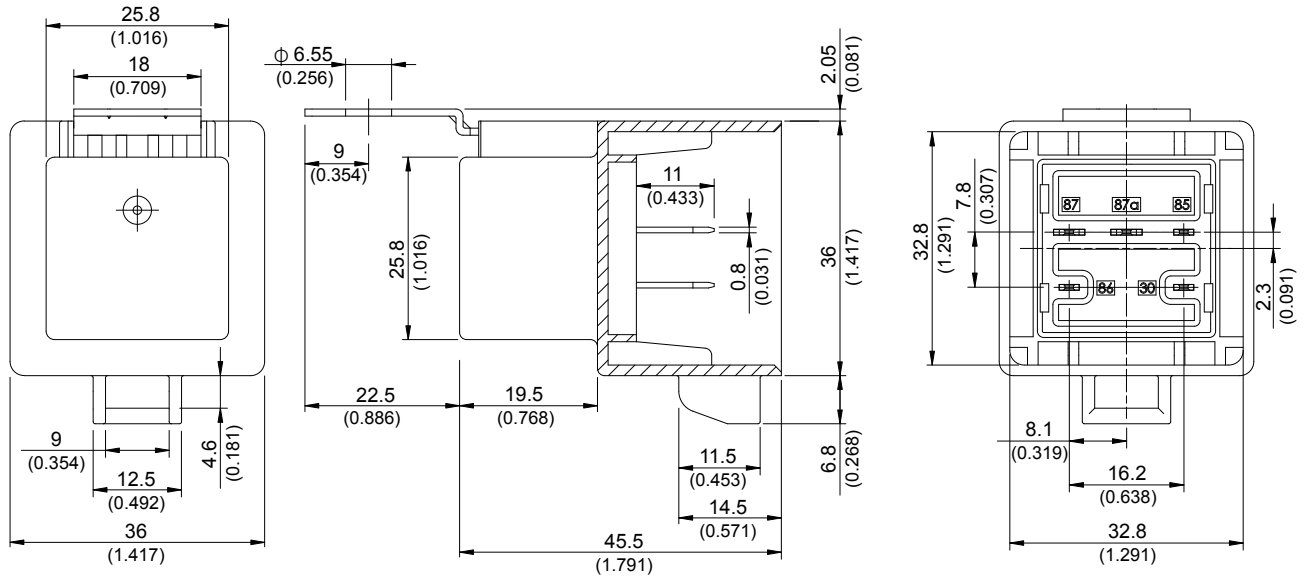
## ◆ 898,898H(C1,D1,S1)



◆898,898H(C1S,D1S,S1S)



◆898H (D1SW)



◆898H (D1SF)

