

Description

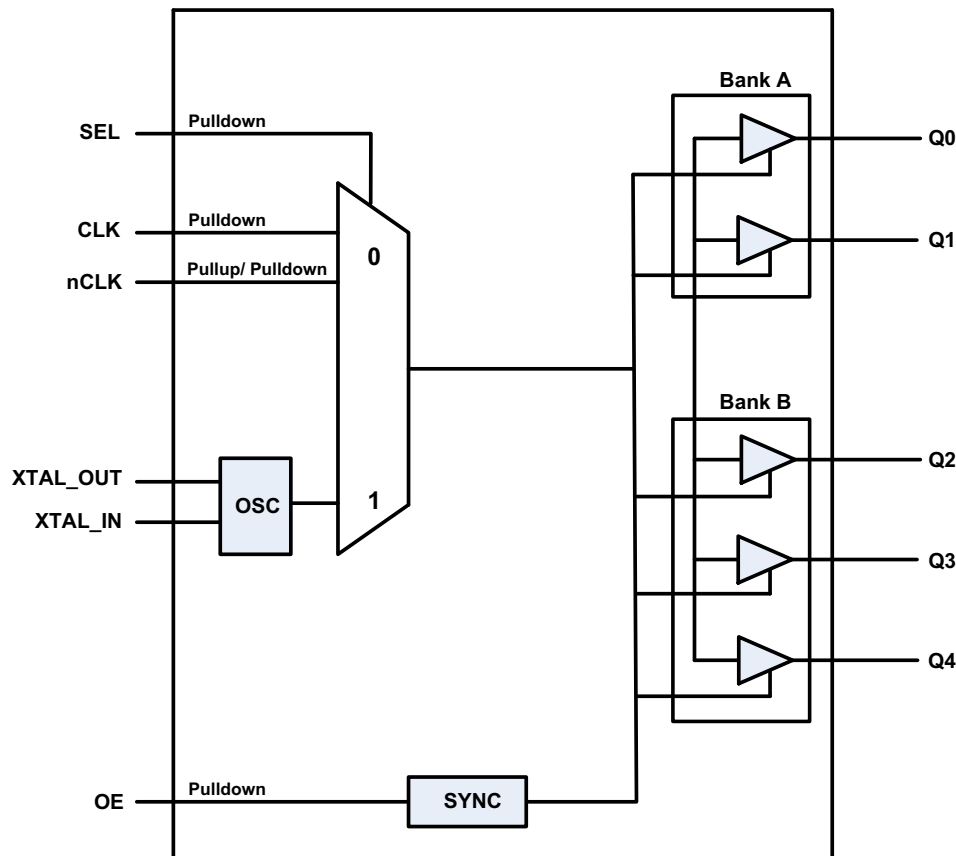
The 8L30205 is a low skew, 1-to-5 LVCMOS / LVTTTL fanout buffer. The low impedance LVCMOS/LVTTTL outputs are designed to drive 50Ω series or parallel terminated transmission lines.

The 8L30205 is characterized at full 3.3V and 2.5V, mixed 3.3V/2.5V, 3.3V/1.8V, 3.3V/1.5V, 2.5V/1.8V and 2.5V/1.5V output operating supply modes. The input clock is selected with a differential clock input or a crystal input. The differential input can be wired to accept a single-ended input. The internal oscillator circuit is automatically disabled if the crystal input is not selected.

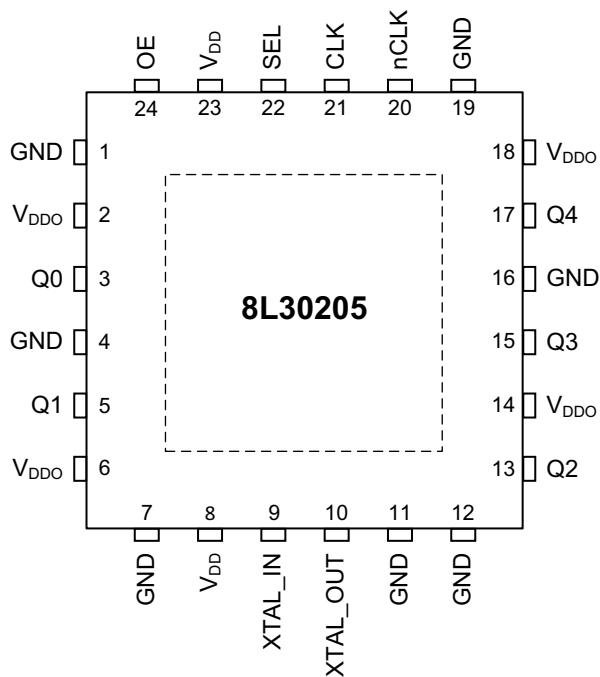
Features

- Five LVCMOS / LVTTTL outputs up to 200MHz
- Differential input pair can accept the following differential input levels: LVPECL, LVDS, HCSL
- Crystal oscillator interface
- Crystal input frequency range: 10MHz to 40MHz
- Additive RMS phase jitter: 30fs (typical)
- Synchronous output enable to avoid clock glitch
- Power supply modes:
Core / Output
3.3V / 3.3V
2.5V / 2.5V
3.3V / 2.5V
3.3V / 1.8V
3.3V / 1.5V
2.5V / 1.8V
2.5V / 1.5V
- -40°C to 85°C ambient operating temperature
- Supports case temperature up to 105°C
- Available in lead-free (RoHS 6) package

Block Diagram



Pin Assignments



24-pin, 4mm x 4mm VFQFN Package

Pin Characteristics

Table 1. Pin Descriptions^[a]

| Number | Name | Type | Description |
|--------|------------------|--------|---|
| 1 | GND | Power | Power supply ground. |
| 2 | V _{DDO} | Power | Output power supply pin for Bank A. |
| 3 | Q0 | Output | Single-ended clock output. LVCMOS/LVTTL interface levels. |
| 4 | GND | Power | Power supply ground. |
| 5 | Q1 | Output | Single-ended clock output. LVCMOS/LVTTL interface levels. |
| 6 | V _{DDO} | Power | Output power supply pin for Bank A. |
| 7 | GND | Power | Power supply ground. |
| 8 | V _{DD} | Power | Power supply pin. |
| 9 | XTAL_IN | Input | Crystal oscillator interface. XTAL_IN is the input. |
| 10 | XTAL_OUT | Input | Crystal oscillator interface. XTAL_OUT is the output. |
| 11 | GND | Power | Power supply ground. |
| 12 | GND | Power | Power supply ground. |
| 13 | Q2 | Output | Single-ended clock output. LVCMOS/LVTTL interface levels. |
| 14 | V _{DDO} | Power | Output power supply pin for Bank B. |
| 15 | Q3 | Output | Single-ended clock output. LVCMOS/LVTTL interface levels. |

Table 1. Pin Descriptions^[a] (Cont.)

| Number | Name | Type | | Description |
|--------|------------------|--------|---------------------|---|
| 16 | GND | Power | | Power supply ground. |
| 17 | Q4 | Output | | Single-ended clock output. LVCMOS/LVTTL interface levels. |
| 18 | V _{DDO} | Power | | Output power supply pin for Bank B. |
| 19 | GND | Power | | Power supply ground. |
| 20 | nCLK | Input | Pullup/ Pulldown | Inverting differential clock. Internal resistor bias to V _{DD} /2. |
| 21 | CLK | Input | Pulldown | Non-inverting differential clock. |
| 22 | SEL | Input | Pulldown | Input clock selection. LVCMOS/LVTTL interface levels. See Table 3A. |
| 23 | V _{DD} | Power | | Power supply pin. |
| 24 | OE | Input | Pulldown | Output enable. LVCMOS/LVTTL interface levels. See Table 3B. |
| ePad | Exposed Pad | Power | | Must be connected to GND. |

[a] *Pullup and Pulldown* refer to internal input resistors. See Table 2, *Pin Characteristics*, for typical values.

Table 2. Pin Characteristics

| Symbol | Parameter | | Test Conditions | Minimum | Typical | Maximum | Units |
|-----------------------|---|-----------------------|---------------------------------|---------|---------|---------|-------|
| C _{IN} | Input Capacitance | SEL, OE, CLK, nCLK | | | 2 | | pF |
| R _{PULLDOWN} | Input Pulldown Resistor | | | | 51 | | kΩ |
| R _{PULLUP} | Input Pullup Resistor | | | | 51 | | kΩ |
| C _{PD} | Power Dissipation Capacitance (per output) | | V _{DDO} = 3.465V | | 11 | | pF |
| | | | V _{DDO} = 2.625V | | 9 | | pF |
| | | | V _{DDO} = 1.95V | | 8 | | pF |
| | | | V _{DDO} = 1.6V | | 8 | | pF |
| R _{OUT} | Output Impedance | | V _{DDO} = 3.3V ± 5% | | 40 | | Ω |
| | | | V _{DDO} = 2.5V ± 5% | | 40 | | Ω |
| | | | V _{DDO} = 1.8V ± 0.15V | | 50 | | Ω |
| | | | V _{DDO} = 1.5V ± 0.1V | | 55 | | Ω |

Function Tables

Table 3A. SEL Function Table

| Control Input | Selected Input Clock |
|---------------|----------------------|
| SEL | |
| 0 (default) | CLK, nCLK |
| 1 | XTAL |

Table 3B. OE Function Table

| Control Input | Function |
|---------------|----------------|
| OE | Q[0:4] |
| 0 (default) | High-Impedance |
| 1 | Enabled |

Table 3C. Input/Output Operation Table^[a]

| Input State | | | Output State |
|-------------|-----|------------------------|----------------|
| OE | SEL | CLK, nCLK | Q[0:4] |
| 0 | X | Do Not Care | High-Impedance |
| 1 | 1 | Do Not Care | Active |
| 1 | 0 | CLK = nCLK = Open | LOW |
| | | CLK = HIGH, nCLK = LOW | HIGH |
| | | CLK = LOW, nCLK = HIGH | LOW |

[a] The device must have switching edge to obtain output states.

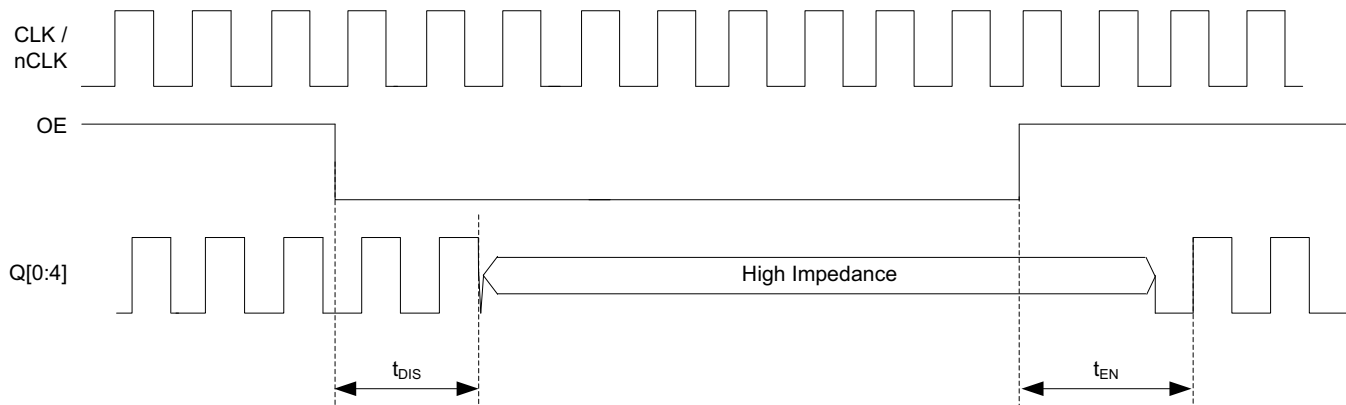


Figure 1. OE Timing Diagram

NOTE: The outputs will enable or disable 2 to 3 clock cycles after the transition on the OE input.

Absolute Maximum Ratings

NOTE: Stresses beyond those listed under *Absolute Maximum Ratings* may cause permanent damage to the device. These ratings are stress specifications only. Functional operation of product at these conditions or any conditions beyond those listed in the *DC Characteristics* or *AC Characteristics* is not implied. Exposure to absolute maximum rating conditions for extended periods may affect product reliability.

| Item | Rating |
|---|--|
| Supply Voltage, V_{DD} | 3.6V |
| Inputs, V_I CLK, nCLK XTAL_IN Other Inputs | 3.6V 0V to 2V -0.5V to $V_{DD} + 0.5V$ |
| Outputs, V_O | -0.5V to $V_{DDO} + 0.5V$ |
| Junction Temperature, T_J | 125°C |
| Storage Temperature, T_{STG} | -65°C to 150°C |

DC Electrical Characteristics

Table 4A. Power Supply DC Characteristics, $V_{DD} = 3.3V \pm 5\%$, $V_{DDO} = 3.3V \pm 5\%$ or $2.5V \pm 5\%$ or $1.8V \pm 0.15V$ or $1.5V \pm 0.1V$, $T_A = -40^\circ\text{C}$ to 85°C

| Symbol | Parameter | Test Conditions | Minimum | Typical | Maximum | Units |
|-----------|-----------------------|---|---------|---------|---------|-------|
| V_{DD} | Power Supply Voltage | | 3.135 | 3.3 | 3.465 | V |
| V_{DDO} | Output Supply Voltage | | 3.135 | 3.3 | 3.465 | V |
| | | | 2.375 | 2.5 | 2.625 | V |
| | | | 1.65 | 1.8 | 1.95 | V |
| | | | 1.4 | 1.5 | 1.6 | V |
| I_{DD} | Power Supply Current | No Clock Input, Outputs Unloaded | | | 19 | mA |
| I_{DDO} | Output Supply Current | OE = 1, $V_{DDO} = 3.3V \pm 5\%$, Outputs Unloaded | | | 3 | mA |
| | | OE = 1, $V_{DDO} = 2.5V \pm 5\%$, Outputs Unloaded | | | 2 | mA |
| | | OE = 1, $V_{DDO} = 1.8V \pm 0.15V$, Outputs Unloaded | | | 2 | mA |
| | | OE = 1, $V_{DDO} = 1.5V \pm 0.1V$, Outputs Unloaded | | | 2 | mA |

Table 4B. Power Supply DC Characteristics, $V_{DD} = 2.5V \pm 5\%$, $V_{DDO} = 2.5V \pm 5\%$ or $1.8V \pm 0.15V$ or $1.5V \pm 0.1V$, $T_A = -40^\circ\text{C}$ to 85°C

| Symbol | Parameter | Test Conditions | Minimum | Typical | Maximum | Units |
|-----------|-----------------------|---|---------|---------|---------|-------|
| V_{DD} | Power Supply Voltage | | 2.375 | 2.5 | 2.625 | V |
| V_{DDO} | Output Supply Current | | 2.375 | 2.5 | 2.625 | V |
| | | | 1.65 | 1.8 | 1.95 | V |
| | | | 1.4 | 1.5 | 1.6 | V |
| I_{DD} | Power Supply Current | No Clock Input, Outputs Unloaded | | | 19 | mA |
| I_{DDO} | Output Supply Current | OE = 1, $V_{DDO} = 2.5V \pm 5\%$, Outputs Unloaded | | | 2 | mA |
| | | OE = 1, $V_{DDO} = 1.8V \pm 0.15V$, Outputs Unloaded | | | 2 | mA |
| | | OE = 1, $V_{DDO} = 1.5V \pm 0.1V$, Outputs Unloaded | | | 2 | mA |

Table 4C. LVCMOS/LVTTL DC Characteristics, $T_A = -40^\circ\text{C}$ to 85°C

| Symbol | Parameter | Test Conditions | Minimum | Typical | Maximum | Units |
|----------|---------------------|---|-----------------|---------|----------------|---------------|
| V_{IH} | Input High Voltage | $V_{DD} = 3.3V \pm 5\%$ | 2.2 | | $V_{DD} + 0.3$ | V |
| | | $V_{DD} = 2.5V \pm 5\%$ | 1.7 | | $V_{DD} + 0.3$ | V |
| V_{IL} | Input Low Voltage | $V_{DD} = 3.3V \pm 5\%$ | -0.3 | | 0.8 | V |
| | | $V_{DD} = 2.5V \pm 5\%$ | -0.3 | | 0.7 | V |
| I_{IH} | Input High Current | OE, SEL $V_{DD} = V_{IN} = 3.465V$ | | | 150 | μA |
| I_{IL} | Input Low Current | OE, SEL $V_{DD} = 3.465V, V_{IN} = 0V$ | -5 | | | μA |
| V_{OH} | Output High Voltage | $I_{OH} = -100\mu\text{A}$ | $V_{DDO} - 0.1$ | | | V |
| V_{OL} | Output Low Voltage | $I_{OL} = 100\mu\text{A}$ | | | 0.1 | V |

Table 4D. Differential DC Characteristics, $V_{DD} = 3.3V \pm 5\%$ or $2.5V \pm 5\%$, $T_A = -40^\circ\text{C}$ to 85°C

| Symbol | Parameter | | Test Conditions | Minimum | Typical | Maximum | Units |
|-----------|---|--------------|---|---------|---------|-----------------|---------------|
| I_{IH} | Input High Current | CLK, nCLK | $V_{DD} = V_{IN} = 3.465\text{V}$ or 2.625V | | | 150 | μA |
| I_{IL} | Input Low Current | CLK | $V_{DD} = 3.465\text{V}$ or 2.625V , $V_{IN} = 0\text{V}$ | -5 | | | μA |
| | | nCLK | $V_{DD} = 3.465\text{V}$ or 2.625V , $V_{IN} = 0\text{V}$ | -150 | | | μA |
| V_{PP} | Peak-to-Peak Input Voltage ^[a] | | | 0.15 | | 1.5 | V |
| V_{CMR} | Common Mode Input Voltage ^{[a], [b]} | | | 0.5 | | $V_{DD} - 0.85$ | V |

[a] V_{IL} should not be less than -0.3V .

[b] Common mode voltage is defined at the crosspoint.

Table 5. Crystal Characteristics

| Parameter | Test Conditions | Minimum | Typical | Maximum | Units |
|------------------------------------|-----------------|-------------|---------|---------|----------|
| Mode of Oscillation | | Fundamental | | | |
| Frequency | | 10 | | 40 | MHz |
| Equivalent Series Resistance (ESR) | | | | 50 | Ω |
| Shunt Capacitance | | | | 7 | pF |
| Load Capacitance | | | 12 | 18 | pF |

AC Electrical Characteristics

Table 6. AC Characteristics, $V_{DD} = 3.3V \pm 5\%$, $V_{DDO} = 3.3V \pm 5\%$ or $2.5V \pm 5\%$ or $1.8V \pm 0.15V$ or $1.5V \pm 0.1V$, $T_A = -40^\circ C$ to $85^\circ C$ ^{[a], [b]}

| Symbol | Parameter | | Test Conditions | Minimum | Typical | Maximum | Units |
|----------------------|---|--------------------------------|--|---------|---------|---------|-------|
| f_{OUT} | Output Frequency | Using External Crystal | | 10 | | 40 | MHz |
| | | Using External Clock Source | | | | 200 | MHz |
| t_{PD} | Propagation Delay ^[c] | | $V_{DDO} = 3.3V \pm 5\%$ | 1.3 | | 2.7 | ns |
| | | | $V_{DDO} = 2.5V \pm 5\%$ | 1.4 | | 3.0 | ns |
| | | | $V_{DDO} = 1.8V \pm 0.15V$ | 1.7 | | 4.0 | ns |
| | | | $V_{DDO} = 1.5V \pm 0.1V$ | 2.0 | | 5.0 | ns |
| $t_{sk(o)}$ | Output Skew ^{[d], [e]} | | Referenced to Q0 | | | 55 | ps |
| $t_{sk(b)}$ | Bank Skew ^{[e], [f]} | Bank A | | | | 25 | ps |
| | | Bank B | | | | 40 | ps |
| t_{jit} | Buffer Additive Phase Jitter | Input Clock from CLK, nCLK | $f_{OUT} = 156.25MHz$, Integration Range: 12kHz - 20MHz | | 30 | | fs |
| $t_{jit}(\emptyset)$ | RMS Phase Jitter | Input Clock from 25MHz Crystal | Integration Range: 12kHz - 5MHz | | 175 | | fs |
| t_R / t_F | Output Rise/Fall Time | | $f_{OUT} = 156.25MHz$, 20% - 80% | | | 700 | ps |
| odc | Output Duty Cycle | | 50% Input Duty Cycle, $f_{OUT} = 156.25MHz$ | 45 | 50 | 55 | % |
| MUX_ISOLATION | MUX Isolation ^[g] | | 156.25MHz | | -84 | | dB |
| PSRR | Power Supply Rejection Ratio ^[h] | | | | -70 | | dBc |

[a] Typical values represent the part performance at $V_{DD} = V_{DDO} = 3.3V$, $T_A = 25^\circ C$ unless otherwise stated.

[b] Electrical parameters are guaranteed over the specified ambient operating temperature range, which is established when the device is mounted in a test socket with maintained transverse airflow greater than 500 lpm. The device will meet specifications after thermal equilibrium has been reached under these conditions.

[c] Measured from the differential input crossing point to $V_{DDO}/2$ of the output.

[d] Defined as skew between outputs at the same supply voltage and with equal load conditions. Measured at $V_{DDO}/2$.

[e] This parameter is defined in accordance with JEDEC Standard 65.

[f] Defined as skew within a bank with equal load conditions.

[g] These parameters are guaranteed by characterization. Not tested in production.

[h] 100kHz, 100mVpp Ripple Injected on $V_{DDO} = 2.5V$.

Applications Information

Recommendations for Unused Input and Output Pins

Inputs:

CLK/nCLK Inputs

For applications not requiring the use of the differential input, both CLK and nCLK can be left floating. Though not required, but for additional protection, a 1k Ω resistor can be tied from CLK to ground.

Crystal Inputs

For applications not requiring the use of the crystal oscillator input, both XTAL_IN and XTAL_OUT can be left floating. Though not required, but for additional protection, a 1k Ω resistor can be tied from XTAL_IN to ground.

LVC MOS Control Pins

All control pins have internal pulldowns; additional resistance is not required but can be added for additional protection. A 1k Ω resistor can be used.

Outputs:

LVC MOS Outputs

All unused LVC MOS outputs can be left floating. IDT recommends that there be no trace attached.

Wiring the Differential Input to Accept Single-Ended Levels

Figure 2 shows how a differential input can be wired to accept single ended levels. The reference voltage $V_{REF} = V_{DD}/2$ is generated by the bias resistors R1 and R2. The bypass capacitor (C1) is used to help filter noise on the DC bias. This bias circuit should be located as close to the input pin as possible. The ratio of R1 and R2 might need to be adjusted to position the V_{REF} in the center of the input voltage swing. For example, if the input clock swing is 2.5V and $V_{DD} = 3.3V$, R1 and R2 value should be adjusted to set V_{REF} at 1.25V. The values below are for when both the single ended swing and V_{DD} are at the same voltage. This configuration requires that the sum of the output impedance of the driver (R_o) and the series resistance (R_s) equals the transmission line impedance. In addition, matched termination at the input will attenuate the signal in half. This can be done in one of two ways. First, R3 and R4 in parallel should equal the transmission line impedance. For most 50Ω applications, R3 and R4 can be 100Ω. The values of the resistors can be increased to reduce the loading for slower and weaker LVCMOS driver. When using single-ended signaling, the noise rejection benefits of differential signaling are reduced. Even though the differential input can handle full rail LVCMOS signaling, it is recommended that the amplitude be reduced while maintaining an edge rate faster than 1V/ns. The datasheet specifies a lower differential amplitude, however this only applies to differential signals. For single-ended applications, the swing can be larger, however V_{IL} cannot be less than -0.3V and V_{IH} cannot be more than $V_{DD} + 0.3V$. Though some of the recommended components might not be used, the pads should be placed in the layout. They can be utilized for debugging purposes. The datasheet specifications are characterized and guaranteed by using a differential signal.

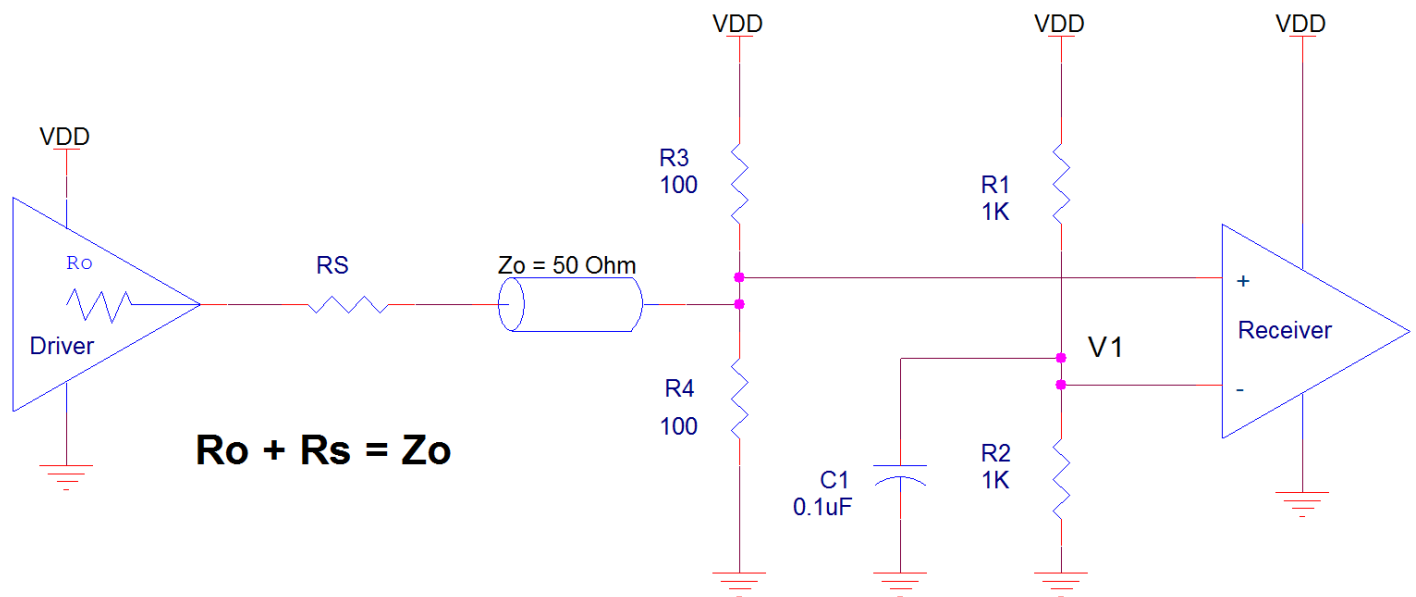


Figure 2. Recommended Schematic for Wiring a Differential Input to Accept Single-ended Levels

Crystal Input Interface

The 8L30205 has been characterized with 12pF parallel resonant crystals. The capacitor values, C1 and C2, shown in Figure 3 below was determined using a 12pF parallel resonant crystal, and was chosen to minimize the ppm error. The optimum C1 and C2 values can be slightly adjusted for different board layouts.

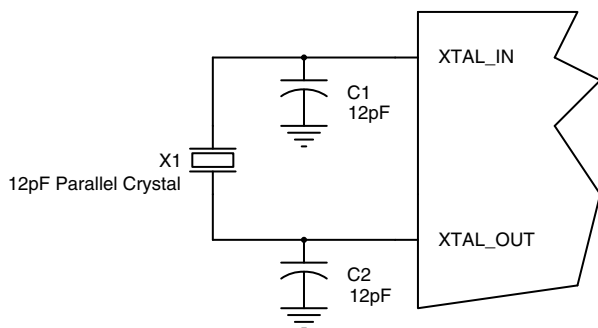


Figure 3. Crystal Input Interface

Overdriving the XTAL Interface

The XTAL_IN input can be overdriven by an LVCMOS driver or by one side of a differential driver through an AC coupling capacitor. The XTAL_OUT pin can be left floating. The amplitude of the input signal should be between 500mV and 1.8V and the slew rate should not be less than 0.2V/nS. For 3.3V LVCMOS inputs, the amplitude must be reduced from full swing to at least half the swing in order to prevent signal interference with the power rail and to reduce internal noise. *Figure 4A* shows an example of the interface diagram for a high speed 3.3V LVCMOS driver. This configuration requires that the sum of the output impedance of the driver (R_o) and the series resistance (R_s) equals the transmission line impedance. In addition, matched termination at the crystal input will attenuate the signal in half. This can be done in one of two ways. First, R_1 and R_2 in parallel should equal the transmission line impedance. For most 50Ω applications, R_1 and R_2 can be 100Ω. This can also be accomplished by removing R_1 and changing R_2 to 50Ω. The values of the resistors can be increased to reduce the loading for a slower and weaker LVCMOS driver. *Figure 4B* shows an example of the interface diagram for an LVPECL driver. This is a standard LVPECL termination with one side of the driver feeding the XTAL_IN input. It is recommended that all components in the schematics be placed in the layout. Though some components might not be used, they can be utilized for debugging purposes. The datasheet specifications are characterized and guaranteed by using a quartz crystal as the input.

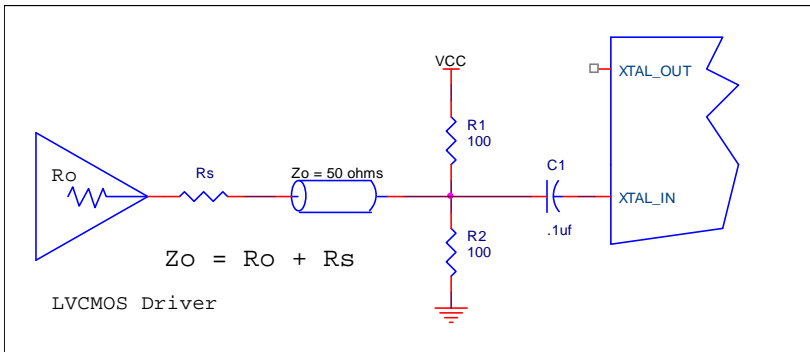


Figure 4A. General Diagram for LVCMOS Driver to XTAL Input Interface

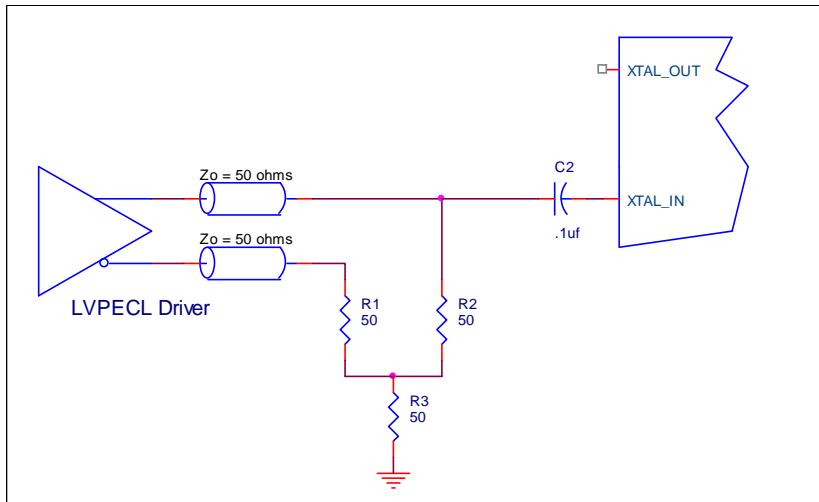


Figure 4B. General Diagram for LVPECL Driver to XTAL Input Interface

Differential Clock Input Interface

The CLK /nCLK accepts LVDS, LVPECL, HCSL and other differential signals. Both signals must meet the V_{PP} and V_{CMR} input requirements. Figures 5A to 5D show interface examples for the CLK /nCLK input with built-in 50Ω terminations driven by the most common driver types. The input interfaces suggested here are examples only. If the driver is from another vendor, use their termination recommendation. Please consult with the vendor of the driver component to confirm the driver termination requirements.

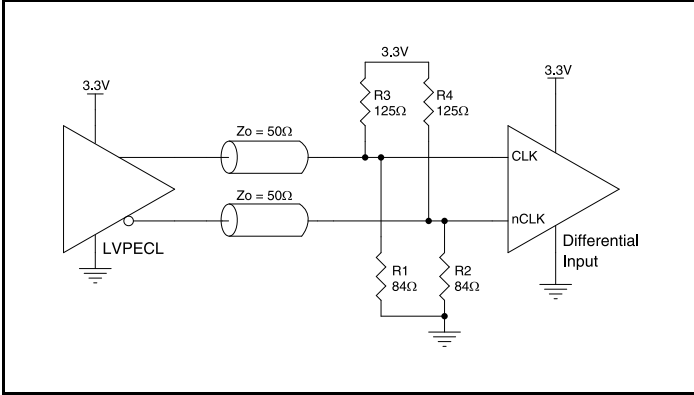


Figure 5A. CLK/nCLK Input Driven by a 3.3V LVPECL Driver

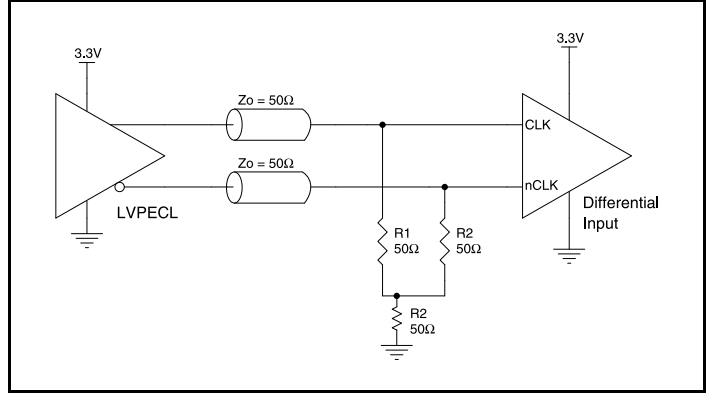


Figure 5B. CLK/nCLK Input Driven by a 3.3V LVPECL Driver

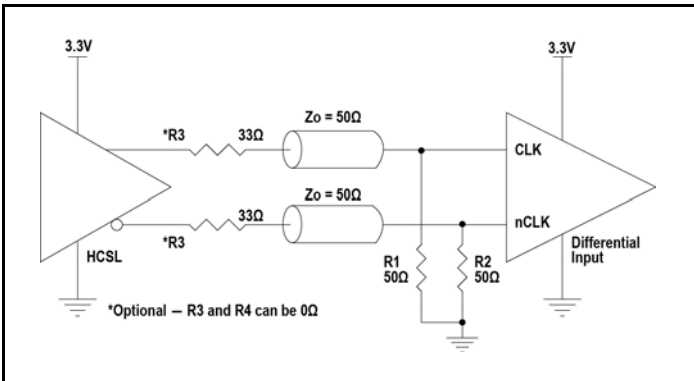


Figure 5C. CLK/nCLK Input Driven by a 3.3V HCSL Driver

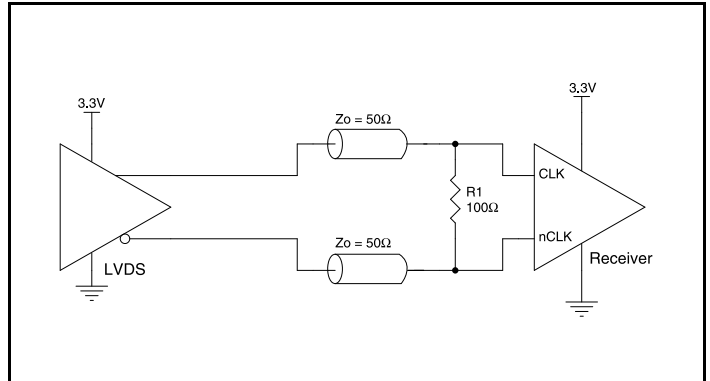


Figure 5D. CLK/nCLK Input Driven by a 3.3V LVDS Driver

VFQFN EPAD Thermal Release Path

In order to maximize both the removal of heat from the package and the electrical performance, a land pattern must be incorporated on the Printed Circuit Board (PCB) within the footprint of the package corresponding to the exposed metal pad or exposed heat slug on the package, as shown in *Figure 6*. The solderable area on the PCB, as defined by the solder mask, should be at least the same size/shape as the exposed pad/slug area on the package to maximize the thermal/electrical performance. Sufficient clearance should be designed on the PCB between the outer edges of the land pattern and the inner edges of pad pattern for the leads to avoid any shorts.

While the land pattern on the PCB provides a means of heat transfer and electrical grounding from the package to the board through a solder joint, thermal vias are necessary to effectively conduct from the surface of the PCB to the ground plane(s). The land pattern must be connected to ground through these vias. The vias act as “heat pipes”. The number of vias (i.e. “heat pipes”) are application specific and dependent upon the package power dissipation as well as electrical conductivity requirements. Thus, thermal and electrical analysis and/or testing are recommended to determine the minimum number needed. Maximum thermal and electrical performance is achieved when an array of vias is incorporated in the land pattern. It is recommended to use as many vias connected to ground as possible. It is also recommended that the via diameter should be 12 to 13mils (0.30 to 0.33mm) with 1oz copper via barrel plating. This is desirable to avoid any solder wicking inside the via during the soldering process which may result in voids in solder between the exposed pad/slug and the thermal land. Precautions should be taken to eliminate any solder voids between the exposed heat slug and the land pattern. Note: These recommendations are to be used as a guideline only. For further information, please refer to the Application Note on the Surface Mount Assembly of Amkor’s Thermally/ Electrically Enhance Lead-frame Base Package, Amkor Technology.

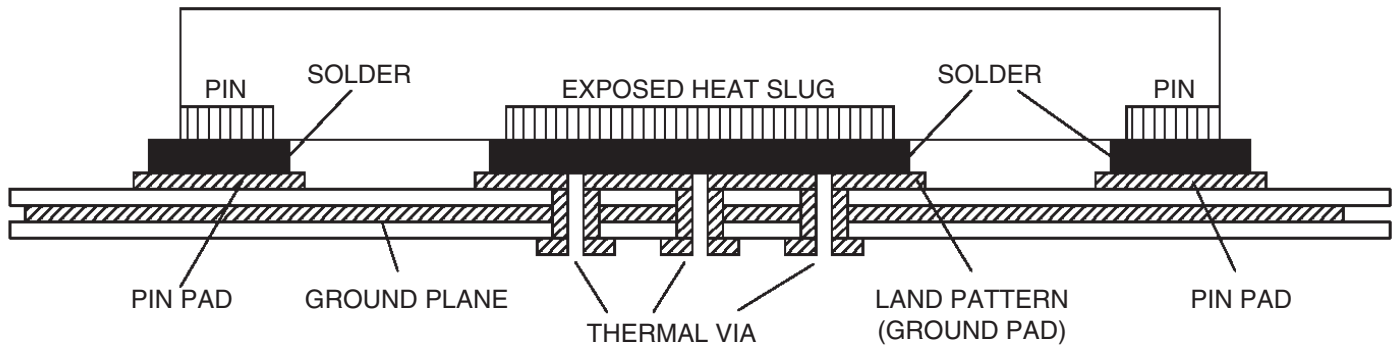


Figure 6. P.C. Assembly for Exposed Pad Thermal Release Path – Side View (drawing not to scale)

Power Considerations

This section provides information on power dissipation and junction temperature for the 8L30205. Equations and example calculations are also provided.

1. Power Dissipation.

The total power dissipation for the 8L30205 is the sum of the core power plus the power dissipation in the load(s). The following is the power dissipation for $V_{DD} = 3.3V + 5\% = 3.465V$, which gives worst case results.

Total Static Power:

$$\text{Power (core)}_{MAX} = V_{DD_MAX} * I_{DD} = 3.465V * 19mA = \mathbf{65.835mW}$$

Dynamic Power Dissipation at F_{OUT} (200MHz)

$$\text{Total Power (F}_{OUT_MAX}) = [(C_{PD} * N) * \text{Frequency} * (V_{DDO})^2] = [(11pF * 5) * 200MHz * (3.465V)^2] = \mathbf{133mW}$$

N = number of outputs

Total Power

$$\begin{aligned} &= \text{Static Power} + \text{Dynamic Power Dissipation} \\ &= 65.835mW + 133mW \\ &= \mathbf{198.835mW} \end{aligned}$$

2. Junction Temperature.

Junction temperature, T_j , is the temperature at the junction of the bond wire and bond pad, and directly affects the reliability of the device. The maximum recommended junction temperature is 125°C. Limiting the internal transistor junction temperature, T_j , to 125°C ensures that the bond wire and bond pad temperature remains below 125°C.

$$\text{The equation for } T_j \text{ is as follows: } T_j = \theta_{JA} * Pd_total + T_A$$

T_j = Junction Temperature

θ_{JA} = Junction-to-Ambient Thermal Resistance

Pd_total = Total Device Power Dissipation (example calculation is in section 1 above)

T_A = Ambient Temperature

In order to calculate junction temperature, the appropriate junction-to-ambient thermal resistance θ_{JA} must be used. Assuming no air flow and a multi-layer board, the appropriate value is 37.07°C/W per Table 7 below.

Therefore, T_j for an ambient temperature of 85°C with all outputs switching is:

$$85^\circ\text{C} + 0.199 * 37.07^\circ\text{C/W} = 92.4^\circ\text{C}. \text{ This is below the limit of } 125^\circ\text{C}.$$

This calculation is only an example. T_j will obviously vary depending on the number of loaded outputs, supply voltage, air flow and the type of board (multi-layer).

Table 7. Thermal Resistance θ_{JA} for 24 Lead VFQFN, Forced Convection

| Meters per Second | θ_{JA} by Velocity | | |
|---|---------------------------|----------|----------|
| | 0 | 1 | 2 |
| Multi-Layer PCB, JEDEC Standard Test Boards | 37.07°C/W | 33.6°C/W | 32.0°C/W |

Case Temperature Considerations

This device supports applications in a natural convection environment which does not have any thermal conductivity through ambient air. The printed circuit board (PCB) is typically in a sealed enclosure without any natural or forced air flow and is kept at or below a specific temperature. The device package design incorporates an exposed pad (ePad) with enhanced thermal parameters which is soldered to the PCB where most of the heat escapes from the bottom exposed pad. For this type of application, it is recommended to use the junction-to-board thermal characterization parameter Ψ_{JB} (Psi-JB) to calculate the junction temperature (T_J) and ensure it does not exceed the maximum allowed junction temperature in the Absolute Maximum Rating table.

The junction-to-board thermal characterization parameter, Ψ_{JB} , is calculated using the following equation:

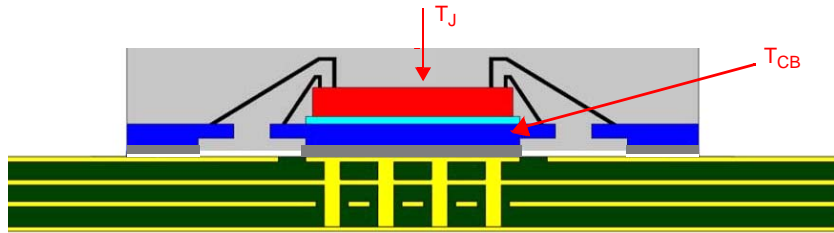
$T_J = T_{CB} + \Psi_{JB} \times P_d$, Where

T_J = Junction temperature at steady state condition in ($^{\circ}\text{C}$).

T_{CB} = Case temperature (Bottom) at steady state condition in ($^{\circ}\text{C}$).

Ψ_{JB} = Thermal characterization parameter to report the difference between junction temperature and the temperature of the board measured at the top surface of the board.

P_d = power dissipation (W) in desired operating configuration.



The ePad provides a low thermal resistance path for heat transfer to the PCB and represents the key pathway to transfer heat away from the IC to the PCB. It's critical that the connection of the exposed pad to the PCB is properly constructed to maintain the desired IC case temperature (T_{CB}). A good connection ensures that temperature at the exposed pad (T_{CB}) and the board temperature (T_B) are relatively the same. An improper connection can lead to increased junction temperature, increased power consumption and decreased electrical performance. In addition, there could be long-term reliability issues and increased failure rate.

Example Calculation for Junction Temperature (T_J): $T_J = T_{CB} + \Psi_{JB} \times P_d$

| | |
|---------------|------------------------|
| Package type: | 24-Lead VFQFN |
| Body size: | 4mm x 4mm x 0.9mm |
| ePad size: | 2.6mm x 2.6mm |
| Thermal Via: | 4 x 4 matrix |
| Ψ_{JB} | 2.36 C/W |
| T_{CB} | 105 $^{\circ}\text{C}$ |
| P_d | 0.199 W |

For the variables above, the junction temperature is equal to 105.5 $^{\circ}\text{C}$. Since this is below the maximum junction temperature of 125 $^{\circ}\text{C}$, there are no long term reliability concerns.

Reliability Information

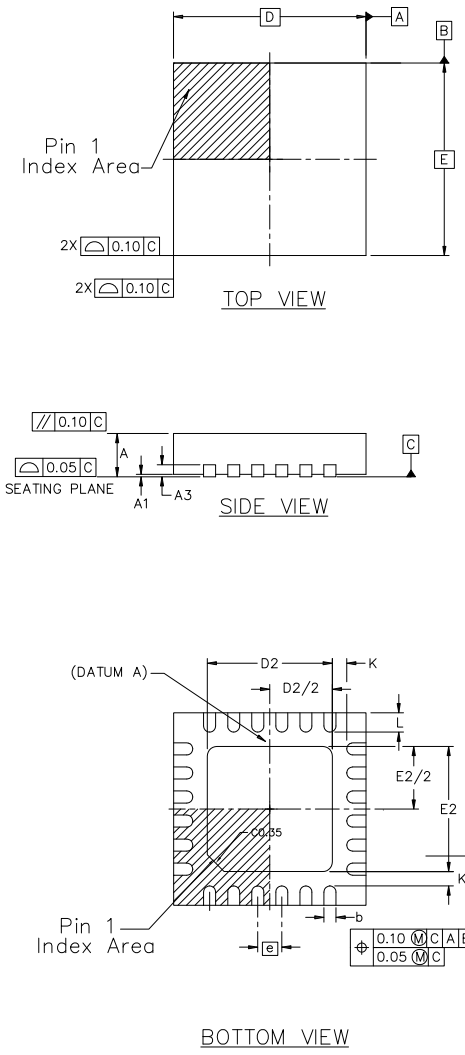
Table 8. θ_{JA} vs. Air Flow Table for a 24 Lead VFQFN

| θ_{JA} vs. Air Flow | | | |
|---|-----------|----------|----------|
| Meters per Second | 0 | 1 | 2 |
| Multi-Layer PCB, JEDEC Standard Test Boards | 37.07°C/W | 33.6°C/W | 32.0°C/W |

Transistor Count

The transistor count for 8L30205 is: 1,638

| REVISIONS | | | |
|-----------|---------------------|----------|----------|
| REV | DESCRIPTION | DATE | APPROVED |
| 00 | INITIAL RELEASE | 11/17/15 | J.H |
| 01 | CORRECT TITLE BLOCK | 6/15/16 | J.H |



| SYMBOL | DIMENSIONS | | |
|--------|------------|------|------|
| | MIN. | NOM. | MAX. |
| A | 0.80 | 0.90 | 1.00 |
| A1 | 0.00 | 0.02 | 0.05 |
| A3 | 0.20 REF | | |
| K | 0.30 | | |
| D | 4.00 BSC | | |
| E | 4.00 BSC | | |
| D2 | 2.50 | 2.60 | 2.70 |
| E2 | 2.50 | 2.60 | 2.70 |
| e | 0.50 BSC | | |
| L | 0.30 | 0.40 | 0.50 |
| b | 0.18 | 0.25 | 0.30 |

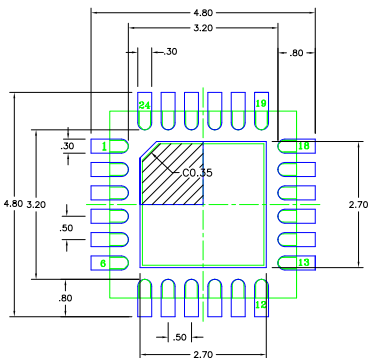
NOTES :

1. DIMENSIONING AND TOLERANCING CONFORME TO ASME Y14.5M – 1994.
2. ALL DIMENSIONS ARE IN MILLIMETERS.

| | | |
|--|------------------|--|
| TOLERANCES UNLESS SPECIFIED DECIMAL ANGULAR XXX± XXXX± XXXX± | | 6024 Silver Creek Valley Road San Jose, CA 95138 PHONE: (408) 284-8200 FAX: (408) 284-8591 www.IDT.com |
| APPROVALS DRAWN <i>RAC</i> CHECKED | DATE 11/17/15 | |
| SIZE C | | DRAWING No. PSC-4192-03 |
| DO NOT SCALE DRAWING | | REV 01 SHEET 1 OF 2 |

Recommended Land Pattern

| REVISIONS | | | |
|-----------|---------------------|----------|----------|
| REV | DESCRIPTION | DATE | APPROVED |
| 00 | INITIAL RELEASE | 11/17/15 | J.H |
| 01 | CORRECT TITLE BLOCK | 6/15/16 | J.H |



RECOMMENDED LAND PATTERN DIMENSION

NOTES:

1. ALL DIMENSIONS ARE IN mm. ANGLES IN DEGREES.
2. TOP DOWN VIEW, AS VIEWED ON PCB.
3. COMPONENT OUTLINE SHOWS FOR REFERENCE IN GREEN.
4. LAND PATTERN IN BLUE. NSMD PATTERN ASSUMED.
5. LAND PATTERN RECOMMENDATION PER IPC-7351B GENERIC REQUIREMENT FOR SURFACE MOUNT DESIGN AND LAND PATTERN.

| | | |
|--------------------------------|----------|--|
| TOLERANCES UNLESS SPECIFIED | | 6024 Silver Creek Valley Road San Jose, CA 95138 PHONE: (408) 284-8200 FAX: (408) 284-8591 www.IDT.com |
| DECIMAL | ANGULAR | |
| XX± | ± | |
| XXX± | | |
| XXXX± | | |
| APPROVALS | DATE | TITLE |
| DRAWN <i>BAC</i> | 11/17/15 | NLG24 PACKAGE OUTLINE |
| CHECKED | | 4.0 x 4.0 mm BODY, EPAD 2.60mm SQ 0.5 mm PITCH QFN |
| | SIZE | DRAWING No. |
| | C | PSC-4192-03 |
| | | REV |
| | | 01 |
| DO NOT SCALE DRAWING | | SHEET 2 OF 2 |

Ordering Information

| Part/Order Number | Marking | Package | Shipping Packaging | Temperature |
|-------------------|---------|--------------------------|--------------------|---------------|
| 8L30205NLGI | 0205GI | 24 Lead VFQFN, Lead-Free | Tray | -40°C to 85°C |
| 8L30205NLGI8 | 0205GI | 24 Lead VFQFN, Lead-Free | Tape & Reel | -40°C to 85°C |

Revision History

| Revision Date | Description of Change |
|---------------|--|
| May 3, 2017 | <ul style="list-style-type: none"> ▪ Table 4C - added V_{IH} max specs. ▪ Updated Package Drawings. ▪ Updated datasheet header/footer. |