

## General Description

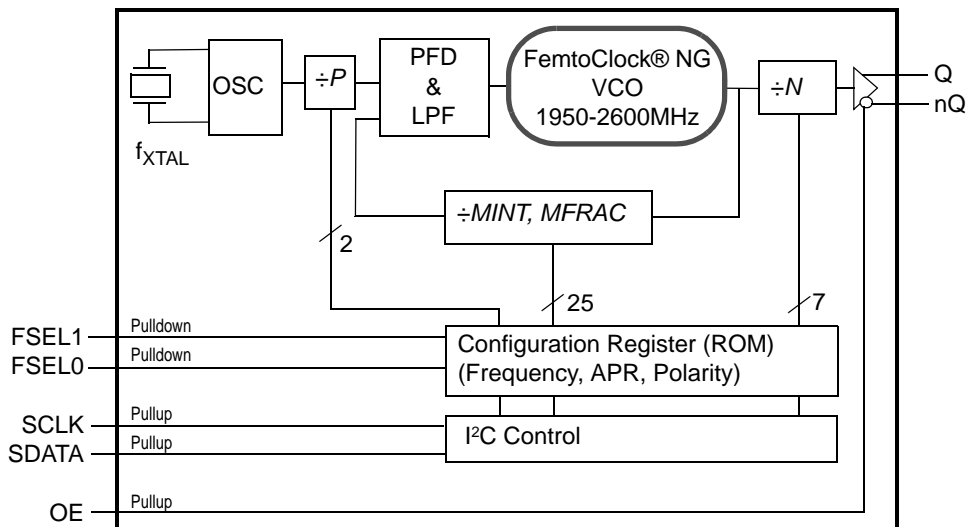
The IDT8N4Q001 is a Quad-Frequency Programmable Clock Oscillator with very flexible frequency programming capabilities. The device uses IDT's fourth generation FemtoClock® NG technology for an optimum high clock frequency and low phase noise performance. The device accepts 2.5V or 3.3V supply and is packaged in a small, lead-free (RoHS 6) 10-lead ceramic 5mm x 7mm x 1.55mm package.

Besides the four default power-up frequencies set by the FSEL0 and FSEL1 pins, the IDT8N4Q001 can be programmed via the I<sup>2</sup>C interface to output clock frequencies between 15.476MHz to 866.67MHz and from 975MHz to 1,300MHz to a very high degree of precision with a frequency step size of  $435.9\text{Hz} \div N$  ( $N$  is the PLL output divider). Since the FSEL0 and FSEL1 pins are mapped to four independent PLL divider registers (P, MINT, MFRAC and N), reprogramming those registers to other frequencies under control of FSEL0 and FSEL1 is supported. The extended temperature range supports wireless infrastructure, telecommunication and networking end equipment requirements.

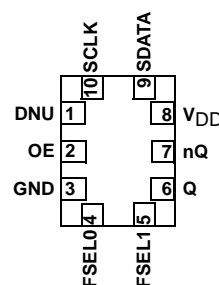
## Features

- Fourth generation FemtoClock® NG technology
- Programmable clock output frequency from 15.476MHz to 866.67MHz and from 975MHz to 1,300MHz
- Four power-up default frequencies (see part number order codes), re-programmable by I<sup>2</sup>C
- I<sup>2</sup>C programming interface for the output clock frequency and internal PLL control registers
- Frequency programming resolution is  $435.9\text{Hz} \div N$
- One 2.5V, 3.3V LVDS clock output
- Two control inputs for the power-up default frequency
- LVCMOS/LVTTL compatible control inputs
- RMS phase jitter @ 156.25MHz (12kHz - 20MHz): 0.253ps (typical), integer PLL feedback configuration
- RMS phase jitter @ 156.25MHz (1kHz - 40MHz): 0.263ps (typical), integer PLL feedback configuration
- Full 2.5V or 3.3V supply modes
- -40°C to 85°C ambient operating temperature
- Available in Lead-free (RoHS 6) package

## Block Diagram



## Pin Assignment



**IDT8N4Q001**  
**10-lead ceramic 5mm x 7mm x 1.55mm**  
**package body**  
**CD Package**  
**Top View**

**Table 1. Pin Descriptions**

| Number | Name            | Type   |          | Description  |
|--------|-----------------|--------|----------|--|
| 1      | DNU             |        |          | Do not use.  |
| 2      | OE              | Input  | Pullup   | Output enable pin. See Table 3A for function. LVCMOS/LVTTL interface levels.                                 |
| 3      | GND             | Power  |          | Power supply ground.   |
| 5, 4   | FSEL1, FSEL0    | Input  | Pulldown | Default frequency select pins. See the Default Frequency Order Codes section. LVCMOS/LVTTL interface levels. |
| 6, 7   | Q, nQ           | Output |          | Differential clock output. LVDS interface levels.  |
| 8      | V <sub>DD</sub> | Power  |          | Power supply pin.  |
| 9      | SDATA           | Input  | Pullup   | I <sup>2</sup> C Data Input. LVCMOS/LVTTL interface levels.  |
| 10     | SCLK            | Input  | Pullup   | I <sup>2</sup> C Clock Input. LVCMOS/LVTTL interface levels.   |

NOTE: *Pullup* and *Pulldown* refer to internal input resistors. See Table 2, *Pin Characteristics*, for typical values.

**Table 2. Pin Characteristics**

| Symbol                | Parameter               | Test Conditions | Minimum | Typical | Maximum | Units |
|-----------------------|-------------------------|-----------------|---------|---------|---------|-------|
| C <sub>IN</sub>       | Input Capacitance       |                 |         | 5.5     |         | pF    |
| R <sub>PULLUP</sub>   | Input Pullup Resistor   |                 |         | 50      |         | kΩ    |
| R <sub>PULLDOWN</sub> | Input Pulldown Resistor |                 |         | 50      |         | kΩ    |

## Function Tables

**Table 3A. OE Configuration**

| Input       | Output Enable                              |
|-------------|--|
| 0           | Outputs Q, nQ are in high-impedance state. |
| 1 (default) | Outputs are enabled.                       |

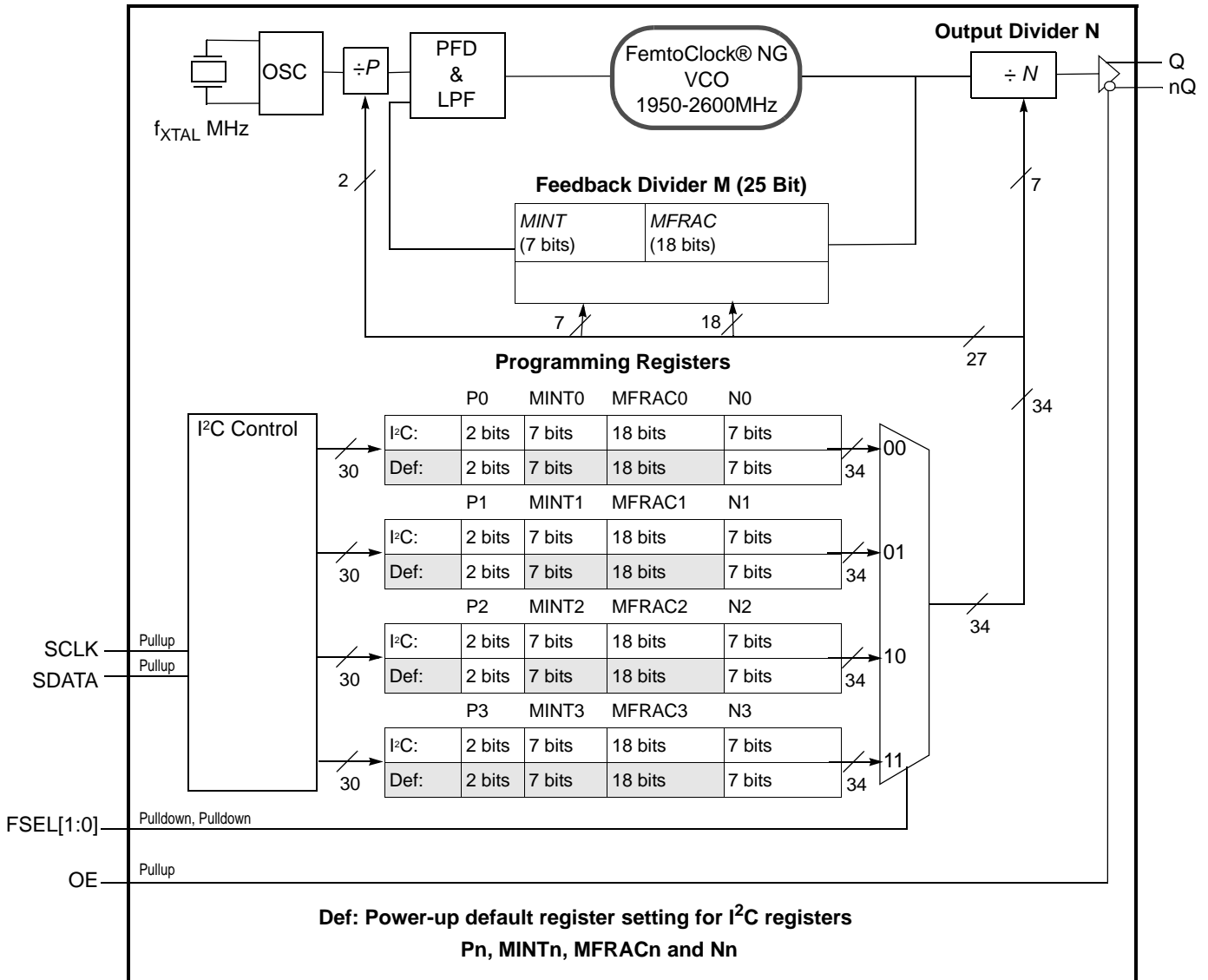
NOTE: OE is an asynchronous control.

**Table 3B. Output Frequency Range**

| Output Frequency Ranges |
|-------------------------|
| 15.476MHz to 866.67MHz  |
| 975MHz to 1,300MHz      |

NOTE: Supported output frequency range. The output frequency can be programmed to any frequency in this range and to a precision of 218Hz or better.

## Block Diagram with Programming Registers



## Principles of Operation

The block diagram consists of the internal 3<sup>rd</sup> overtone crystal and oscillator which provide the reference clock  $f_{XTAL}$  of either 114.285 MHz or 100MHz. The PLL includes the FemtoClock NG VCO along with the Pre-divider ( $P$ ), the feedback divider ( $M$ ) and the post divider ( $N$ ). The  $P$ ,  $M$ , and  $N$  dividers determine the output frequency based on the  $f_{XTAL}$  reference and must be configured correctly for proper operation. The feedback divider is fractional supporting a huge number of output frequencies. The configuration of the feedback divider to integer-only values results in an improved output phase noise characteristics at the expense of the range of output frequencies. In addition, internal registers are used to hold up to four different factory pre-set  $P$ ,  $M$ , and  $N$  configuration settings. These default pre-sets are stored in the I<sup>2</sup>C registers at power-up. Each configuration is selected via the FSEL[1:0] pins and can be read back using the SCLK and SDATA pins.

The user may choose to operate the device at an output frequency different than that set by the factory. After power-up, the user may write new  $P$ ,  $N$  and  $M$  settings into one or more of the four configuration registers and then use the FSEL[1:0] pins to select the newly programmed configuration. Note that the I<sup>2</sup>C registers are volatile and a power supply cycle will reload the pre-set factory default conditions.

If the user does choose to write a different  $P$ ,  $M$ , and  $N$  configuration, it is recommended to write to a configuration which is not currently selected by FSEL[1:0] and then change to that configuration after the I<sup>2</sup>C transaction has completed. Changing the FSEL[1:0] controls results in an immediate change of the output frequency to the selected register values. The  $P$ ,  $M$ , and  $N$  frequency configurations support an output frequency range 15.476MHz to 866.67MHz and 975MHz to 1,300MHz.

The devices use the fractional feedback divider with a delta-sigma modulator for noise shaping and robust frequency synthesis capability. The relatively high reference frequency minimizes phase noise generated by frequency multiplication and allows more efficient shaping of noise by the delta-sigma modulator.

The output frequency is determined by the 2-bit pre-divider ( $P$ ), the feedback divider ( $M$ ) and the 7-bit post divider ( $N$ ). The feedback divider ( $M$ ) consists of both a 7-bit integer portion ( $MINT$ ) and an 18-bit fractional portion ( $MFRAC$ ) and provides the means for high-resolution frequency generation. The output frequency  $f_{OUT}$  is calculated by:

$$f_{OUT} = f_{XTAL} \cdot \frac{1}{P \cdot N} \cdot \left[ MINT + \frac{MFRAC + 0.5}{2^{18}} \right] \quad (1)$$

The four configuration registers for the  $P$ ,  $M$  ( $MINT$  &  $MFRAC$ ) and  $N$  dividers which are named  $P_n$ ,  $MINT_n$ ,  $MFRAC_n$  and  $N_n$  with  $n = 0$  to 3. “ $n$ ” denominates one of the four possible configurations.

As identified previously, the configurations of  $P$ ,  $M$  ( $MINT$  &  $MFRAC$ ) and  $N$  divider settings are stored the I<sup>2</sup>C register, and the configuration loaded at power-up is determined by the FSEL[1:0] pins.

**Table 4. Frequency Selection**

| Input    |          | Selects     | Register              |
|----------|----------|-------------|-----------------------|
| FSEL1    | FSEL0    |             |                       |
| 0 (def.) | 0 (def.) | Frequency 0 | P0, MINT0, MFRAC0, N0 |
| 0        | 1        | Frequency 1 | P1, MINT1, MFRAC1, N1 |
| 1        | 0        | Frequency 2 | P2, MINT2, MFRAC2, N2 |
| 1        | 1        | Frequency 3 | P3, MINT3, MFRAC3, N3 |

## Frequency Configuration

An order code is assigned to each frequency configuration programmed by the factory (default frequencies). For more information on the available default frequencies and order codes, please see the Ordering Information Section in this document. For available order codes, see the *FemtoClock NG Ceramic-Package XO and VCXO Ordering Product Information* document.

For more information and guidelines on programming of the device for custom frequency configurations, the register description, the selection of fractional and integer-feedback configurations and the serial interface description, see the *FemtoClock NG Ceramic 5x7 Module Programming Guide*.

## Absolute Maximum Ratings

NOTE: Stresses beyond those listed under *Absolute Maximum Ratings* may cause permanent damage to the device. These ratings are stress specifications only. Functional operation of product at these conditions or any conditions beyond those listed in the *DC Characteristics* or *AC Characteristics* is not implied. Exposure to absolute maximum rating conditions for extended periods may affect product reliability.

| Item   | Rating                   |
|--|--------------------------|
| Supply Voltage, $V_{DD}$   | 3.63V                    |
| Inputs, $V_I$  | -0.5V to $V_{DD} + 0.5V$ |
| Outputs, $I_O$ (SDATA)<br>Outputs, $I_O$ (LVDS)<br>Continuous Current<br>Surge Current | 10mA<br>10mA<br>15mA     |
| Package Thermal Impedance, $\theta_{JA}$   | 49.4°C/W (0 mps)         |
| Storage Temperature, $T_{STG}$   | -65°C to 150°C           |

## DC Electrical Characteristics

**Table 5A. Power Supply DC Characteristics,  $V_{DD} = 3.3V \pm 5\%$ ,  $T_A = -40^\circ C$  to  $85^\circ C$**

| Symbol   | Parameter            | Test Conditions | Minimum | Typical | Maximum | Units |
|----------|----------------------|-----------------|---------|---------|---------|-------|
| $V_{DD}$ | Power Supply Voltage |                 | 3.135   | 3.3     | 3.465   | V     |
| $I_{DD}$ | Power Supply Current |                 |         |         | 160     | mA    |

**Table 5B. Power Supply DC Characteristics,  $V_{DD} = 2.5V \pm 5\%$ ,  $T_A = -40^\circ C$  to  $85^\circ C$**

| Symbol   | Parameter            | Test Conditions | Minimum | Typical | Maximum | Units |
|----------|----------------------|-----------------|---------|---------|---------|-------|
| $V_{DD}$ | Power Supply Voltage |                 | 2.375   | 2.5     | 2.625   | V     |
| $I_{DD}$ | Power Supply Current |                 |         |         | 155     | mA    |

**Table 5C. LVCMOS/LVTTL DC Characteristic,  $V_{DD} = 3.3V \pm 5\%$  or  $2.5V \pm 5\%$ ,  $T_A = -40^{\circ}C$  to  $85^{\circ}C$** 

| Symbol   | Parameter          | Test Conditions | Minimum  | Typical | Maximum | Units          |         |
|----------|--------------------|-----------------|--|---------|---------|----------------|---------|
| $V_{IH}$ | Input High Voltage | FSEL[1:0], OE   | $V_{CC} = 3.3V + 5\%$                            | 1.7     |         | $V_{CC} + 0.3$ | V       |
|          |                    | FSEL[1:0], OE   | $V_{CC} = 2.5V + 5\%$                            | 1.7     |         | $V_{CC} + 0.3$ | V       |
| $V_{IL}$ | Input Low Voltage  | FSEL[1:0]       | $V_{CC} = 3.3V + 5\%$                            | -0.3    |         | 0.5            | V       |
|          |                    | OE              | $V_{CC} = 3.3V + 5\%$                            | -0.3    |         | 0.8            | V       |
|          |                    | FSEL[1:0]       | $V_{CC} = 2.5V + 5\%$                            | -0.3    |         | 0.5            | V       |
|          |                    | OE              | $V_{CC} = 2.5V + 5\%$                            | -0.3    |         | 0.8            | V       |
| $I_{IH}$ | Input High Current | OE              | $V_{DD} = V_{IN} = 3.465V$ or $2.625V$           |         |         | 10             | $\mu A$ |
|          |                    | SDATA, SCLK     | $V_{DD} = V_{IN} = 3.465V$ or $2.625V$           |         |         | 5              | $\mu A$ |
|          |                    | FSEL0, FSEL1    | $V_{DD} = V_{IN} = 3.465V$ or $2.625V$           |         |         | 150            | $\mu A$ |
| $I_{IL}$ | Input Low Current  | OE              | $V_{DD} = 3.465V$ or $2.625V$ ,<br>$V_{IN} = 0V$ | -500    |         |                | $\mu A$ |
|          |                    | SDATA, SCLK     | $V_{DD} = 3.465V$ or $2.625V$ ,<br>$V_{IN} = 0V$ | -150    |         |                | $\mu A$ |
|          |                    | FSEL0, FSEL1    | $V_{DD} = 3.465V$ or $2.625V$ ,<br>$V_{IN} = 0V$ | -5      |         |                | $\mu A$ |

**Table 5D. LVDS DC Characteristics,  $V_{DD} = 3.3V \pm 5\%$  or  $2.5V, \pm 5\%$ ,  $T_A = -40^{\circ}C$  to  $85^{\circ}C$** 

| Symbol          | Parameter                   | Test Conditions | Minimum | Typical | Maximum | Units |
|-----------------|-----------------------------|-----------------|---------|---------|---------|-------|
| $V_{OD}$        | Differential Output Voltage |                 | 247     | 350     | 454     | mV    |
| $\Delta V_{OD}$ | $V_{OD}$ Magnitude Change   |                 |         |         | 50      | mV    |
| $V_{OS}$        | Offset Voltage              |                 | 1.0     | 1.20    | 1.375   | V     |
| $\Delta V_{OS}$ | $V_{OS}$ Magnitude Change   |                 |         |         | 50      | mV    |

## AC Electrical Characteristics

Table 6. AC Characteristics,  $V_{DD} = 3.3V \pm 5\%$  or  $2.5V \pm 5\%$ ,  $T_A = -40^\circ C$  to  $85^\circ C$

| Symbol               | Parameter   | Test Conditions                                       | Minimum | Typical | Maximum   | Units  |
|----------------------|---|---|---------|---------|-----------|--------|
| $f_{OUT}$            | Output Frequency Q, nQ  | Output Divider, $N = 3$ to $126$                      | 15.476  |         | 866.67    | MHz    |
|                      |   | Output Divider, $N = 2$                               | 975     |         | 1,300     | MHz    |
| $f_I$                | Initial Accuracy  | Measured at $25^\circ C$                              |         |         | $\pm 10$  | ppm    |
| $f_S$                | Temperature Stability   | Option code = A or B                                  |         |         | $\pm 100$ | ppm    |
|                      |   | Option code = E or F                                  |         |         | $\pm 50$  | ppm    |
|                      |   | Option code = K or L                                  |         |         | $\pm 20$  | ppm    |
| $f_A$                | Aging   | Frequency drift over 10 year life                     |         |         | $\pm 3$   | ppm    |
|                      |   | Frequency drift over 15 year life                     |         |         | $\pm 5$   | ppm    |
| $f_T$                | Total Stability   | Option code A or B (10 year life)                     |         |         | $\pm 113$ | ppm    |
|                      |   | Option code E or F (10 year life)                     |         |         | $\pm 63$  | ppm    |
|                      |   | Option code K or L (10 year life)                     |         |         | $\pm 33$  | ppm    |
| $f_{jit(cc)}$        | Cycle-to-Cycle Jitter; NOTE 1   |   |         |         | 20        | ps     |
| $f_{jit(per)}$       | RMS Period Jitter; NOTE 1   |   |         | 2.85    | 4         | ps     |
| $f_{jit}(\emptyset)$ | RMS Phase Jitter (Random);<br>Fractional PLL feedback and<br>$f_{XTAL}=100.000MHz$ (2xxx order codes) | $17 MHz \leq f_{OUT} \leq 1300 MHz$ ,<br>NOTE 2,3,4   |         | 0.440   | 0.995     | ps     |
|                      |   | $500 MHz \leq f_{OUT} \leq 1300 MHz$ ,<br>NOTE 2,3,4  |         | 0.240   | 0.390     | ps     |
|                      | RMS Phase Jitter (Random);<br>Integer PLL feedback and<br>$f_{XTAL}=100.00MHz$ (1xxx order codes)     | $125 MHz \leq f_{OUT} < 500 MHz$ ,<br>NOTE 2,3,4      |         | 0.245   | 0.425     | ps     |
|                      |   | $17 MHz \leq f_{OUT} < 125 MHz$ ,<br>NOTE 2,3,4       |         | 0.350   | 0.555     | ps     |
|                      |   | $f_{OUT} = 156.25 MHz$ , NOTE 2, 3, 4                 |         | 0.253   |           | ps     |
|                      |   | $f_{OUT} = 156.25 MHz$ , NOTE 2, 3, 5                 |         | 0.263   |           | ps     |
|                      | RMS Phase Jitter (Random)<br>Fractional PLL feedback and<br>$f_{XTAL}=114.285MHz$ (0xxx order codes)  | $17 MHz \leq f_{OUT} \leq 1300 MHz$ ,<br>NOTE 2, 3, 4 |         | 0.475   | 0.990     | ps     |
| $\Phi_N(100)$        | Single-side band phase noise,<br>100Hz from Carrier   | 156.25MHz   |         | -94.7   |           | dBc/Hz |
| $\Phi_N(1k)$         | Single-side band phase noise,<br>1kHz from Carrier  | 156.25MHz   |         | -121.5  |           | dBc/Hz |
| $\Phi_N(10k)$        | Single-side band phase noise,<br>10kHz from Carrier   | 156.25MHz   |         | -130.9  |           | dBc/Hz |
| $\Phi_N(100k)$       | Single-side band phase noise,<br>100kHz from Carrier  | 156.25MHz   |         | -137.2  |           | dBc/Hz |
| $\Phi_N(1M)$         | Single-side band phase noise,<br>1MHz from Carrier  | 156.25MHz   |         | -138.9  |           | dBc/Hz |
| $\Phi_N(10M)$        | Single-side band phase noise,<br>10MHz from Carrier   | 156.25MHz   |         | -153.7  |           | dBc/Hz |
| PSNR                 | Power Supply Noise Rejection  | 50mV Sinusoidal Noise<br>1kHz - 50kHz                 |         | -54     |           | dB     |
| $t_R / t_F$          | Output Rise/Fall Time   | 20% to 80%  | 100     |         | 425       | ps     |

| Symbol               | Parameter   | Test Conditions | Minimum | Typical | Maximum | Units |
|----------------------|---|-----------------|---------|---------|---------|-------|
| odc                  | Output Duty Cycle   |                 | 45      |         | 55      | %     |
| t <sub>STARTUP</sub> | Oscillator Start-Up Time  |                 |         |         | 20      | ms    |
| t <sub>SET</sub>     | Output frequency settling time after FSEL0 and FSEL1 values are changed |                 |         | 470     |         | μs    |

NOTE: Electrical parameters are guaranteed over the specified ambient operating temperature range, which is established when the device is mounted in a test socket with maintained transverse airflow greater than 500 lfpm. The device will meet specifications after thermal equilibrium has been reached under these conditions.

NOTE: XTAL parameters (initial accuracy, temperature stability, aging and total stability) are guaranteed by manufacturing.

NOTE 1: This parameter is defined in accordance with JEDEC standard 65.

NOTE 2: Please refer to the phase noise plots.

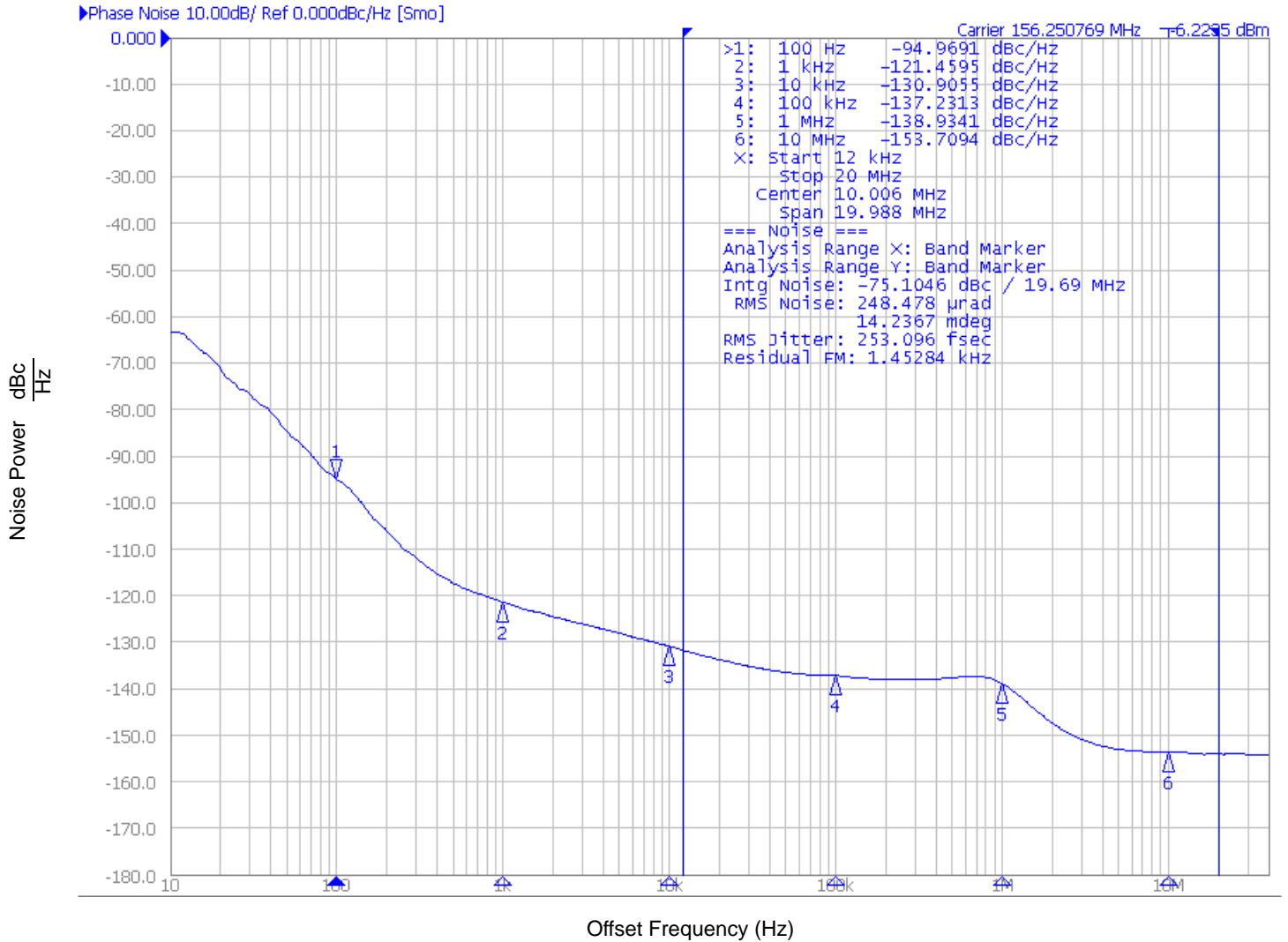
NOTE 3: Please see the FemtoClockNG Ceramic 5x7 Modules Programming guide for more information on PLL feedback modes and the optimum configuration for phase noise. Integer PLL feedback is the default operation for the dddd = 1xxx order codes and configures *DSM\_ENA* = 0 and *ADC\_EN* = 0..

NOTE 4: Integration range: 12kHz-20MHz.

NOTE 5: Integration range: 1kHz-40MHz.



### Typical Phase Noise at 156.25MHz (12kHz - 20MHz)



RMS Phase Noise (Random) for Integer PLL Feedback and  $f_{XTAL}=100.000$ MHz.

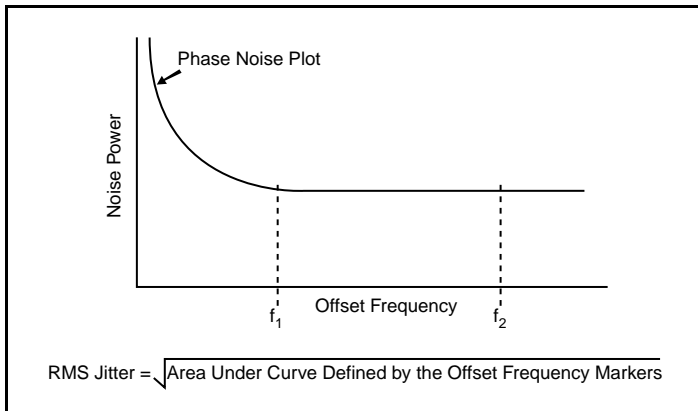
## Parameter Measurement Information



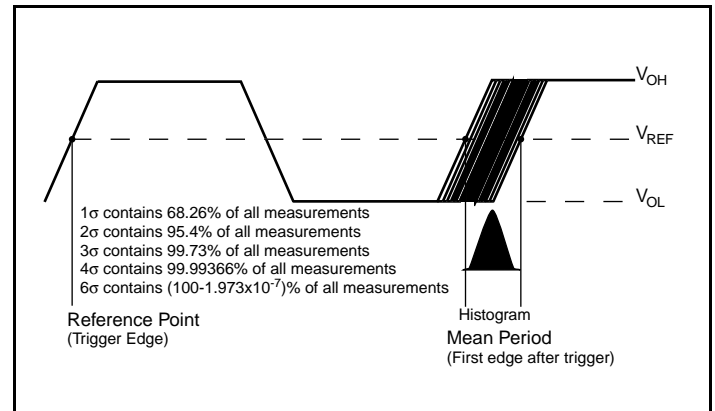
3.3V LVDS Output Load AC Test Circuit



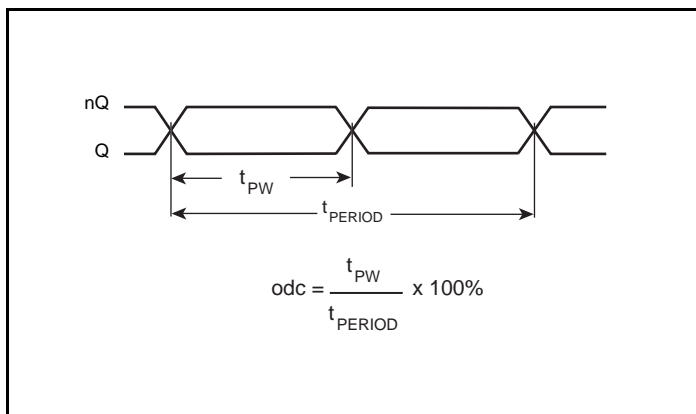
2.5V LVDS Output Load AC Test Circuit



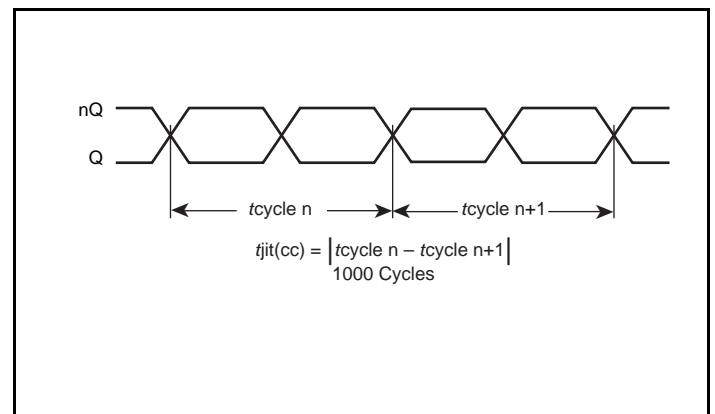
RMS Phase Jitter



Period Jitter



Output Duty Cycle/Pulse Width/Period



Cycle-to-Cycle Jitter

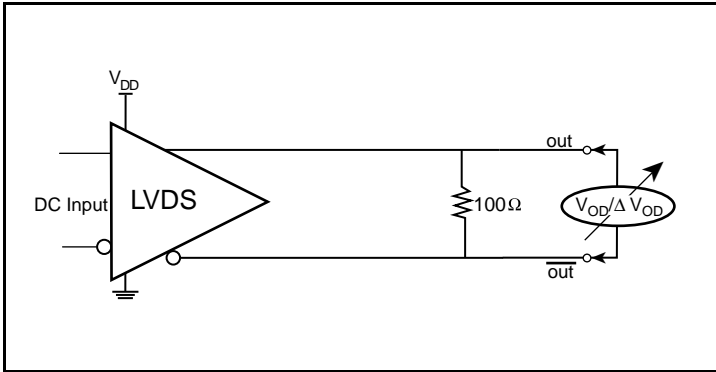
Parameter Measurement Information (continued)



Output Rise/Fall Time



Offset Voltage Setup



Differential Output Voltage Setup

## Applications Information

### Recommendations for Unused Input Pins

#### Inputs:

##### LVCMOS Select Pins

All control pins have internal pulldowns; additional resistance is not required but can be added for additional protection. A 1kΩ resistor can be used.

### LVDS Driver Termination

For a general LVDS interface, the recommended value for the termination impedance ( $Z_T$ ) is between 90Ω and 132Ω. The actual value should be selected to match the differential impedance ( $Z_0$ ) of your transmission line. A typical point-to-point LVDS design uses a 100Ω parallel resistor at the receiver and a 100Ω differential transmission-line environment. In order to avoid any transmission-line reflection issues, the components should be surface mounted and must be placed as close to the receiver as possible. IDT offers a full line of LVDS compliant devices with two types of output structures: current source and voltage source. The

standard termination schematic as shown in *Figure 1A* can be used with either type of output structure. *Figure 1B*, which can also be used with both output types, is an optional termination with center tap capacitance to help filter common mode noise. The capacitor value should be approximately 50pF. If using a non-standard termination, it is recommended to contact IDT and confirm if the output structure is current source or voltage source type. In addition, since these outputs are LVDS compatible, the input receiver's amplitude and common-mode input range should be verified for compatibility with the output.



#### LVDS Termination

## Schematic Layout

Figure 2 shows an example of IDT8N4Q001 application schematic. In this example, the device is operated at  $V_{DD} = 3.3V$ . As with any high speed analog circuitry, the power supply pins are vulnerable to noise. To achieve optimum jitter performance, power supply isolation is required.

In order to achieve the best possible filtering, it is recommended that the placement of the filter components be on the device side of the PCB as close to the power pins as possible. If space is limited, the 0.1uF capacitor in each power pin filter should be placed on the device side of the PCB and the other components can be placed on the opposite side.

Power supply filter recommendations are a general guideline to be used for reducing external noise from coupling into the devices. The filter performance is designed for wide range of noise frequencies. This low-pass filter starts to attenuate noise at approximately 10kHz. If a specific frequency noise component is known, such as switching power supply frequencies, it is recommended that component values be adjusted and if required, additional filtering be added. Additionally, good general design practices for power plane voltage stability suggests adding bulk capacitances in the local area of all devices.

The schematic example focuses on functional connections and is not configuration specific. Refer to the pin description and functional tables in the datasheet to ensure the logic control inputs are properly set.



Figure 2. IDT8N4Q001 Application Schematic

## Power Considerations

This section provides information on power dissipation and junction temperature for the IDT8N4Q001. Equations and example calculations are also provided.

### 1. Power Dissipation.

The total power dissipation for the ICS844S42I is the sum of the core power plus the power dissipated in the load(s). The following is the power dissipation for  $V_{DD} = 3.3V + 5\% = 3.465V$ , which gives worst case results.

- Power (core)<sub>MAX</sub> =  $V_{DD\_MAX} * I_{DD\_MAX} = 3.465V * 160mA = 554.4mW$

### 2. Junction Temperature.

Junction temperature,  $T_j$ , is the temperature at the junction of the bond wire and bond pad directly affects the reliability of the device. The maximum recommended junction temperature is 125°C. Limiting the internal transistor junction temperature,  $T_j$ , to 125°C ensures that the bond wire and bond pad temperature remains below 125°C.

The equation for  $T_j$  is as follows:  $T_j = \theta_{JA} * Pd\_total + T_A$

$T_j$  = Junction Temperature

$\theta_{JA}$  = Junction-to-Ambient Thermal Resistance

$Pd\_total$  = Total Device Power Dissipation (example calculation is in section 1 above)

$T_A$  = Ambient Temperature

In order to calculate junction temperature, the appropriate junction-to-ambient thermal resistance  $\theta_{JA}$  must be used. Assuming no air flow and a multi-layer board, the appropriate value is 49.4°C/W per Table 7 below.

Therefore,  $T_j$  for an ambient temperature of 85°C with all outputs switching is:

$$85^\circ\text{C} + 0.554\text{W} * 49.4^\circ\text{C/W} = 112.4^\circ\text{C}. \text{ This is below the limit of } 125^\circ\text{C}.$$

This calculation is only an example.  $T_j$  will obviously vary depending on the number of loaded outputs, supply voltage, air flow and the type of board (multi-layer).

**Table 7. Thermal Resistance  $\theta_{JA}$  for 10 Lead Ceramic 5mm x 7mm Package, Forced Convection**

| $\theta_{JA}$ by Velocity                   |          |          |          |
|---|----------|----------|----------|
| Meters per Second                           | 0        | 1        | 2.5      |
| Multi-Layer PCB, JEDEC Standard Test Boards | 49.4°C/W | 44.2°C/W | 41.0°C/W |

## Reliability Information

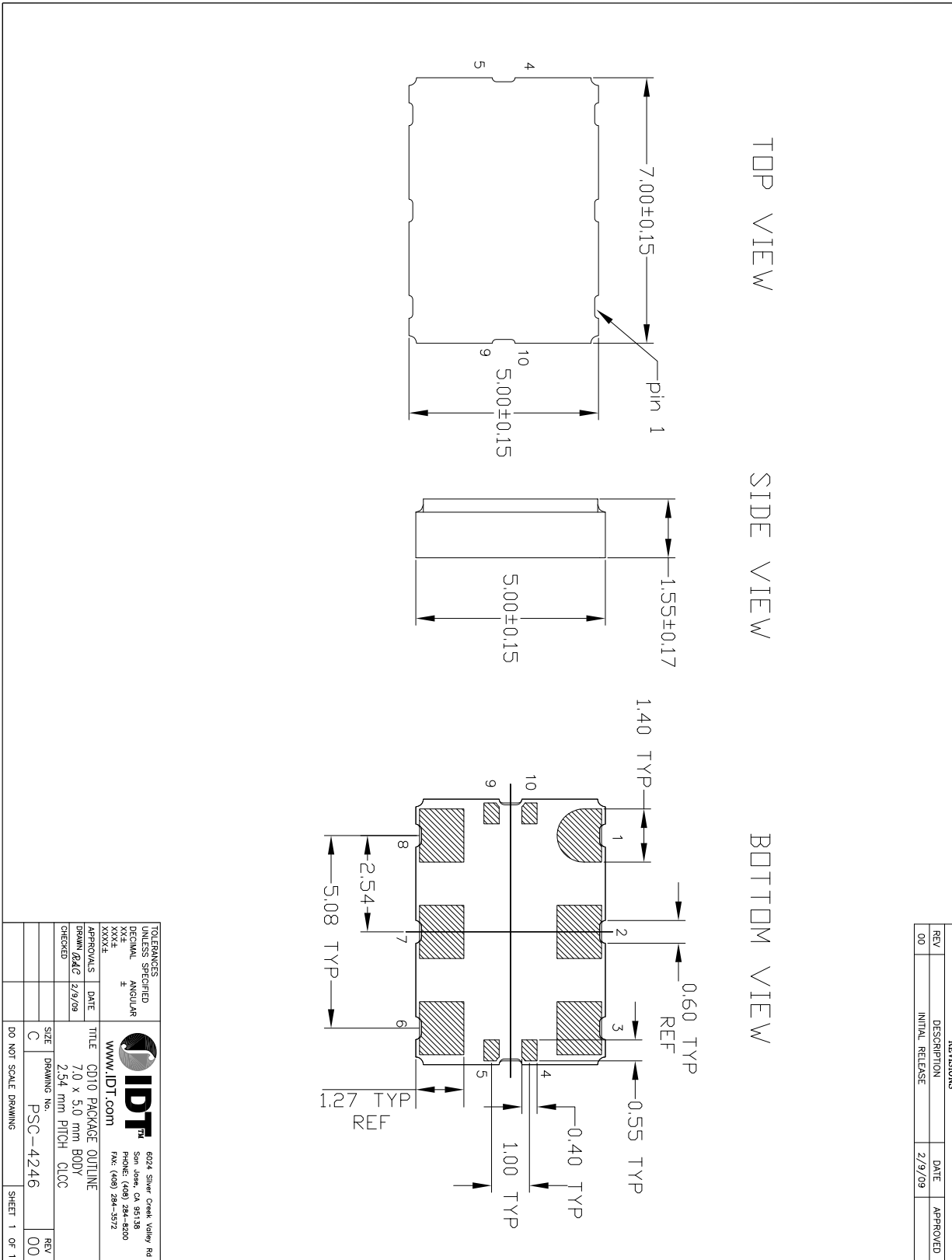
**Table 8.  $\theta_{JA}$  vs. Air Flow Table for a 10-lead Ceramic 5mm x 7mm Package**

| $\theta_{JA}$ vs. Air Flow                  |          |          |          |
|---|----------|----------|----------|
| Meters per Second                           | 0        | 1        | 2.5      |
| Multi-Layer PCB, JEDEC Standard Test Boards | 49.4°C/W | 44.2°C/W | 41.0°C/W |

## Transistor Count


The transistor count for IDT8N4Q001 is: 47,372

Package Outline and Package Dimensions



| REVISIONS |                 |        |          |
|-----------|-----------------|--------|----------|
| REV       | DESCRIPTION     | DATE   | APPROVED |
| 00        | INITIAL RELEASE | 2/9/09 |          |

|                             |         |
|-----------------------------|---------|
| TOLERANCES UNLESS SPECIFIED |         |
| LINEAR                      | ANGULAR |
| XXX.X                       | XXX.X   |
| APPROVALS                   | DATE    |
| DRAWN <i>BJG</i>            | 2/9/09  |
| CHECKED                     |         |

|   |  |
|---|--|
|  |  |
| TITLE CD10 PACKAGE OUTLINE<br>BODY 7.0 x 5.0 mm<br>PITCH 2.54 mm<br>CLCC            |  |

|                      |      |             |     |
|----------------------|------|-------------|-----|
| DO NOT SCALE DRAWING | SIZE | DRAWING NO. | REV |
|                      | C    | PSC-4246    | 00  |

6024 Silver Creek Valley Rd  
 San Jose, CA 95138  
 PHONE: (408) 284-8200  
 FAX: (408) 284-5372  
 WWW.IDT.COM



## Ordering Information for FemtoClock NG Ceramic-Package XO and VCXO Products

The programmable VCXO and XO devices support a variety of device options such as the output type, number of default frequencies, internal crystal frequency, power supply voltage, ambient temperature range and the frequency accuracy. The device options, default frequencies and default VCXO pull range must be specified at the time of order and are programmed by IDT before the shipment. The table below specifies the available order codes, including the device options and default frequency configurations. Example part number: the order code 8N3QV01FG-0001CDI specifies a programmable, quad default-frequency VCXO with a voltage supply of 2.5V, a LVPECL output, a  $\pm 50$  ppm crystal frequency accuracy,

contains a 114.285MHz internal crystal as frequency source, industrial temperature range, a lead-free (6/6 RoHS) 10-lead ceramic 5mm x 7mm x 1.55mm package and is factory-programmed to the default frequencies of 100MHz, 122.88MHz, 125MHz and 156.25MHz and to the VCXO pull range of minimum  $\pm 100$  ppm.

Other default frequencies and order codes are available from IDT on request. For more information on available default frequencies, see the *FemtoClock NG Ceramic-Package XO and VCXO Ordering Product Information* document.



**Table 9. Device Marking**

|                |  |  |
|----------------|--|--|
| <b>Marking</b> | Industrial Temperature Range ( $T_A = -40^{\circ}\text{C}$ to $85^{\circ}\text{C}$ )                       | Commercial Temperature Range ( $T_A = 0^{\circ}\text{C}$ to $70^{\circ}\text{C}$ ) |
|                | IDT8N4x001yG-<br><b>ddddCDI</b>  | IDT8N4x001yG-<br><b>ddddCD</b>   |
|                | $x$ = Number of Default Frequencies, $y$ = Option Code, <b>dddd</b> =Default-Frequency and VCXO Pull Range |  |

## Revision History Sheet

| Rev | Table | Page | Description of Change                      | Date   |
|-----|-------|------|--|--------|
| A   | 9     | 18   | Table 9 Device Marking, corrected marking. | 3/6/12 |

