

8V9705x

High-Resolution Wideband RF Synthesizer / PLL

The 8V9705x evaluation board is designed to help the customer evaluate the Renesas 8V97051, 8V97051L, 8V97052, 8V97053, and 8V97053L wideband RF synthesizers.

When the board is connected to a PC running Timing Commander Software through USB, the device can be configured and programmed to generate frequencies with best-in-class performances.

**Features**

- Develop configurations with Renesas RICBox software and upload to the EVB through USB
- Can be powered from the USB connection
- EVB is a combined evaluation with Renesas low-noise RF synthesizer and low-noise power supply regulators
- Clock output pairs are AC coupled and can be connected directly to test equipment through coax cables

**PC Requirements**

- IDT (Renesas) Timing Commander Software Installed
- USB 2.0 or USB 3.0 interface
- Windows XP SP3 or later
- Processor: Minimum 1GHz
- Memory: Minimum 512MB; recommended 1GB
- Available disk space: Min 600MB (1.5GB 64-bit); recommended 1GB (2GB 64-bit)
- Network access during installation if the .NET framework is not currently installed on the system

**Board Contents**

The 8V9705x evaluation board contains the following:

- 8V9705x Evaluation Board
- USB Cable

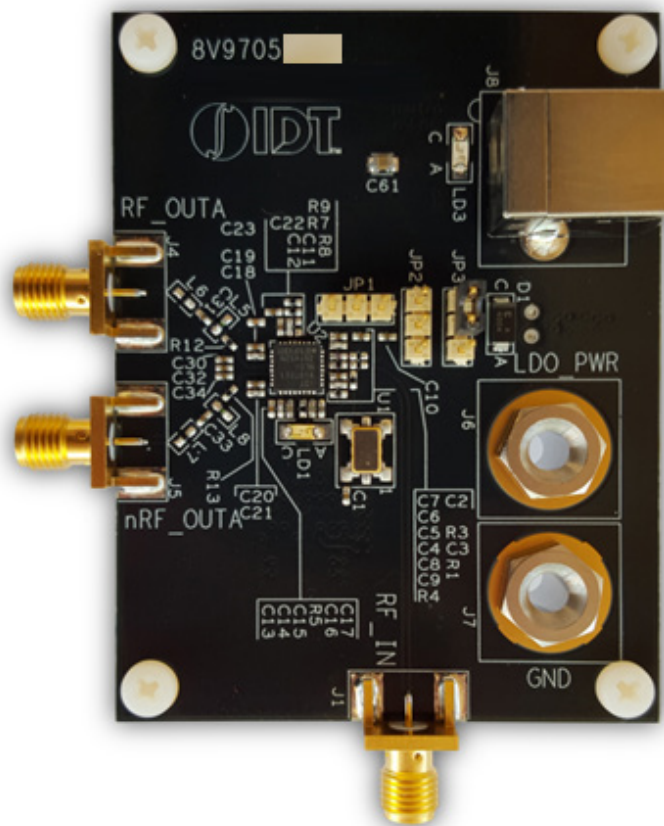


Figure 1. Block Diagram or Labeled Board Image

## Contents

<b>1. Functional Description</b> .....	<b>3</b>
1.1 Setup and Configuration.....	3
<b>2. Board Design</b> .....	<b>4</b>
2.1 Powering from an External Supply .....	6
2.2 External Signal Reference Configuration .....	6
2.3 DC Controls .....	7
2.4 Schematic Diagrams.....	7
<b>3. Ordering Information</b> .....	<b>11</b>
<b>4. Revision History</b> .....	<b>11</b>

## Figures

Figure 1. Block Diagram or Labeled Board Image .....	1
Figure 2. 8V9750x Evaluation Board – Top View.....	4
Figure 3. 8V9750x Evaluation Board – Bottom View .....	5
Figure 4. External Power Configuration.....	6
Figure 5. External Signal Reference Configuration .....	6
Figure 6. Input Schematic.....	7
Figure 7. Output Termination Schematic.....	7
Figure 8. Loop Filter Schematic.....	8
Figure 9. Power Source Selection Schematic .....	8
Figure 10. LDO Power Schematic .....	9
Figure 11. I2C-to-SPI Translation Schematic.....	9
Figure 12. 8V9705x DUT Schematic .....	10

# 1. Functional Description

## 1.1 Setup and Configuration

The board ships with a 25MHz TXCO and is configured to power from the USB. No external reference is required and no external power source, aside from the USB connection, is required. Outputs are disabled by default. The device must be configured using Timing Commander in order to activate the output.

The 8V97052 can also accept an external RF input reference. As a result, there are three pins that are defined differently in the 8V97052 from the rest of 8V9705x devices. The following table summarizes the differences.

**Table 1. Functions of Pin 14, 15, and 16 in 8V97052 and Other 8V9705x Devices**

Pins	14	15	16
8V9705x (except 8V97052)	RF_OUTB	nRF_OUTB	REF_IN
8V97052	Vvco	RF_IN	nRF_IN

The 8V9705x evaluation board supports an on-board VCO device (U9) that provides a RF input reference (2.4-2.5GHz) to Pin 16 of the 8V97052. Other 8V9705x variants have the second RF outputs (RF\_OUTB/nRF\_OUTB) that is not routed out on the evaluation board.

## 2. Board Design

The following diagram identifies the power supply jacks, USB connector, input and output SMA connectors, TCXO, etc., on the evaluation board.

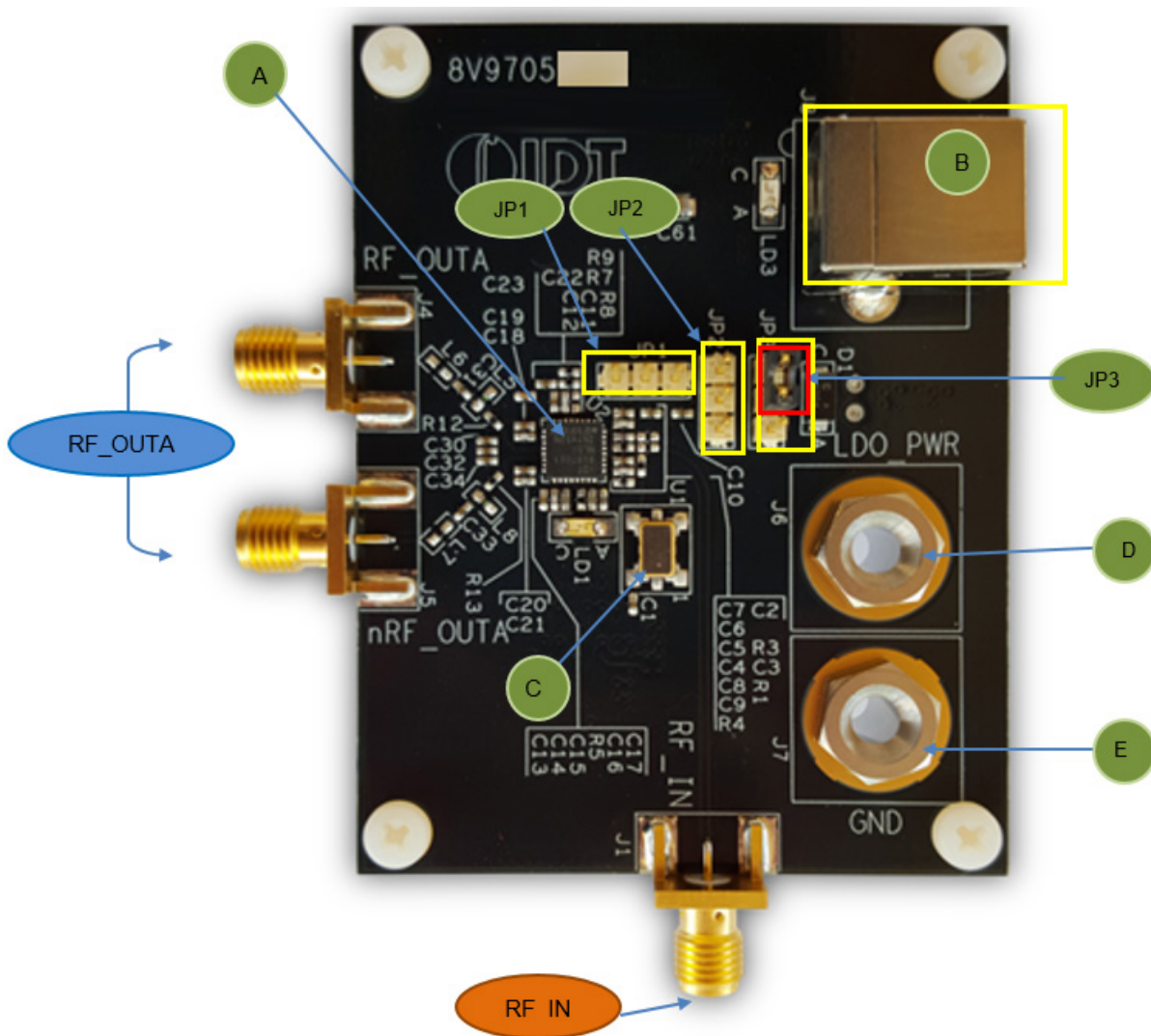


Figure 2. 8V9750x Evaluation Board – Top View

### Legend

- Inputs – RF\_IN: Reference input (the board requires re-work to enable this option.)
- Outputs – RF\_OUTA: Open-drain, ac-coupled output.
- Other:
  - A – 8V9705x - the device to be evaluated
  - B – USB connector (also powers the board)
  - C – 25MHz TXCO (default reference source)
  - D – External LDO\_POWER (alternate power source)
  - E – GND
  - JP1 – MUTE control (can be left floating)
  - JP2 – CE control (can be left floating)
  - JP3 – Power Source selector (USB vs LDO\_PWR power source)

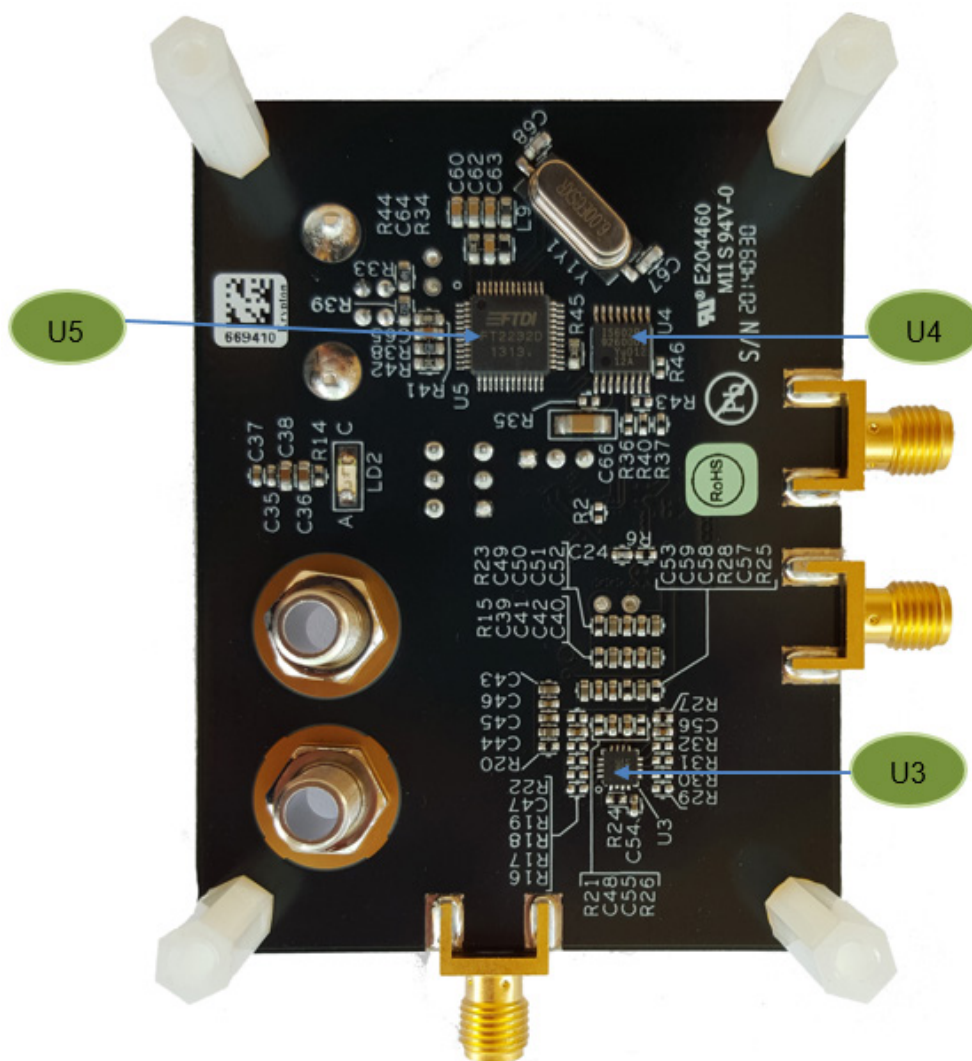


Figure 3. 8V9705x Evaluation Board – Bottom View

**Legend**

- U5 – FTDI USB-to-I2C chip
- U4 – USB-to-SPI translator
- U3 – LDO

## 2.1 Powering from an External Supply

The evaluation board is by default configured to power through the USB (see JP3 jumper position in Figure 4). To power the device from an external supply:

1. Set JP3 to the position shown in Figure 9.
2. Connect an external 4V supply to LDO\_PWR (J6).
3. Connect the external supply Ground to GND (J7).

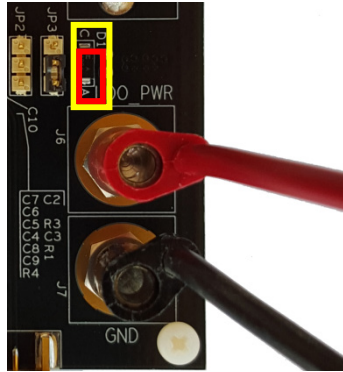


Figure 4. External Power Configuration

## 2.2 External Signal Reference Configuration

An on-board 25MHz TXCO provides the default source for RF\_IN. In order to evaluate the device using an external signal reference, complete the following changes:

1. Remove R20. This powers down the TXCO.
2. Remove R1. This disconnects the TXCO from the input path.
3. If the external signal can be ac-coupled, then populate C3 = 0.1uF. For dc termination to ground, C3 = 0ohm.
4. Populate R3 = 50ohm. This provides a termination for the input signal.
5. Replace C4 = 0.1uF. The input is ac-coupled into the device, which provides its own internal re-bias.
6. Connect the external signal reference to J1 using a 50ohm cable.

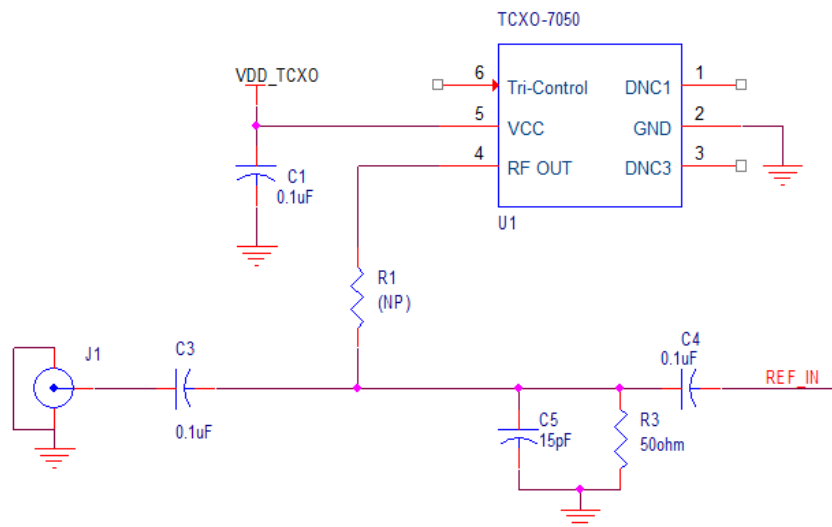


Figure 5. External Signal Reference Configuration

## 2.3 DC Controls

- JP1 – MUTE control: RF\_OUTA and RF\_OUTB Power-Down. A logic low on this pin mutes the RF\_OUT outputs and puts them in high-impedance. This function is also SPI controllable and in this case also allows the power down of either RF\_OUTA or RF\_OUTB. This jumper can be left floating for normal operation.
- JP2 – Chip Enable: Powers down the device on logic Low, with charge pump put into a High-Impedance mode. Powers up the device on logic High. This jumper can be left floating for normal operation.

## 2.4 Schematic Diagrams

The following figures are schematics that are applicable to specific sections of this manual. The complete schematics are available in a separate document.

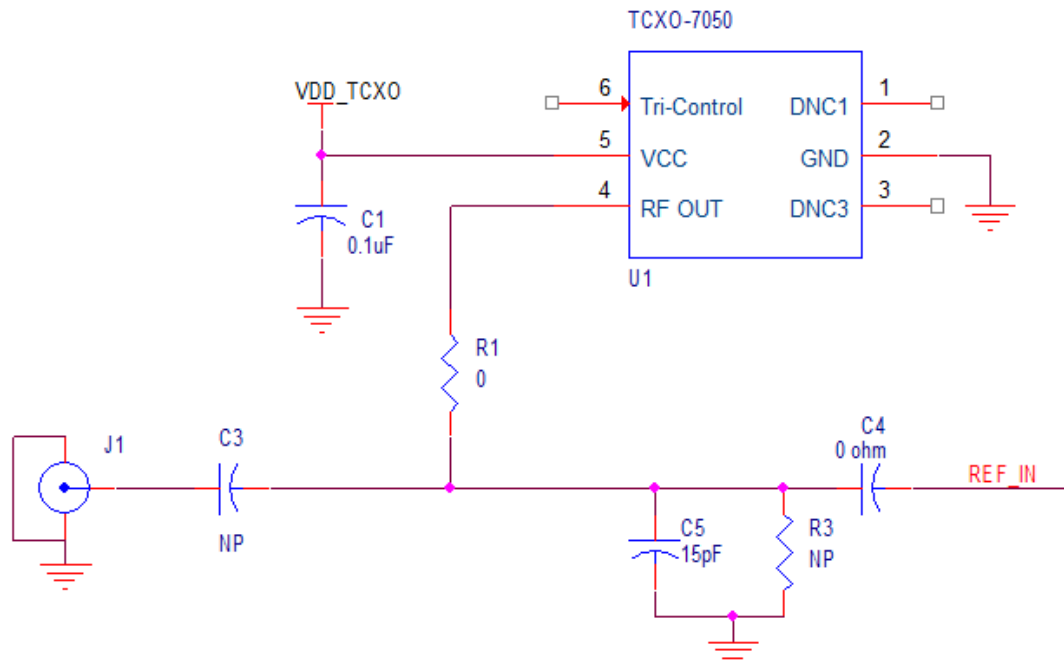


Figure 6. Input Schematic

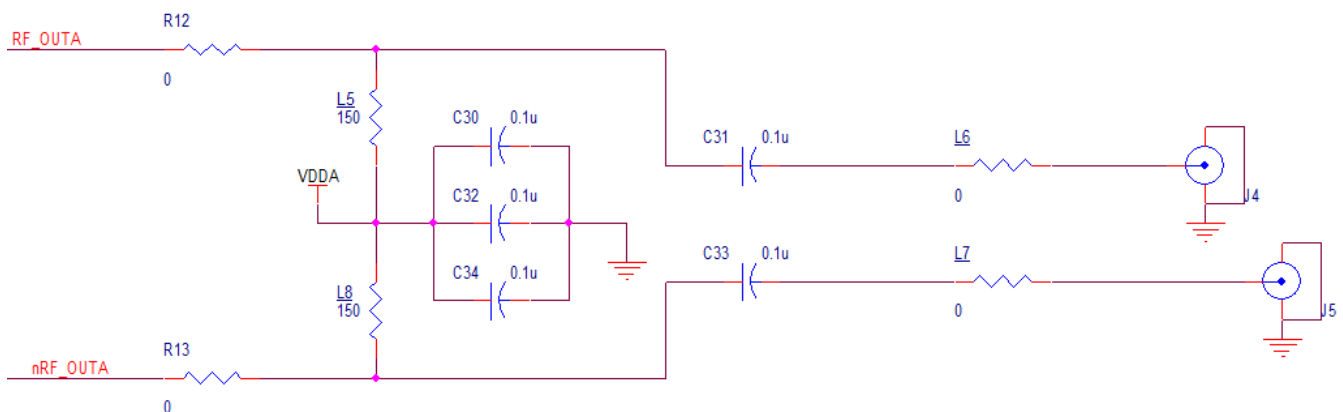


Figure 7. Output Termination Schematic

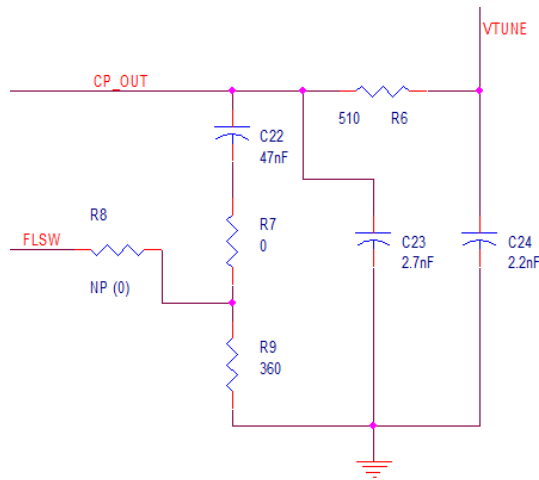


Figure 8. Loop Filter Schematic

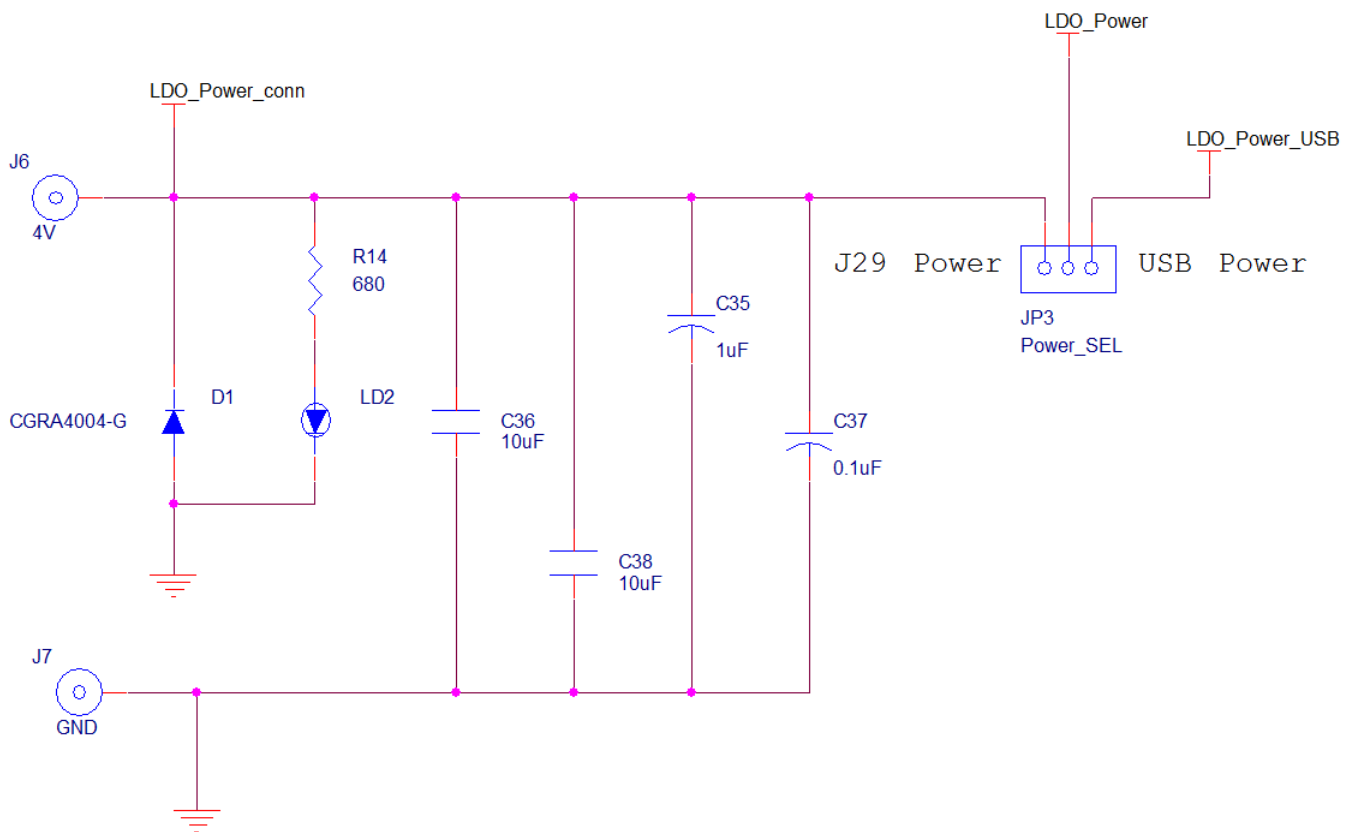
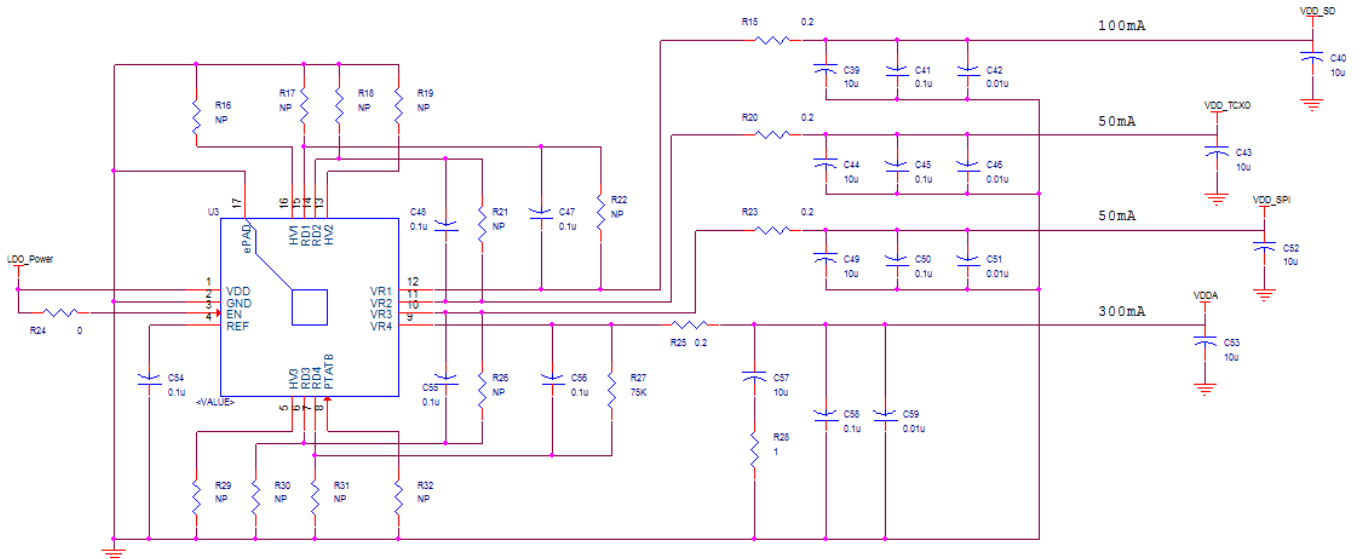


Figure 9. Power Source Selection Schematic





VDDA = V\_CP, VDDA, V\_VCO, VDDD  
 VDD\_SPI = Translator, I2C PU, SPI PU

Figure 10. LDO Power Schematic

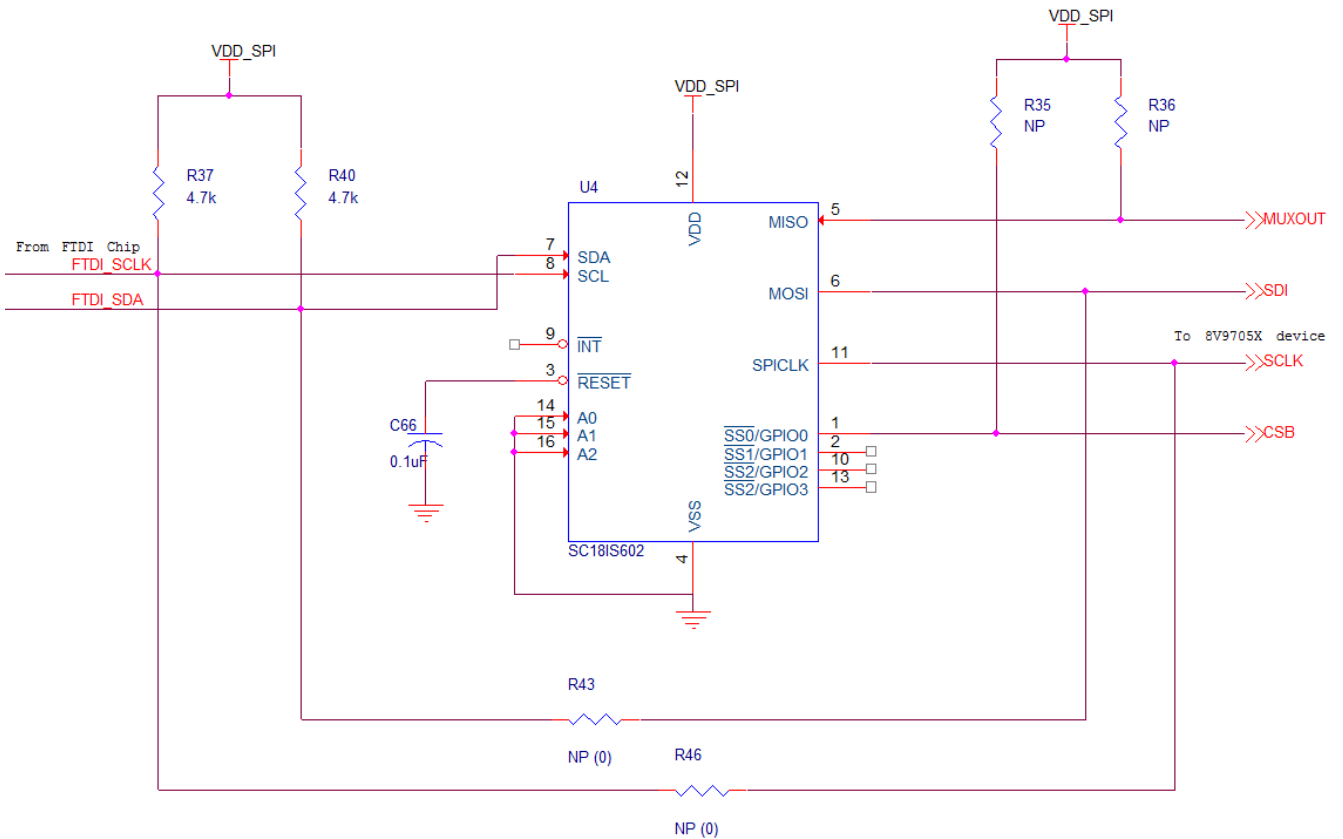


Figure 11. I2C-to-SPI Translation Schematic

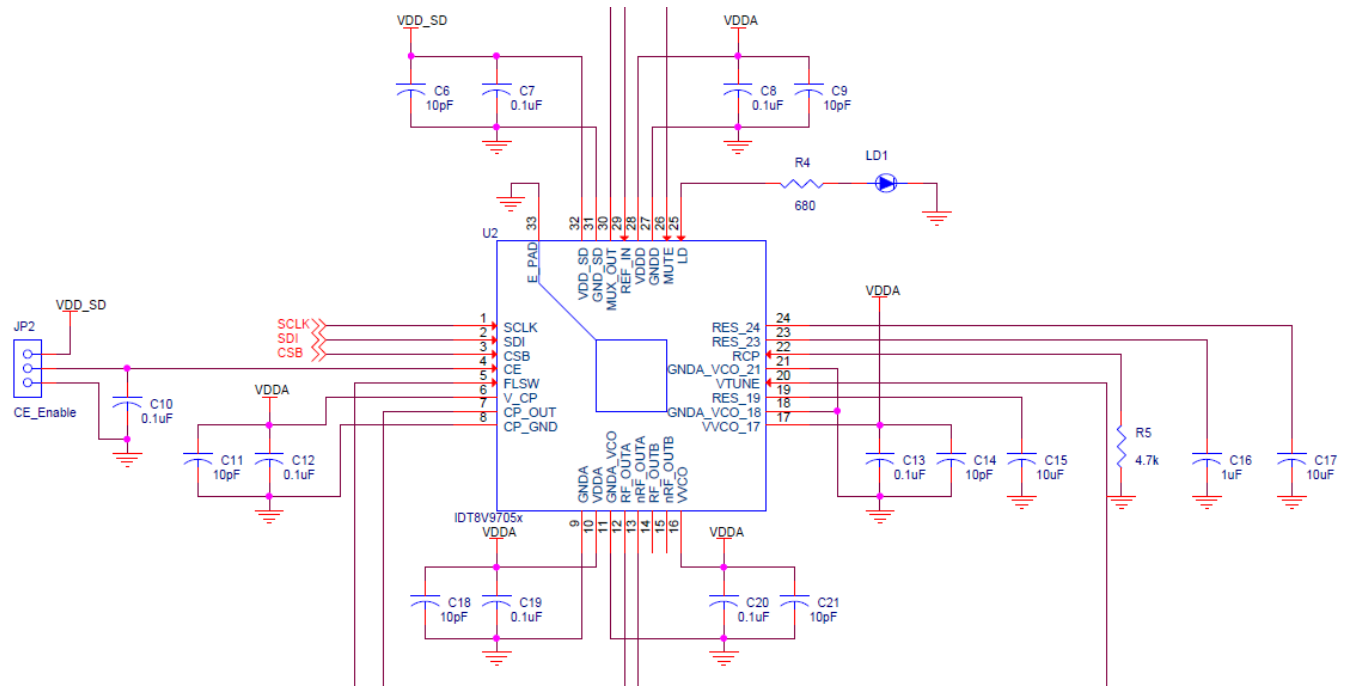


Figure 12. 8V9705x DUT Schematic

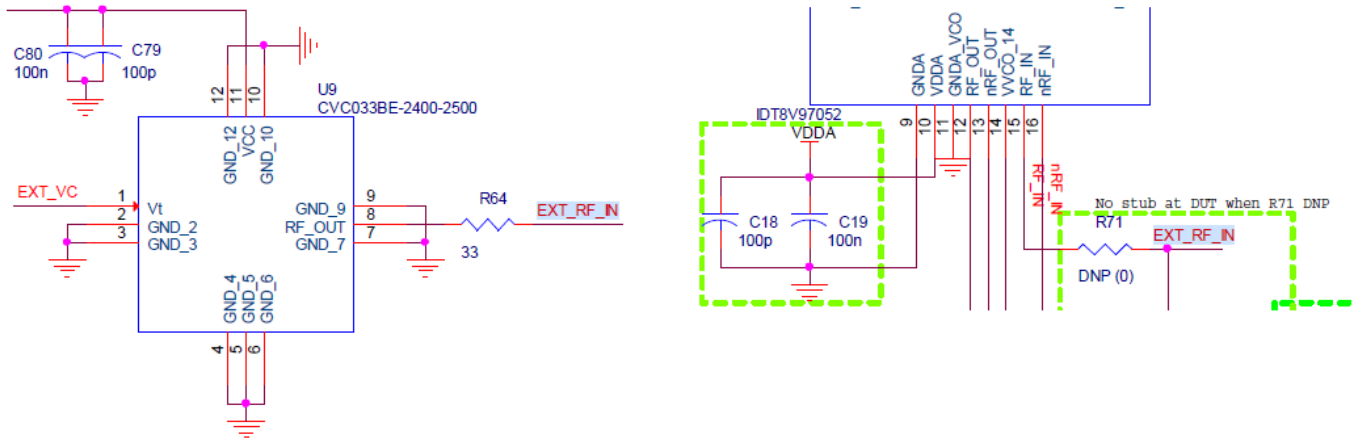


Figure 10. 8V97052 External RF Input Reference

### 3. Ordering Information

Part Number	Description
8V97052-EVK	8V9705x Evaluation Board

### 4. Revision History

Revision	Date	Description
1.0	May 20, 2021	Initial release.