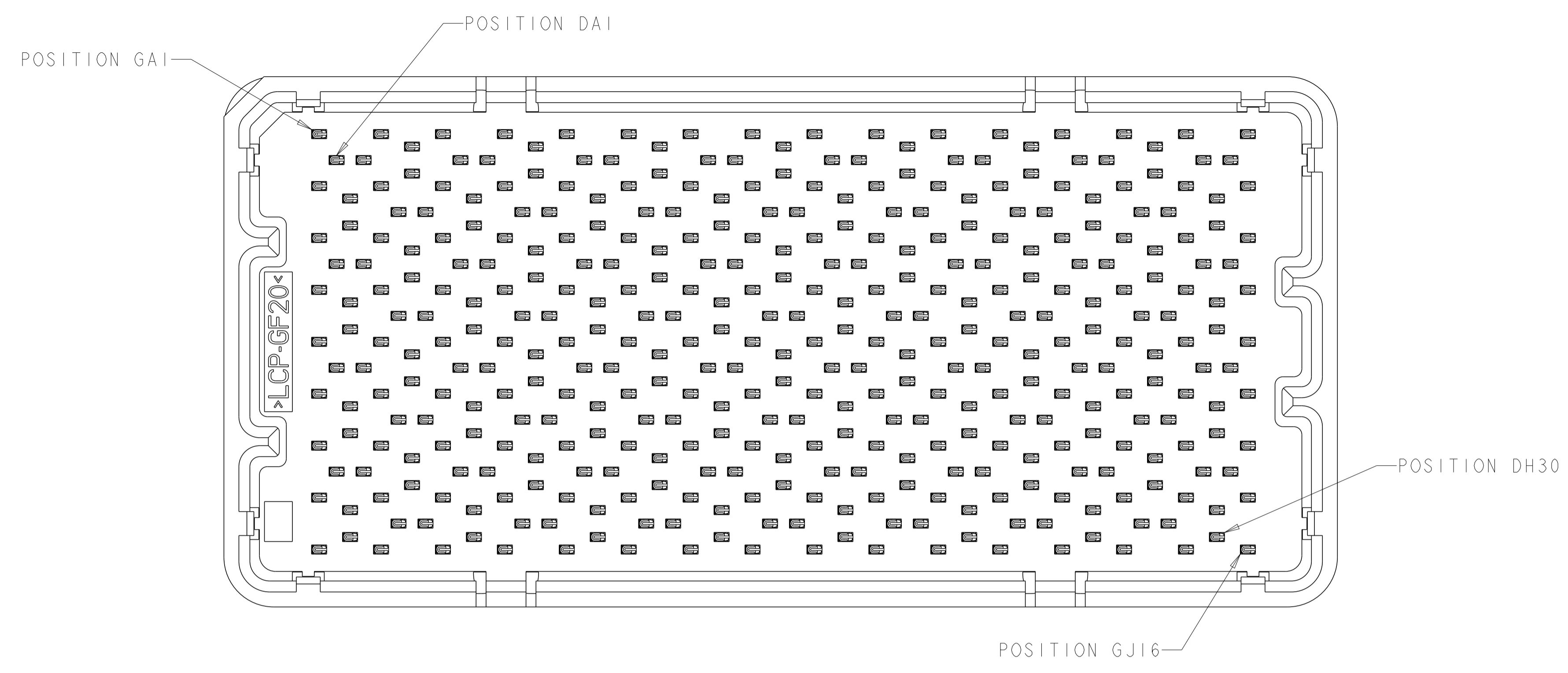
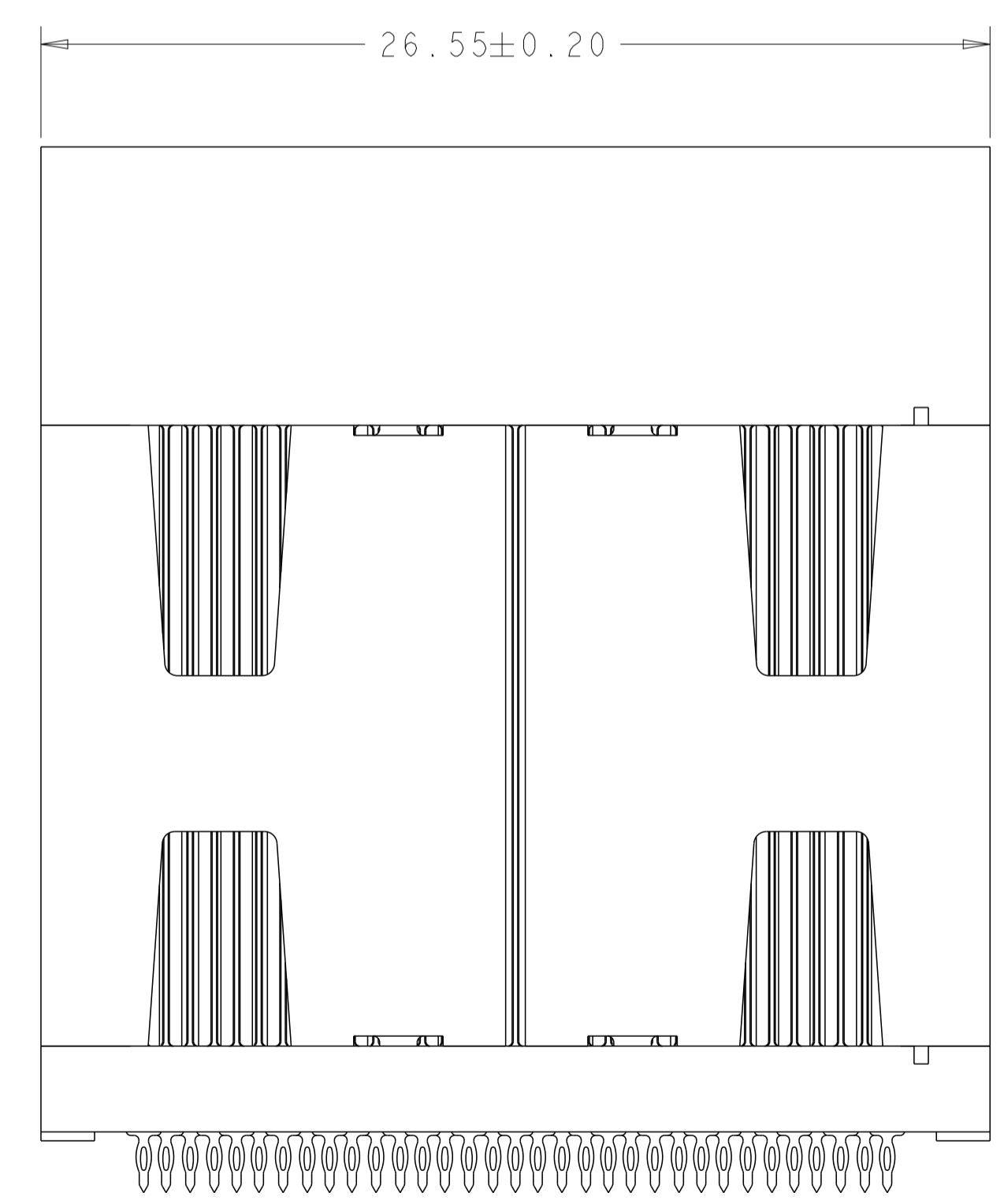
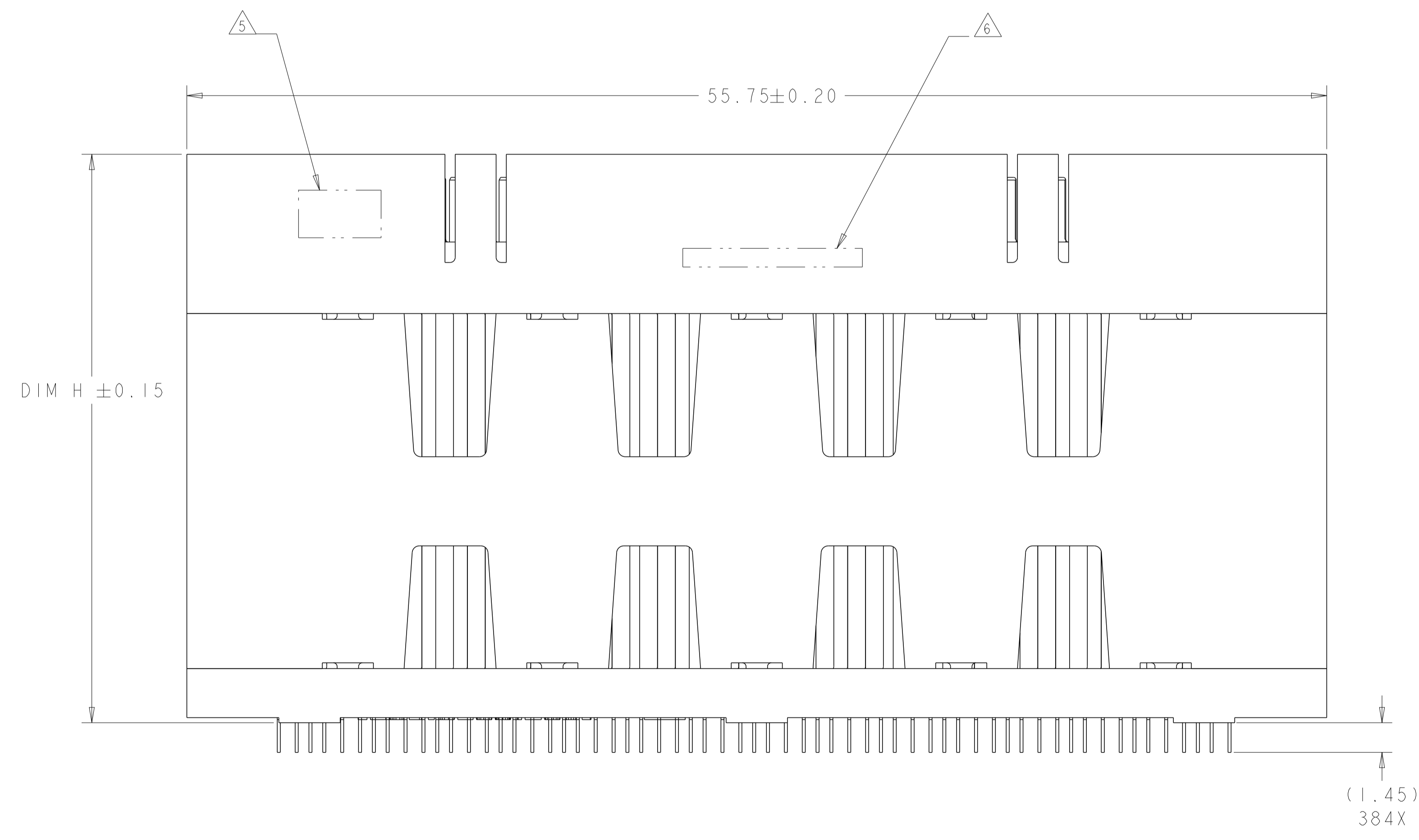


LOC	DIST	REVISIONS					
GP	00	P	LTN	DESCRIPTION	DATE	DWN	APVD
		A		REVISED PER ECO-12-018201	17OCT2012	KH	MH



- △ MATERIAL:  
BASE HOUSING, UPPER HOUSING, ORGANIZER,  
AND SPACER: THERMOPLASTIC, FLAMMABILITY  
RATING UL94-V0  
CONTACT: COPPER ALLOY
- 2. CONFORMS TO THE REQUIREMENTS OF TE PRODUCT  
SPECIFICATION, 108-2375; BASED ON TELCORDIA  
GR-1217-CORE FOR SYSTEM QUALITY LEVEL III,  
APPLICATIONS IN CONTROLLED ENVIRONMENTS  
(CENTRAL OFFICE).  
SEE TE PRODUCT SPECIFICATION 108-2375 FOR  
TEST SEQUENCES.
- △ ROWS GA THRU GJ (SHOWN DARKENED) ARE TYPICALLY  
USED AS GROUNDS.
- △ SPECIFIED POSITIONAL TOLERANCE DEFINES HOLE TO  
HOLE LOCATION WITHIN HOLE PATTERN. POSITIONAL  
TOLERANCE OF HOLE PATTERN TO FIDUCIAL MARKS  
OR PCB DATUMS SHALL BE DEFINED BY CUSTOMER.
- △ AREA RESERVED FOR TE CONNECTIVITY LOGO.
- △ AREA RESERVED FOR PART NUMBER (X-XXXXXXX-X)  
AND DATE CODE (YYWW).
- △ USE CENTERLINES INDICATED ON PCB HOLE PATTERN  
TO ESTABLISH ALIGNMENT BETWEEN HEADER AND  
RECEPTACLE BOARDS.
- △ PLATED THROUGH HOLE REQUIREMENTS:  
HOLE SIZE PRIOR TO PLATING =  $\varnothing 0.420 \pm 0.013$   
COPPER PLATING THICKNESS =  $0.038 \pm 0.013$   
CALCULATED FINISHED HOLE SIZE =  $\varnothing 0.344 \pm 0.039$   
THESE DIMENSIONS APPLY TO THE TOP 1.25mm OF  
THE PCB THICKNESS FROM THE CONNECTOR MOUNTING  
SIDE.
- △ CONTACT SALES FOR AVAILABILITY OF THIS STACK  
HEIGHT.

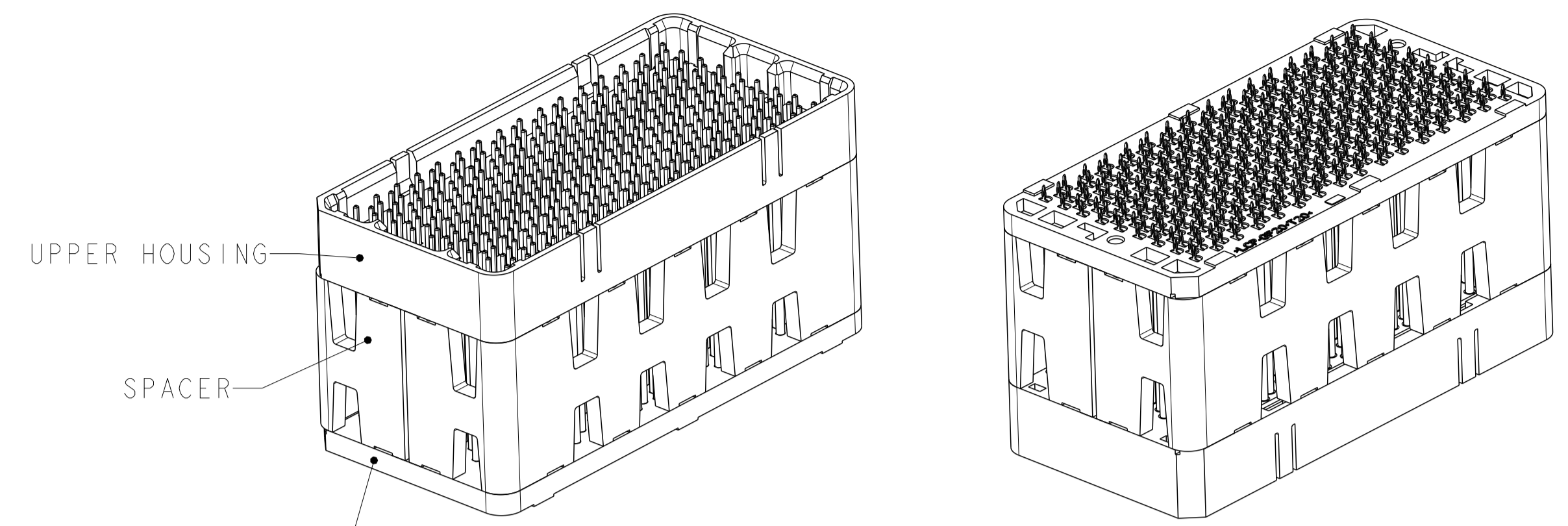


**SIZE 3 HOUSING \***  
**120 DIFFERENTIAL PAIRS**  
**384 TOTAL SIGNAL CONTACTS**

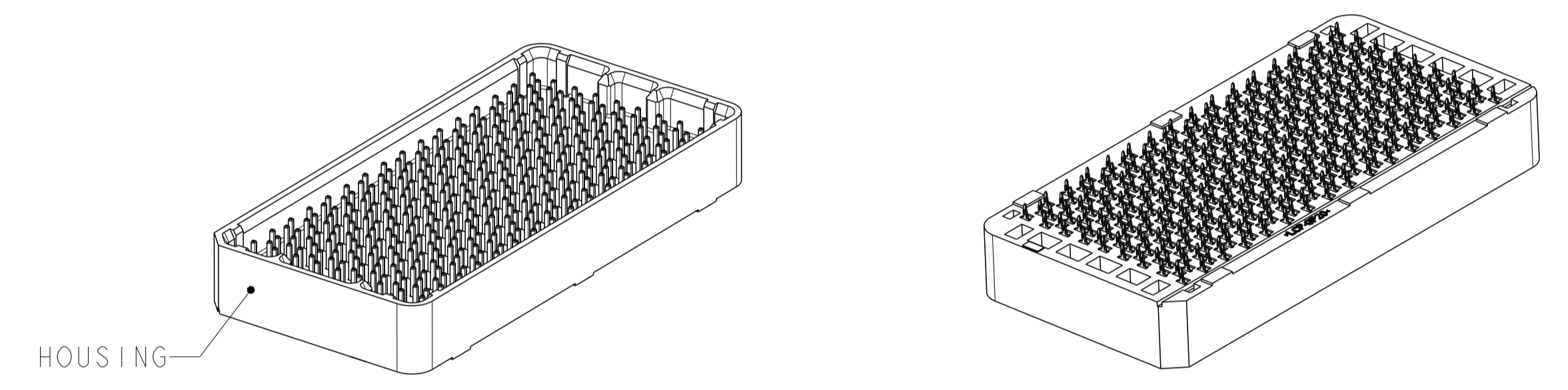
\* SIZE 1 AND SIZE 2 ARE ALSO AVAILABLE

THIS DRAWING IS A CONTROLLED DOCUMENT.		DWN D. RINGLER 26FEB2009	TE Connectivity																			
DIMENSIONS:		CHK D. TROUT 26FEB2009																				
mm	TOLERANCES UNLESS OTHERWISE SPECIFIED:	APVD J. FEEDER 26FEB2009	NAME HEADER ASSEMBLY 120/384 SIGNAL STRADA MESA MEZZANINE CONNECTOR																			
<table border="1"> <tr> <td>0 PLC</td> <td>±</td> </tr> <tr> <td>2 PLC</td> <td>±0.13</td> </tr> <tr> <td>3 PLC</td> <td>±0.013</td> </tr> <tr> <td>4 PLC</td> <td>±</td> </tr> <tr> <td>ANGLES</td> <td>±1</td> </tr> <tr> <td>FINISH</td> <td></td> </tr> </table>	0 PLC	±	2 PLC	±0.13	3 PLC	±0.013	4 PLC	±	ANGLES	±1	FINISH		<table border="1"> <tr> <td>PRODUCT SPEC</td> <td>108-2375</td> </tr> <tr> <td>APPLICATION SPEC</td> <td>114-13249</td> </tr> <tr> <td>WEIGHT</td> <td></td> </tr> </table>	PRODUCT SPEC	108-2375	APPLICATION SPEC	114-13249	WEIGHT		SIZE A1	CAGE CODE 00779	DRAWING NO. C=2110400
0 PLC	±																					
2 PLC	±0.13																					
3 PLC	±0.013																					
4 PLC	±																					
ANGLES	±1																					
FINISH																						
PRODUCT SPEC	108-2375																					
APPLICATION SPEC	114-13249																					
WEIGHT																						
MATERIAL		CUSTOMER DRAWING		RESTRICTED TO																		
		SCALE 6:1		SHEET 1 OF 4 REV A																		

LOC	DIST	REVISIONS					
GP	00	P	LYN	DESCRIPTION	DATE	OWN	APVD
		-		SEE SHEET 1			



ISOMETRIC VIEW  
 TYPICAL CONFIGURATION FOR 14mm THRU 42mm  
 28mm SHOWN  
 SCALE 2:1



ISOMETRIC VIEW  
 TYPICAL CONFIGURATION FOR 8mm THRU 13mm  
 8mm SHOWN  
 SCALE 2:1

△	41.8	42mm	MATTE Sn	9-2110400-2
△	40.8	41mm	MATTE Sn	9-2110400-1
YES	39.8	40mm	MATTE Sn	9-2110400-0
△	38.8	39mm	MATTE Sn	8-2110400-9
△	37.8	38mm	MATTE Sn	8-2110400-8
△	36.8	37mm	MATTE Sn	8-2110400-7
△	35.8	36mm	MATTE Sn	8-2110400-6
△	34.8	35mm	MATTE Sn	8-2110400-5
△	33.8	34mm	MATTE Sn	8-2110400-4
△	32.8	33mm	MATTE Sn	8-2110400-3
△	31.8	32mm	MATTE Sn	8-2110400-2
△	30.8	31mm	MATTE Sn	8-2110400-1
△	29.8	30mm	MATTE Sn	8-2110400-0
△	28.8	29mm	MATTE Sn	7-2110400-9
YES	27.8	28mm	MATTE Sn	7-2110400-8
△	26.8	27mm	MATTE Sn	7-2110400-7
△	25.8	26mm	MATTE Sn	7-2110400-6
△	24.8	25mm	MATTE Sn	7-2110400-5
△	23.8	24mm	MATTE Sn	7-2110400-4
YES	22.8	23mm	MATTE Sn	7-2110400-3
△	21.8	22mm	MATTE Sn	7-2110400-2
△	20.8	21mm	MATTE Sn	7-2110400-1
△	19.8	20mm	MATTE Sn	7-2110400-0
△	18.8	19mm	MATTE Sn	6-2110400-9
△	17.8	18mm	MATTE Sn	6-2110400-8
△	16.8	17mm	MATTE Sn	6-2110400-7
△	15.8	16mm	MATTE Sn	6-2110400-6
△	14.8	15mm	MATTE Sn	6-2110400-5
△	13.8	14mm	MATTE Sn	6-2110400-4
△	12.8	13mm	MATTE Sn	6-2110400-3
△	11.8	12mm	MATTE Sn	6-2110400-2
△	10.8	11mm	MATTE Sn	6-2110400-1
YES	9.8	10mm	MATTE Sn	6-2110400-0
△	8.8	9mm	MATTE Sn	5-2110400-9
△	7.8	8mm	MATTE Sn	5-2110400-8
TOOLED	DIM H	STACK HEIGHT	CONTACT TAIL PLATING	PART NUMBER

△	41.8	42mm	Sn/Pb	4-2110400-2
△	40.8	41mm	Sn/Pb	4-2110400-1
YES	39.8	40mm	Sn/Pb	4-2110400-0
△	38.8	39mm	Sn/Pb	3-2110400-9
△	37.8	38mm	Sn/Pb	3-2110400-8
△	36.8	37mm	Sn/Pb	3-2110400-7
△	35.8	36mm	Sn/Pb	3-2110400-6
△	34.8	35mm	Sn/Pb	3-2110400-5
△	33.8	34mm	Sn/Pb	3-2110400-4
△	32.8	33mm	Sn/Pb	3-2110400-3
△	31.8	32mm	Sn/Pb	3-2110400-2
△	30.8	31mm	Sn/Pb	3-2110400-1
△	29.8	30mm	Sn/Pb	3-2110400-0
△	28.8	29mm	Sn/Pb	2-2110400-9
YES	27.8	28mm	Sn/Pb	2-2110400-8
△	26.8	27mm	Sn/Pb	2-2110400-7
△	25.8	26mm	Sn/Pb	2-2110400-6
△	24.8	25mm	Sn/Pb	2-2110400-5
△	23.8	24mm	Sn/Pb	2-2110400-4
YES	22.8	23mm	Sn/Pb	2-2110400-3
△	21.8	22mm	Sn/Pb	2-2110400-2
△	20.8	21mm	Sn/Pb	2-2110400-1
△	19.8	20mm	Sn/Pb	2-2110400-0
△	18.8	19mm	Sn/Pb	1-2110400-9
△	17.8	18mm	Sn/Pb	1-2110400-8
△	16.8	17mm	Sn/Pb	1-2110400-7
△	15.8	16mm	Sn/Pb	1-2110400-6
△	14.8	15mm	Sn/Pb	1-2110400-5
△	13.8	14mm	Sn/Pb	1-2110400-4
△	12.8	13mm	Sn/Pb	1-2110400-3
△	11.8	12mm	Sn/Pb	1-2110400-2
△	10.8	11mm	Sn/Pb	1-2110400-1
YES	9.8	10mm	Sn/Pb	1-2110400-0
△	8.8	9mm	Sn/Pb	2110400-9
△	7.8	8mm	Sn/Pb	2110400-8
TOOLED	DIM H	STACK HEIGHT	CONTACT TAIL PLATING	PART NUMBER

THIS DRAWING IS A CONTROLLED DOCUMENT. DWG: D. RINGLER 26FEB2009  
 CHK: D. TROUT 26FEB2009  
 APVD: J. FEEDER 26FEB2009

**STE** TE Connectivity

NAME: HEADER ASSEMBLY  
 120/384 SIGNAL  
 STRADA MESA MEZZANINE CONNECTOR

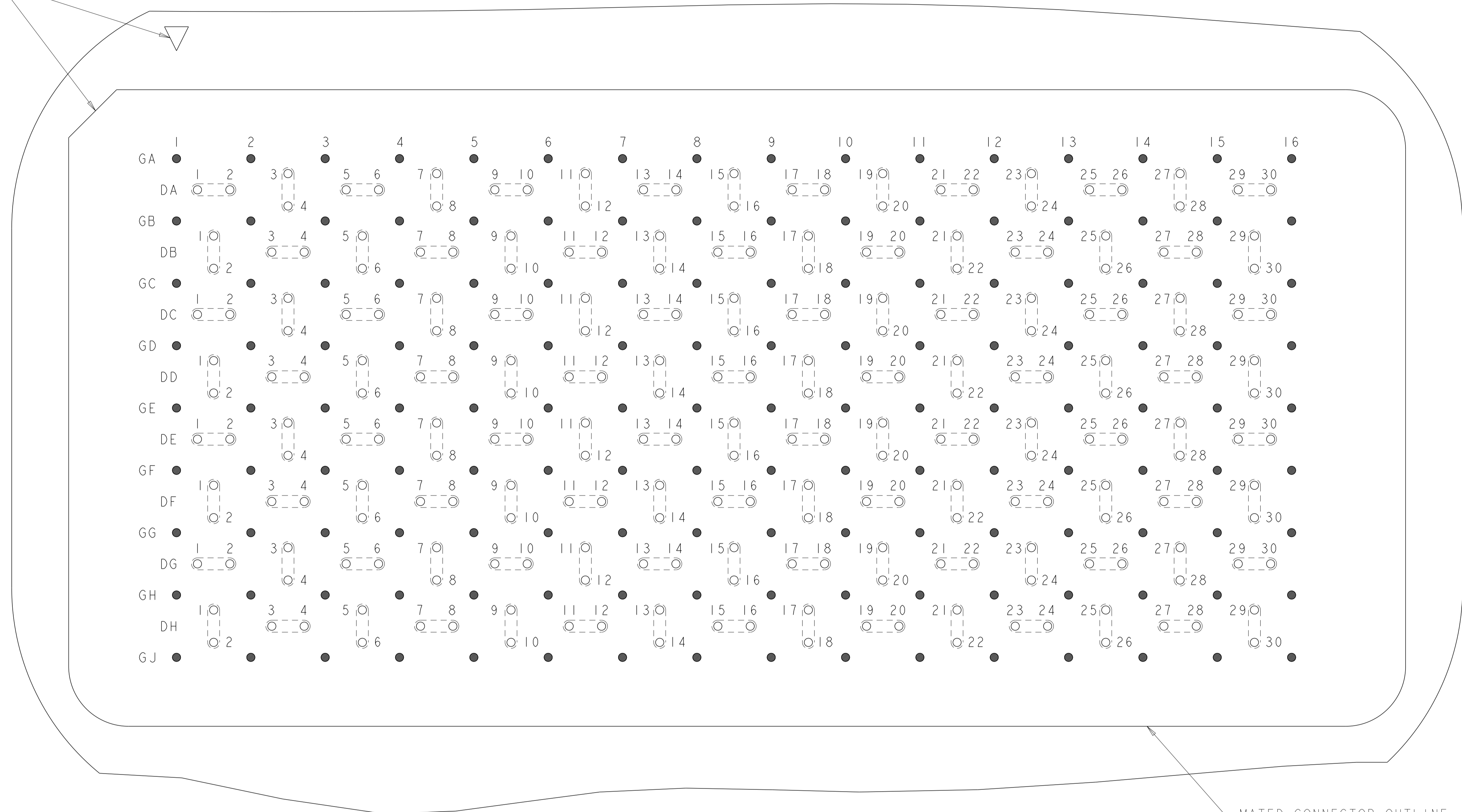
PRODUCT SPEC: 108-2375  
 APPLICATION SPEC: 114-13249

SIZE: A1 CAGE CODE: 2110400 DRAWING NO: 100779  
 WEIGHT: -  
 CUSTOMER DRAWING

RESTRICTED TO: -  
 SCALE: 6:1 SHEET 2 OF 4 REV A


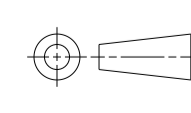
LOC		DIST		REVISIONS				
P	LYR	DESCRIPTION	DATE	OWN	APVD			
-	-	SEE SHEET 1	-	-	-			

A1 CORNER INDICATORS.



MATED CONNECTOR OUTLINE  
 SEE SHEET 4 FOR LOCATION TO HOLES

**PCB LAYOUT AND PIN IDENTIFICATION**   
 SHOWN FROM CONNECTOR SIDE  
 SCALE 10:1

THIS DRAWING IS A CONTROLLED DOCUMENT.		OWN D. RINGLER 26FEB2009	 TE Connectivity
DIMENSIONS:		CHK D. TROUT 26FEB2009	
mm	TOLERANCES UNLESS OTHERWISE SPECIFIED:	APVD J. FEEDER 26FEB2009	NAME HEADER ASSEMBLY
	0 PLC ± 2 PLC ±0.13 3 PLC ±0.013 4 PLC ± ANGLES ±1	PRODUCT SPEC 108-2375	120/384 SIGNAL
MATERIAL	FINISH	APPLICATION SPEC 114-13249	STRADA MESA MEZZANINE CONNECTOR
		WEIGHT	SIZE CAGE CODE DRAWING NO RESTRICTED TO A100779C=2110400
		CUSTOMER DRAWING	SCALE 6:1 SHEET 3 OF 4 REV A