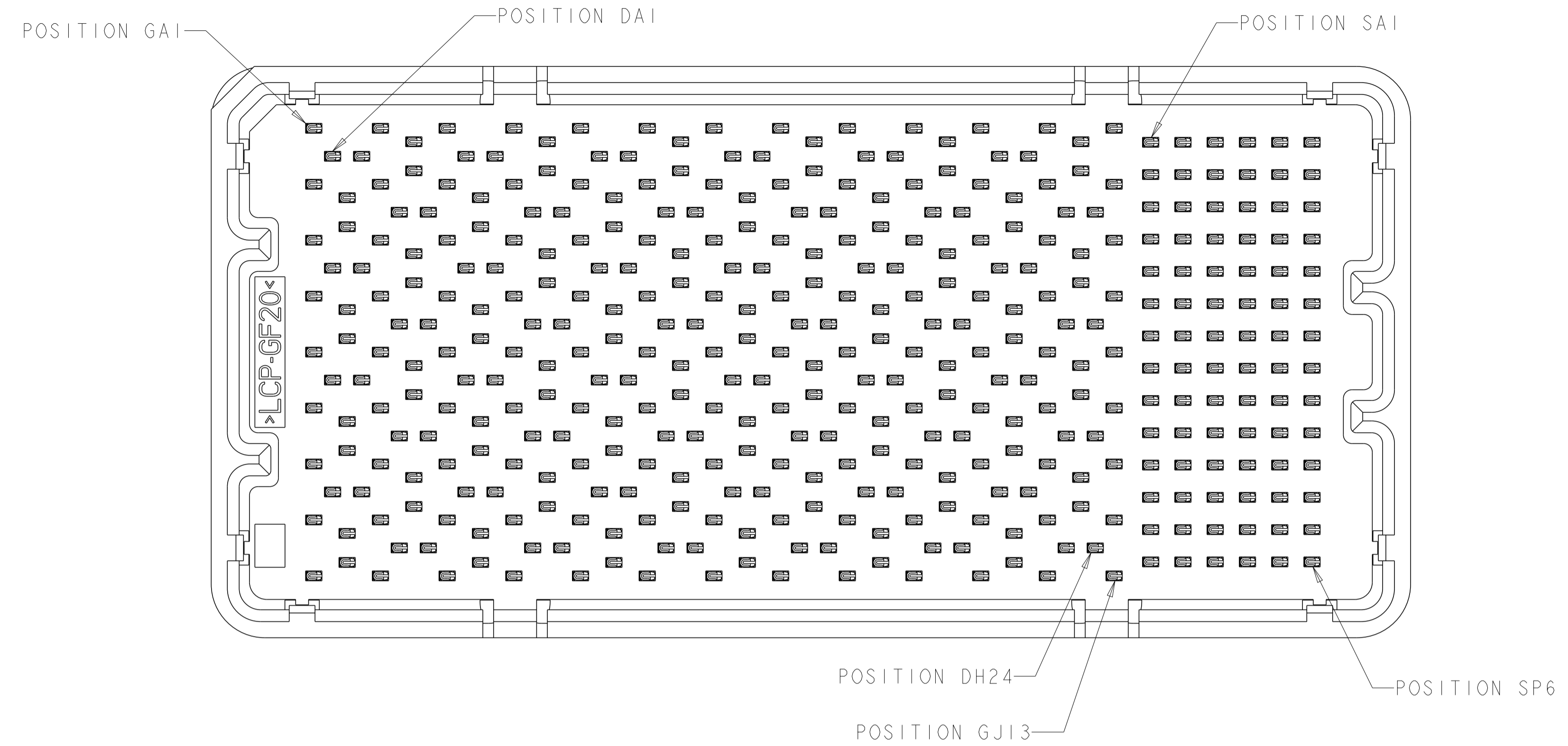
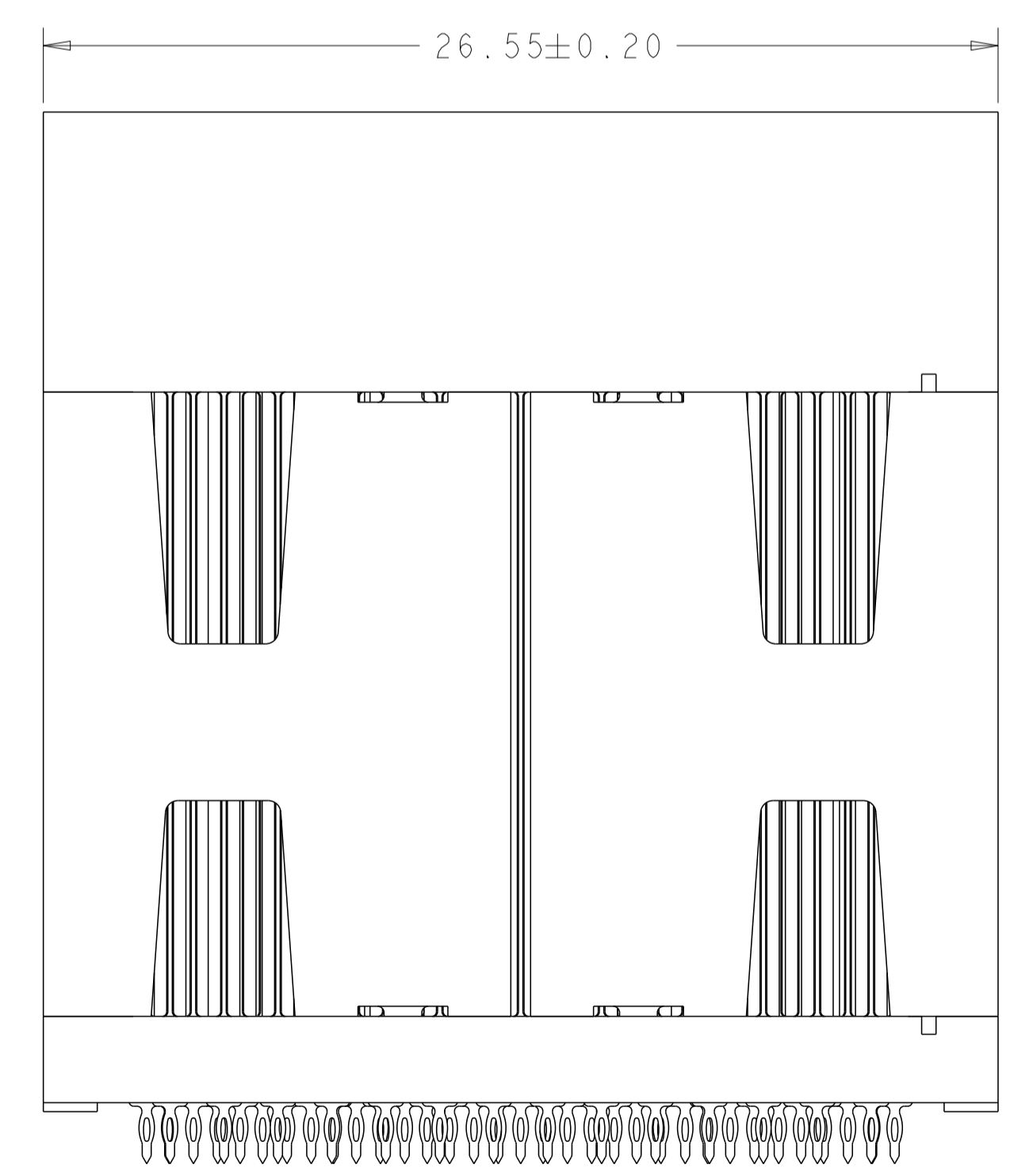
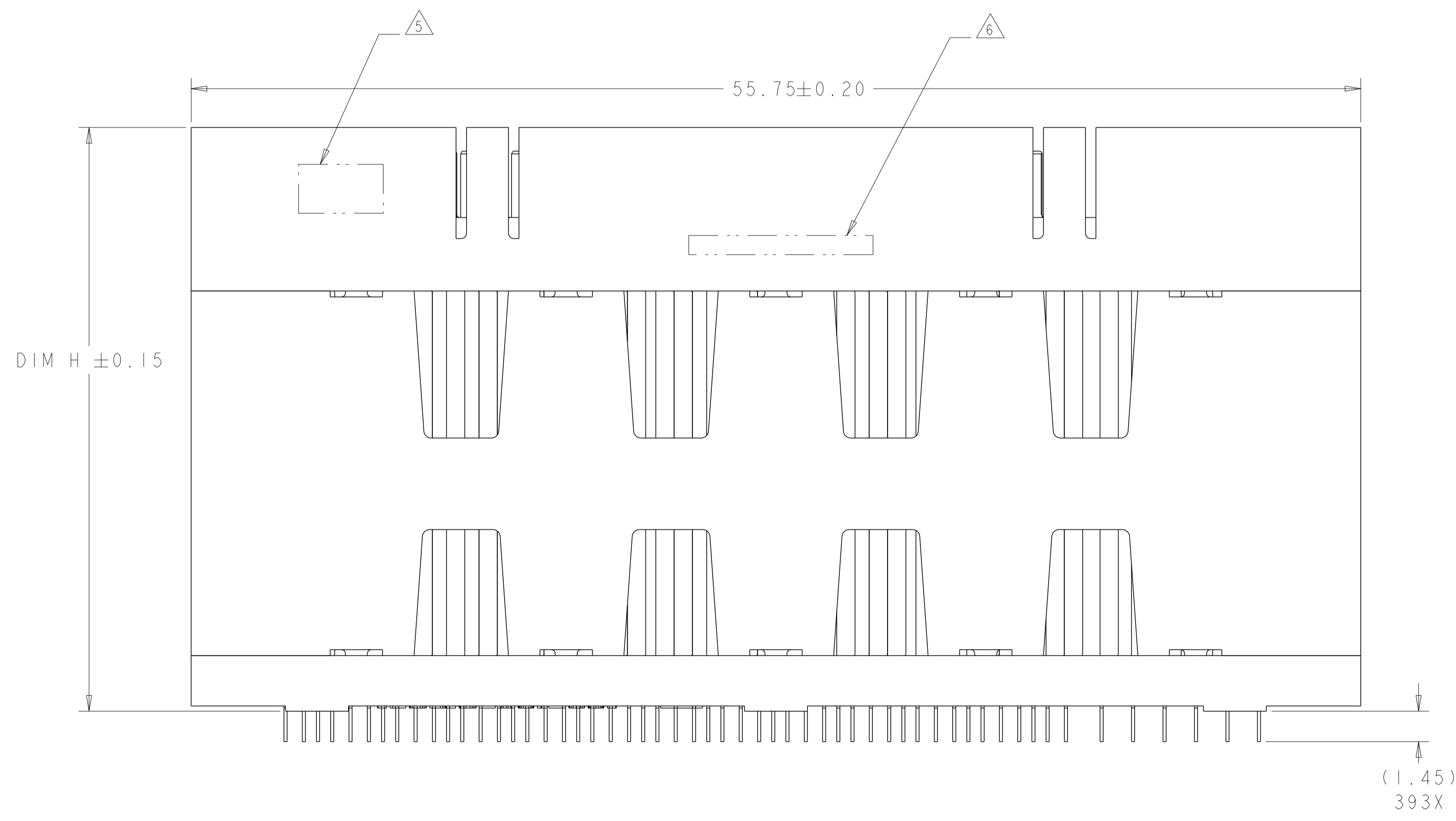


LOC	DIST	REVISIONS					
GP	00	P	LTN	DESCRIPTION	DATE	DWN	APVD
		A		REVISED PER ECO-12-018201	11OCT2012	KH	MH



- 1 MATERIAL:  
 BASE HOUSING, UPPER HOUSING, ORGANIZER,  
 AND SPACER: THERMOPLASTIC, FLAMMABILITY  
 RATING UL94-V0  
 CONTACT: COPPER ALLOY
- 2. CONFORMS TO THE REQUIREMENTS OF TE PRODUCT  
 SPECIFICATION, 108-2375; BASED ON TELCORDIA  
 GR-1217-CORE FOR SYSTEM QUALITY LEVEL 111,  
 APPLICATIONS IN CONTROLLED ENVIRONMENTS  
 (CENTRAL OFFICE).  
 SEE TE PRODUCT SPECIFICATION 108-2375 FOR  
 TEST SEQUENCES.
- 3 ROWS GA THRU GJ (SHOWN DARKENED) ARE TYPICALLY  
 USED AS GROUNDS.
- 4 SPECIFIED POSITIONAL TOLERANCE DEFINES HOLE TO  
 HOLE LOCATION WITHIN HOLE PATTERN. POSITIONAL  
 TOLERANCE OF HOLE PATTERN TO FIDUCIAL MARKS  
 OR PCB DATUMS SHALL BE DEFINED BY CUSTOMER.
- 5 AREA RESERVED FOR TE CONNECTIVITY LOGO.
- 6 AREA RESERVED FOR PART NUMBER (X-XXXXXX-X)  
 AND DATE CODE (YYWW).
- 7 USE CENTERLINES INDICATED ON PCB HOLE PATTERN  
 TO ESTABLISH ALIGNMENT BETWEEN HEADER AND  
 RECEPTACLE BOARDS.
- 8 PLATED THROUGH HOLE REQUIREMENTS:  
 HOLE SIZE PRIOR TO PLATING =  $\varnothing 0.420 \pm 0.013$   
 COPPER PLATING THICKNESS =  $0.038 \pm 0.013$   
 CALCULATED FINISHED HOLE SIZE =  $\varnothing 0.344 \pm 0.039$   
 THESE DIMENSIONS APPLY TO THE TOP 1.25mm OF  
 THE PCB THICKNESS FROM THE CONNECTOR MOUNTING  
 SIDE.
- 9 CONTACT SALES FOR AVAILABILITY OF THIS STACK  
 HEIGHT.

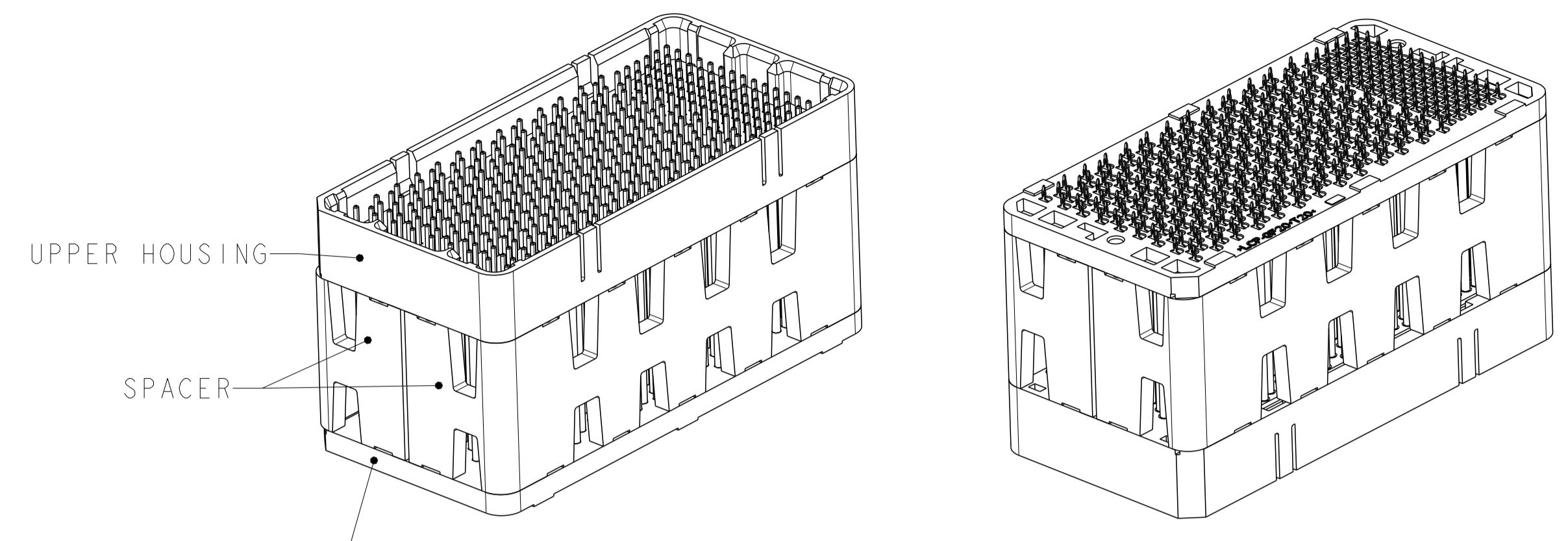


**SIZE 3 HOUSING \***  
**96 DIFFERENTIAL PAIRS**  
**84 HIGH-DENSITY GRID**  
**393 TOTAL SIGNAL CONTACTS**

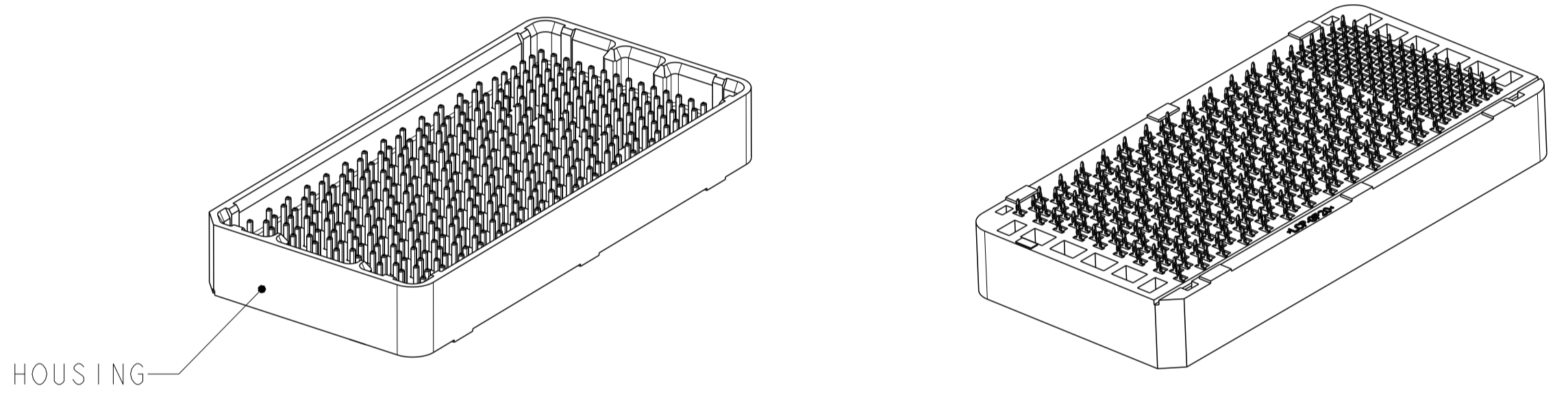
\* SIZE 1 AND SIZE 2 ARE ALSO AVAILABLE

THIS DRAWING IS A CONTROLLED DOCUMENT.		DWN D. RINGLER 10JUN2009	TE Connectivity																			
DIMENSIONS:		CHK D. TROUT 10JUN2009																				
mm	TOLERANCES UNLESS OTHERWISE SPECIFIED:	APVD J. FEEDER 10JUN2009	NAME HEADER ASSEMBLY 96/84/393 STRADA MESA MEZZANINE CONNECTOR																			
<table border="1"> <tr><td>0 PLC</td><td>±</td></tr> <tr><td>2 PLC</td><td>±0.13</td></tr> <tr><td>3 PLC</td><td>±0.013</td></tr> <tr><td>4 PLC</td><td>±</td></tr> <tr><td>ANGLES</td><td>±1</td></tr> <tr><td>FINISH</td><td>-</td></tr> </table>	0 PLC	±	2 PLC	±0.13	3 PLC	±0.013	4 PLC	±	ANGLES	±1	FINISH	-	<table border="1"> <tr><td>PRODUCT SPEC</td><td>108-2375</td></tr> <tr><td>APPLICATION SPEC</td><td>114-13249</td></tr> <tr><td>WEIGHT</td><td>-</td></tr> </table>	PRODUCT SPEC	108-2375	APPLICATION SPEC	114-13249	WEIGHT	-	SIZE A1	CAGE CODE 00779	DRAWING NO. C=2110550
0 PLC	±																					
2 PLC	±0.13																					
3 PLC	±0.013																					
4 PLC	±																					
ANGLES	±1																					
FINISH	-																					
PRODUCT SPEC	108-2375																					
APPLICATION SPEC	114-13249																					
WEIGHT	-																					
MATERIAL		CUSTOMER DRAWING		RESTRICTED TO																		
		SCALE 6:1		SHEET 1 OF 4 REV A																		

LOC	DIST	REVISIONS					
GP	00	P	LYN	DESCRIPTION	DATE	OWN	APVD
		-		SEE SHEET 1			



ISOMETRIC VIEW  
 TYPICAL CONFIGURATION FOR 14mm THRU 42mm  
 28mm SHOWN  
 SCALE 2:1



ISOMETRIC VIEWS  
 TYPICAL CONFIGURATION FOR 8mm THRU 13mm  
 8mm SHOWN  
 SCALE 2:1

△	41.8	42mm	MATTE Sn	9-2110550-2
△	40.8	41mm	MATTE Sn	9-2110550-1
△	39.8	40mm	MATTE Sn	9-2110550-0
△	38.8	39mm	MATTE Sn	8-2110550-9
△	37.8	38mm	MATTE Sn	8-2110550-8
△	36.8	37mm	MATTE Sn	8-2110550-7
△	35.8	36mm	MATTE Sn	8-2110550-6
△	34.8	35mm	MATTE Sn	8-2110550-5
△	33.8	34mm	MATTE Sn	8-2110550-4
△	32.8	33mm	MATTE Sn	8-2110550-3
△	31.8	32mm	MATTE Sn	8-2110550-2
△	30.8	31mm	MATTE Sn	8-2110550-1
△	29.8	30mm	MATTE Sn	8-2110550-0
△	28.8	29mm	MATTE Sn	7-2110550-9
△	27.8	28mm	MATTE Sn	7-2110550-8
△	26.8	27mm	MATTE Sn	7-2110550-7
△	25.8	26mm	MATTE Sn	7-2110550-6
△	24.8	25mm	MATTE Sn	7-2110550-5
△	23.8	24mm	MATTE Sn	7-2110550-4
△	22.8	23mm	MATTE Sn	7-2110550-3
△	21.8	22mm	MATTE Sn	7-2110550-2
△	20.8	21mm	MATTE Sn	7-2110550-1
△	19.8	20mm	MATTE Sn	7-2110550-0
△	18.8	19mm	MATTE Sn	6-2110550-9
△	17.8	18mm	MATTE Sn	6-2110550-8
△	16.8	17mm	MATTE Sn	6-2110550-7
△	15.8	16mm	MATTE Sn	6-2110550-6
△	14.8	15mm	MATTE Sn	6-2110550-5
△	13.8	14mm	MATTE Sn	6-2110550-4
△	12.8	13mm	MATTE Sn	6-2110550-3
△	11.8	12mm	MATTE Sn	6-2110550-2
△	10.8	11mm	MATTE Sn	6-2110550-1
△	9.8	10mm	MATTE Sn	6-2110550-0
△	8.8	9mm	MATTE Sn	5-2110550-9
△	7.8	8mm	MATTE Sn	5-2110550-8
TOOLED	DIM H	STACK HEIGHT	CONTACT TAIL PLATING	PART NUMBER

△	41.8	42mm	Sn/Pb	4-2110550-2
△	40.8	41mm	Sn/Pb	4-2110550-1
△	39.8	40mm	Sn/Pb	4-2110550-0
△	38.8	39mm	Sn/Pb	3-2110550-9
△	37.8	38mm	Sn/Pb	3-2110550-8
△	36.8	37mm	Sn/Pb	3-2110550-7
△	35.8	36mm	Sn/Pb	3-2110550-6
△	34.8	35mm	Sn/Pb	3-2110550-5
△	33.8	34mm	Sn/Pb	3-2110550-4
△	32.8	33mm	Sn/Pb	3-2110550-3
△	31.8	32mm	Sn/Pb	3-2110550-2
△	30.8	31mm	Sn/Pb	3-2110550-1
△	29.8	30mm	Sn/Pb	3-2110550-0
△	28.8	29mm	Sn/Pb	2-2110550-9
△	27.8	28mm	Sn/Pb	2-2110550-8
△	26.8	27mm	Sn/Pb	2-2110550-7
△	25.8	26mm	Sn/Pb	2-2110550-6
△	24.8	25mm	Sn/Pb	2-2110550-5
△	23.8	24mm	Sn/Pb	2-2110550-4
△	22.8	23mm	Sn/Pb	2-2110550-3
△	21.8	22mm	Sn/Pb	2-2110550-2
△	20.8	21mm	Sn/Pb	2-2110550-1
△	19.8	20mm	Sn/Pb	2-2110550-0
△	18.8	19mm	Sn/Pb	1-2110550-9
△	17.8	18mm	Sn/Pb	1-2110550-8
△	16.8	17mm	Sn/Pb	1-2110550-7
△	15.8	16mm	Sn/Pb	1-2110550-6
△	14.8	15mm	Sn/Pb	1-2110550-5
△	13.8	14mm	Sn/Pb	1-2110550-4
△	12.8	13mm	Sn/Pb	1-2110550-3
△	11.8	12mm	Sn/Pb	1-2110550-2
△	10.8	11mm	Sn/Pb	1-2110550-1
△	9.8	10mm	Sn/Pb	1-2110550-0
△	8.8	9mm	Sn/Pb	2110550-9
△	7.8	8mm	Sn/Pb	2110550-8
TOOLED	DIM H	STACK HEIGHT	CONTACT TAIL PLATING	PART NUMBER

THIS DRAWING IS A CONTROLLED DOCUMENT. DWG: D. RINGLER 10JUN2009  
 CHK: D. TROUT 10JUN2009  
 APVD: J. FEEDER 10JUN2009

**STE** TE Connectivity

NAME: HEADER ASSEMBLY  
 96/84/393  
 STRADA MESA MEZZANINE CONNECTOR

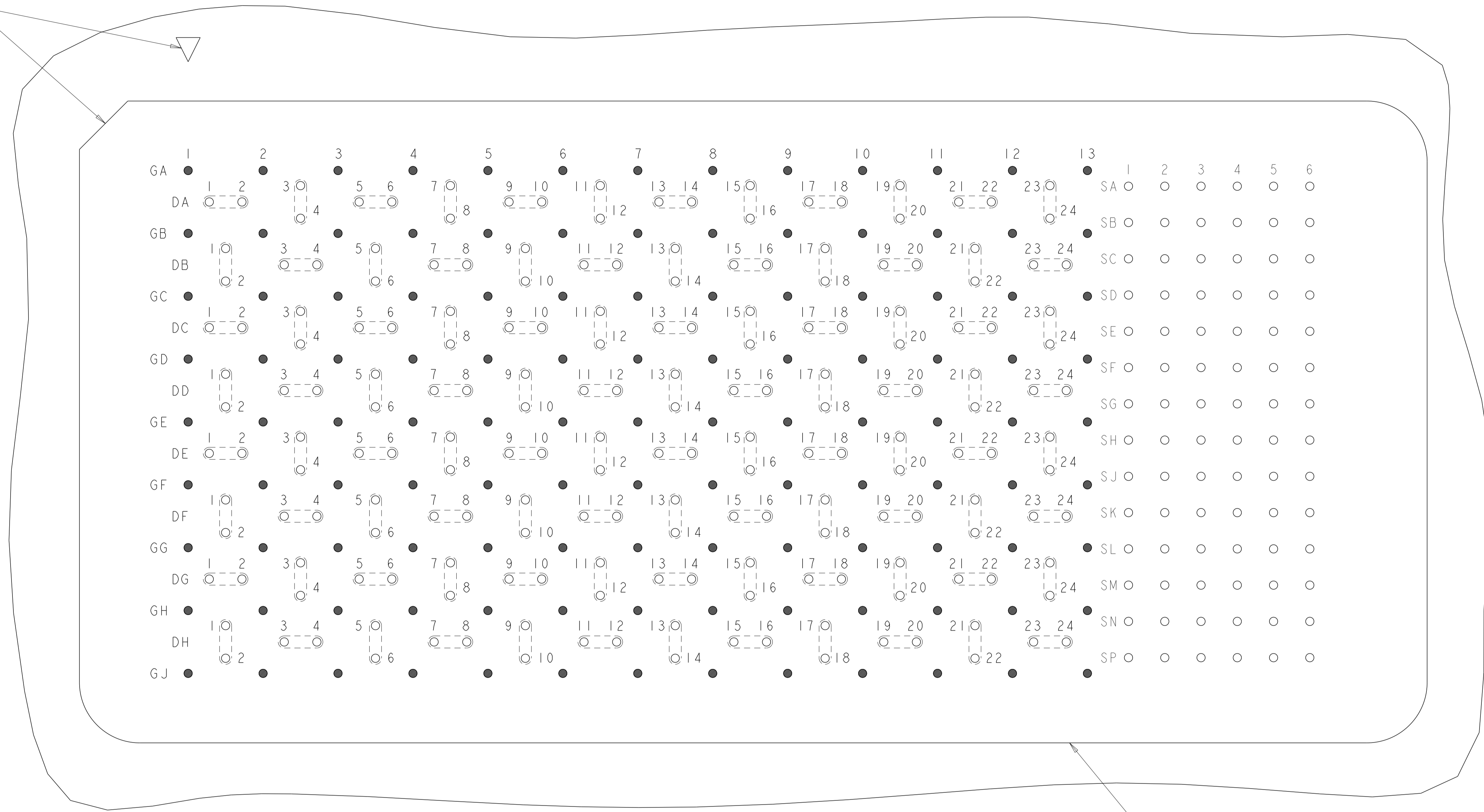
PRODUCT SPEC: 108-2375  
 APPLICATION SPEC: 114-13249

SIZE: A1 CAGE CODE: 2110550 DRAWING NO: 100779  
 WEIGHT: -  
 CUSTOMER DRAWING

RESTRICTED TO: -  
 SCALE: 6:1 SHEET: 2 OF 4 REV: A


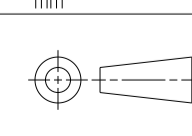
LOC		DIST		REVISIONS				
P	LYR	DESCRIPTION	DATE	DWN	APVD			
-	-	SEE SHEET 1	-	-	-			

A1 CORNER INDICATORS



MATED CONNECTOR OUTLINE  
 SEE SHEET 4 FOR LOCATION TO HOLES

**PCB LAYOUT AND PIN IDENTIFICATION**   
 SHOWN FROM CONNECTOR SIDE  
 SCALE 10:1

THIS DRAWING IS A CONTROLLED DOCUMENT.		DWN D. RINGLER 10JUN2009	 TE Connectivity
DIMENSIONS:		CHK D. TROUT 10JUN2009	
mm	TOLERANCES UNLESS OTHERWISE SPECIFIED:	APVD J. FEEDER 10JUN2009	NAME HEADER ASSEMBLY 96/84/393
	0 PLC ± 1 PLC ± 2 PLC ±0.13 3 PLC ±0.13 4 PLC ± ANGLES ±1	PRODUCT SPEC 108-2375	RESTRICTED TO
MATERIAL	FINISH	APPLICATION SPEC 114-13249	SIZE A100779
		WEIGHT	CAGE CODE C=2110550
		CUSTOMER DRAWING	SCALE 6:1 SHEET 3 OF 4 REV A