

THIS DRAWING IS UNPUBLISHED.

RELEASED FOR PUBLICATION

ALL RIGHTS RESERVED.

© COPYRIGHT - By -

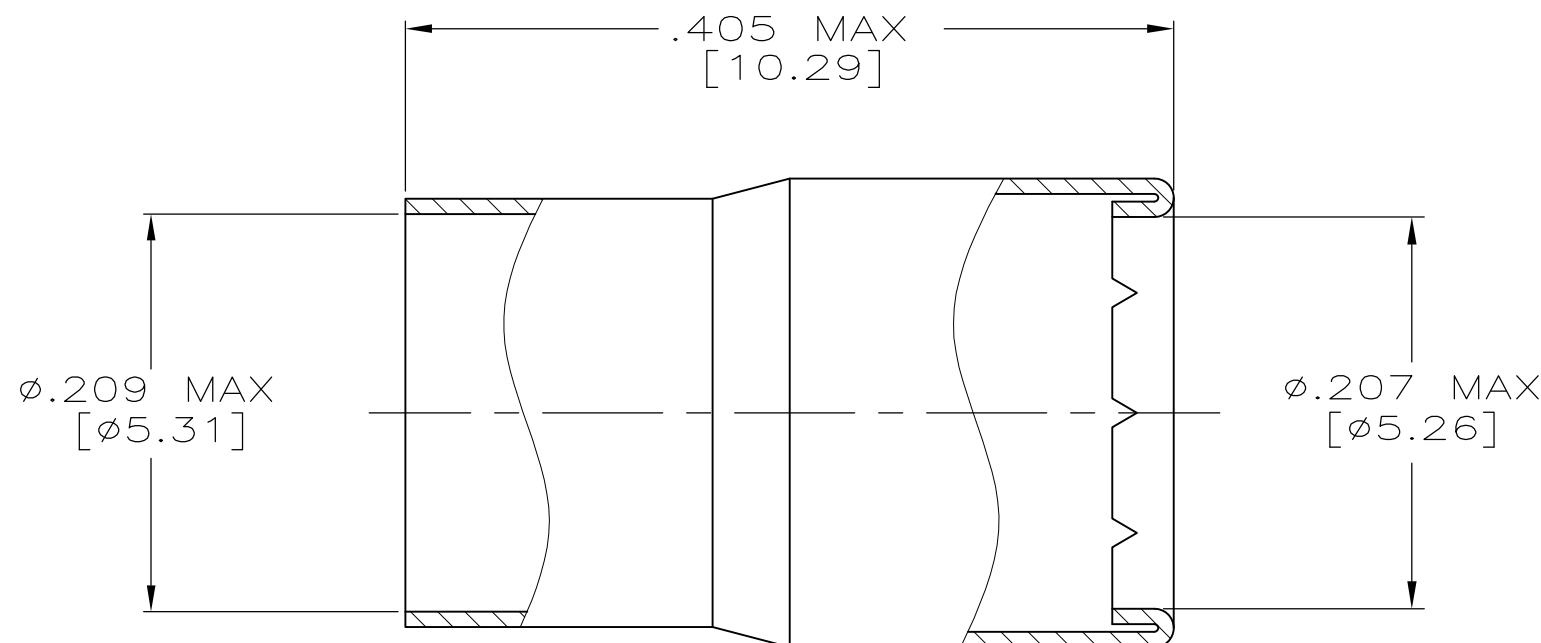
REVISIONS

P	LTR	DESCRIPTION	DATE	DWN	APVD
	Z1	REVISED PER ECO-15-016019	06NOV2015	RZ	RS

1. COPPER PER ASTM-B-152

2 SILVER PLATE PER QQ-S-365, .000200 [5.08um] MIN THICKNESS.

3 TIN-LEAD PLATE PER ASTM-B-545, .000100 [2.54um] MIN THICKNESS.



		2	9-328663-0
	OBSOLETE	3	2-328663-4
REPLACED BY 9-328663-0	OBSOLETE	2	328663
		FINISH	PART NUMBER

THIS DRAWING IS A CONTROLLED DOCUMENT.		DWN MICHAEL E. COWHER 14NOV95	STE TE Connectivity														
DIMENSIONS: INCHES		CHK FRANK MORANA				NAME FRANK MORANA											
TOLERANCES UNLESS OTHERWISE SPECIFIED:		APVD FRANK MORANA	PRODUCT SPEC														
<table border="0"> <tr><td>0 PLC</td><td>± -</td></tr> <tr><td>1 PLC</td><td>± -</td></tr> <tr><td>2 PLC</td><td>± -</td></tr> <tr><td>3 PLC</td><td>± -</td></tr> <tr><td>4 PLC</td><td>± -</td></tr> <tr><td>ANGLES</td><td>± -</td></tr> </table>		0 PLC	± -	1 PLC	± -	2 PLC	± -	3 PLC	± -	4 PLC	± -	ANGLES	± -	APPLICATION SPEC	FERRULE STEP DOWN		
0 PLC	± -																
1 PLC	± -																
2 PLC	± -																
3 PLC	± -																
4 PLC	± -																
ANGLES	± -																
MATERIAL SEE ABOVE	FINISH -	WEIGHT -	SIZE A3	CAGE CODE 00779	DRAWING NO C-328663												
CUSTOMER DRAWING			RESTRICTED TO -	SCALE 10:1	SHEET 1 OF 1												
			REV Z1														