

THIS DRAWING IS UNPUBLISHED.

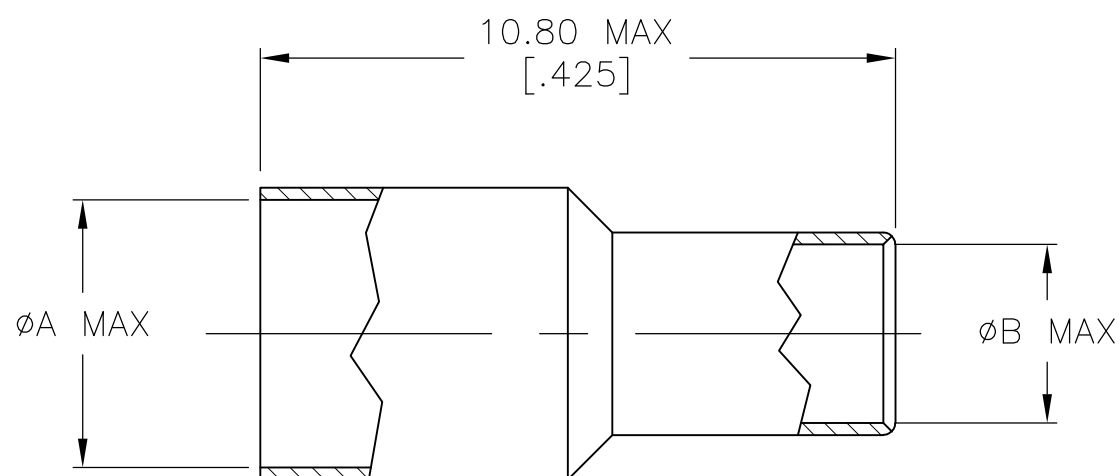
RELEASED FOR PUBLICATION

REVISIONS

© COPYRIGHT - By -

ALL RIGHTS RESERVED.

| P | LTR | DESCRIPTION               | DATE      | DWN | APVD |
|---|-----|---------------------------|-----------|-----|------|
|   | T5  | REVISED PER ECR-17-009545 | 08AUG2017 | AS  | RS   |



- 1 SILVER PLATE PER QQ-S-365  
5.08  $\mu m$  [.000200] MINIMUM THICK.
- 2 TIN-LEAD PLATE PER ASTM-B-545  
2.54  $\mu m$  [.000100] MINIMUM THICK,  
WITH SUPPLEMENTAL ANTI FRETTING LUBRICANT.
- 3 GOLD PLATE PER MIL-G-45204  
0.76  $\mu m$  [.000030] MINIMUM THICK.
- 4 MATTE TIN PLATE PER ASTM-B-545  
2.54  $\mu m$  [.000100] MINIMUM THICK,  
WITH SUPPLEMENTAL ANTI FRETTING LUBRICANT.
- 5 BRIGHT TIN PLATE PER ASTM-B-545  
2.54  $\mu m$  [.000100] MINIMUM THICK,  
WITH SUPPLEMENTAL ANTI FRETTING LUBRICANT.
- 6 328666 REPLACED BY 9-328666-3

|          |             |             |        |             |
|----------|-------------|-------------|--------|-------------|
|          | 3.05 [.120] | 4.55 [.179] | 5      | 9-328666-4  |
|          | 3.05 [.120] | 3.86 [.152] | 1      | 9-328666-3  |
|          | 3.73 [.147] | 4.55 [.179] | 4      | 9-328666-2  |
|          | 3.05 [.120] | 3.86 [.152] | 4      | 9-328666-1  |
|          | 3.05 [.120] | 4.55 [.179] | 4      | 9-328666-0  |
|          | 3.40 [.134] | 4.55 [.179] | 2      | 3-328666-9  |
|          | 5.03 [.198] | 5.51 [.217] | 2      | 3-328666-6  |
| OBSOLETE | 3.73 [.147] | 4.55 [.179] | 2      | 3-328666-3  |
|          | 3.05 [.120] | 3.86 [.152] | 2      | 2-328666-7  |
|          | 3.05 [.120] | 4.55 [.179] | 3      | 2-328666-6  |
| OBSOLETE | 3.05 [.120] | 4.55 [.179] | 2      | 2-328666-5  |
|          | 3.05 [.120] | 4.55 [.179] | 1      | 2-328666-3  |
| OBSOLETE | 3.05 [.120] | 3.86 [.152] | 1      | 328666      |
|          | B           | A           | FINISH | PART NUMBER |

|  |  |                              |                            |           |            |
|--|--|------------------------------|----------------------------|-----------|------------|
| THIS DRAWING IS A CONTROLLED DOCUMENT. |  | DWN<br>J. LIPPERT<br>28MAR01 | <b>STE</b> TE Connectivity |           |            |
| DIMENSIONS:<br>mm [INCHES]             |  | CHK<br>R.E.RUTH<br>7/27/90   |                            |           |            |
| TOLERANCES UNLESS OTHERWISE SPECIFIED: |  | APVD<br>M. SNEED<br>7/27/90  | NAME                       |           |            |
| 0 PLC $\pm -$                          |  | PRODUCT SPEC                 | FERRULE                    |           |            |
| 1 PLC $\pm -$                          |  | APPLICATION SPEC             | RESTRICTED TO              |           |            |
| 2 PLC $\pm -$                          |  | —                            | SIZE                       | CAGE CODE | DRAWING NO |
| 3 PLC $\pm -$                          |  | —                            | —                          | —         | —          |
| 4 PLC $\pm -$                          |  | —                            | —                          | —         | —          |
| ANGLES $\pm -$                         |  | —                            | —                          | —         | —          |
| FINISH                                 |  | WEIGHT                       | —                          | —         | —          |
| SEE TABLE                              |  | 0.000000                     | A3                         | 00779     | C-328666   |
| MATERIAL<br>COPPER ALLOY               |  | CUSTOMER DRAWING             |                            | SCALE     | SHEET      |
|  |  |                              |                            | 1:1       | 1 OF 1     |
|  |  |                              |                            | REV       | T5         |