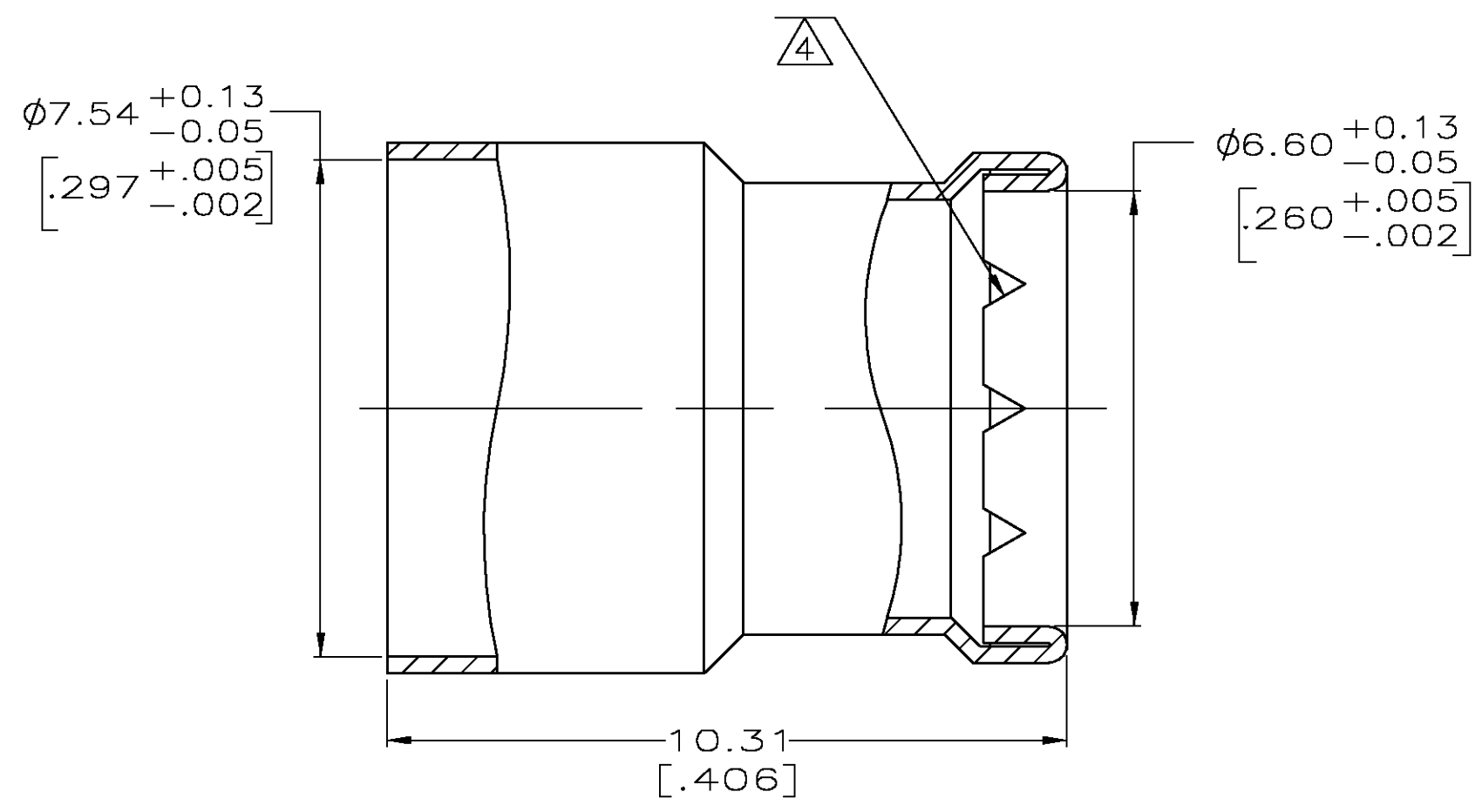


THIS DRAWING IS UNPUBLISHED. RELEASED FOR PUBLICATION
 © COPYRIGHT BY TYCO ELECTRONICS CORPORATION. ALL RIGHTS RESERVED.

| LOC | DIST | REVISIONS | | | | | |
|-----|------|-----------|-----|----------------------------|----------|-----|------|
| | | P | LTR | DESCRIPTION | DATE | DWN | APVD |
| AJ | 16 | | F | RDW & REV PER OS14-0114-04 | 05-10-04 | JDP | JL |

1. COPPER PER QQ-C-576
2. SILVER PLATE PER QQ-S-365, 5.08μm [.000200] MIN THICKNESS.
3. TIN-LEAD PLATE PER ASTM-B-571, 2.54μm [.000100] MIN THICKNESS, WITH SUPPLEMENTAL ANTI FRETTING LUBRICANT.
4. V SERRATIONS PERMISSIBLE
5. TIN PLATE PER ASTM B-545 WITH SUPPLEMENTAL ANTI-FRETTING LUBRICANT.



| | |
|--------|-------------|
| 5 | 9-332224-0 |
| 3 | 1-332224-1 |
| 2 | 1-332224-0 |
| FINISH | PART NUMBER |

| | | | | | | | | | | | | | | | | |
|--|---------------|----------------------------------|---|------------------------|-----|-------|---------------|-------|-----|-------|-----|--------|-----|-------------------|--------------------|--|
| THIS DRAWING IS A CONTROLLED DOCUMENT. | | DWN M.E. COWHER 6-19-92 | Tyco Electronics Corporation Harrisburg, Pa 17105-3608 | | | | | | | | | | | | | |
| DIMENSIONS: mm [INCHES] | | CHK W.R. GRAY 6-22-92 | | | | | | | | | | | | | | |
| TOLERANCES UNLESS OTHERWISE SPECIFIED: | | APVD M. E. COWHER 06-22-92 | NAME FERRULE, STEP DOWN | | | | | | | | | | | | | |
| <table border="0"> <tr> <td>0 PLC</td> <td>± -</td> </tr> <tr> <td>1 PLC</td> <td>± -</td> </tr> <tr> <td>2 PLC</td> <td>± 0.38 [.015]</td> </tr> <tr> <td>3 PLC</td> <td>± -</td> </tr> <tr> <td>4 PLC</td> <td>± -</td> </tr> <tr> <td>ANGLES</td> <td>± -</td> </tr> </table> | | 0 PLC | ± - | 1 PLC | ± - | 2 PLC | ± 0.38 [.015] | 3 PLC | ± - | 4 PLC | ± - | ANGLES | ± - | PRODUCT SPEC - | RESTRICTED TO - | |
| 0 PLC | ± - | | | | | | | | | | | | | | | |
| 1 PLC | ± - | | | | | | | | | | | | | | | |
| 2 PLC | ± 0.38 [.015] | | | | | | | | | | | | | | | |
| 3 PLC | ± - | | | | | | | | | | | | | | | |
| 4 PLC | ± - | | | | | | | | | | | | | | | |
| ANGLES | ± - | | | | | | | | | | | | | | | |
| MATERIAL SEE NOTES | | FINISH SEE TABLE | APPLICATION SPEC - | SIZE A3 | | | | | | | | | | | | |
| | | WEIGHT - | CAGE CODE 00779 | DRAWING NO C-332224 | | | | | | | | | | | | |
| CUSTOMER DRAWING | | | SCALE 10:1 | SHEET 1 OF 1 | | | | | | | | | | | | |
| | | | REV F | | | | | | | | | | | | | |