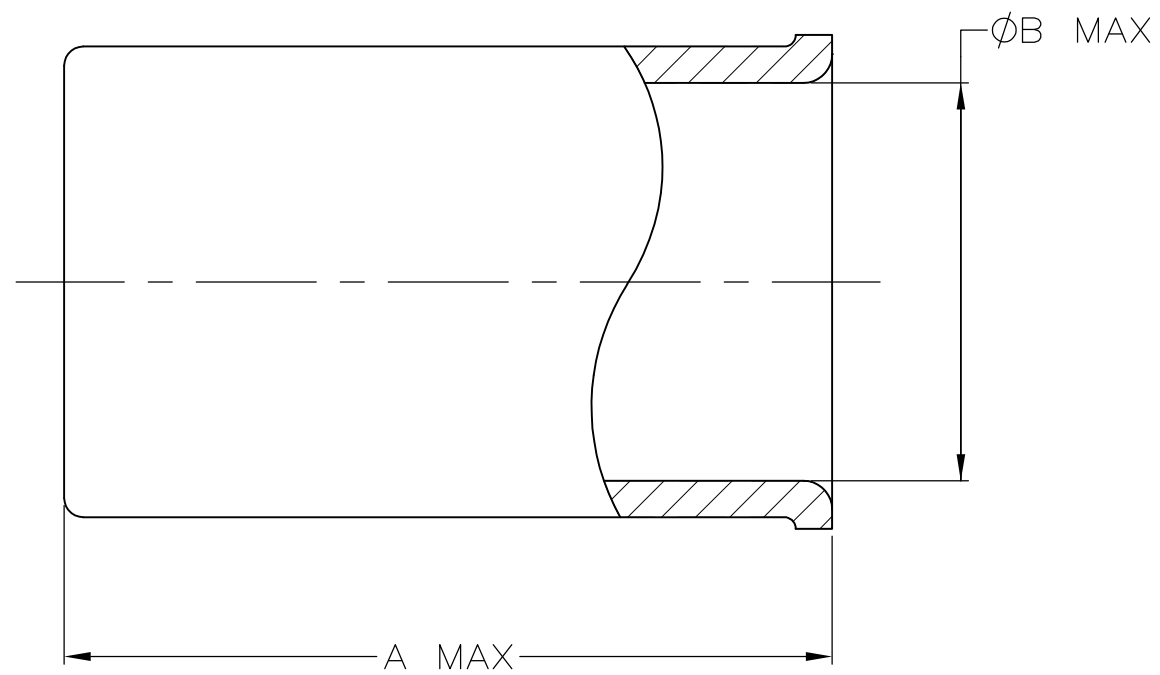


THIS DRAWING IS UNPUBLISHED. RELEASED FOR PUBLICATION
 © COPYRIGHT BY TYCO ELECTRONICS CORPORATION. ALL RIGHTS RESERVED.

LOC	DIST	REVISIONS					
		P	LTR	DESCRIPTION	DATE	DWN	APVD
AJ	16		AU	REVISED PER ECO-10-008441	17JUN10	HMR	KW



- 1 COPPER ALLOY
- 2 GOLD PLATE PER MIL-G-45204, 0.08 μ m [.0000030] MIN THICKNESS.
- 3 SILVER PLATE PER QQ-S-365, 5.08 μ m [.0000200] MIN THICKNESS.
- 4 TIN-LEAD PLATE PER ASTM-B-545, 2.54 μ m [.000100] MIN THICKNESS, WITH SUPPLEMENTAL ANTI FRETTING LUBRICANT.
- 5 MATTE TIN PLATE PER ASTM B-545, 2.54 μ m [.000100] MINIMUM THICKNESS, WITH SUPPLEMENTAL ANTI FRETTING LUBRICANT

	3	5.33	[.210]	10.41	[.410]	9-50427-3
	5	8.53	[.336]	14.10	[.555]	9-50427-2
	5	5.33	[.210]	10.41	[.410]	9-50427-1
	5	5.33	[.210]	10.41	[.410]	9-50427-0
	4	8.53	[.336]	14.10	[.555]	1-50427-6
	2	5.33	[.210]	10.41	[.410]	1-50427-3
OBSOLETE	4	7.70	[.303]	12.83	[.505]	1-50427-2
	4	7.37	[.290]	10.44	[.411]	50427-6
	4	5.33	[.210]	10.41	[.410]	50427-4
OBSOLETE	3	5.79	[.228]	10.16	[.400]	50427-3
	3	5.33	[.210]	10.41	[.410]	50427-1
		FINISH	B	A		PART NUMBER

THIS DRAWING IS A CONTROLLED DOCUMENT.		DWN MICHAEL E. COWHER 10NOV95	Tyco Electronics Corporation Harrisburg, PA 17105-3608	
DIMENSIONS: mm [INCHES]		CHK FRANK MORANA 10NOV95	Tyco Electronics	
TOLERANCES UNLESS OTHERWISE SPECIFIED:		APVD FRANK MORANA 10NOV95	NAME FERRULE	
0 PLC ± -		PRODUCT SPEC	SIZE	
1 PLC ± -		APPLICATION SPEC	CAGE CODE	
2 PLC ± -		WEIGHT	DRAWING NO	
3 PLC ± -			RESTRICTED TO	
4 PLC ± -			A3 00779 C-50427	
ANGLES ± -			SCALE 10:1	
MATERIAL SEE NOTES	FINISH SEE TABLE	CUSTOMER DRAWING		SHEET 1 OF 1
				REV AU