

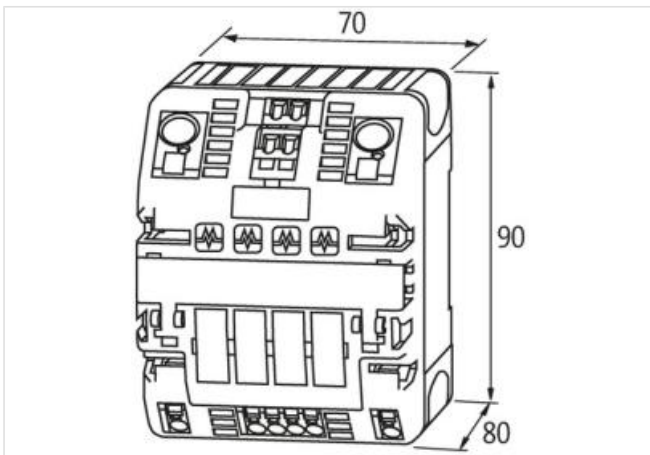
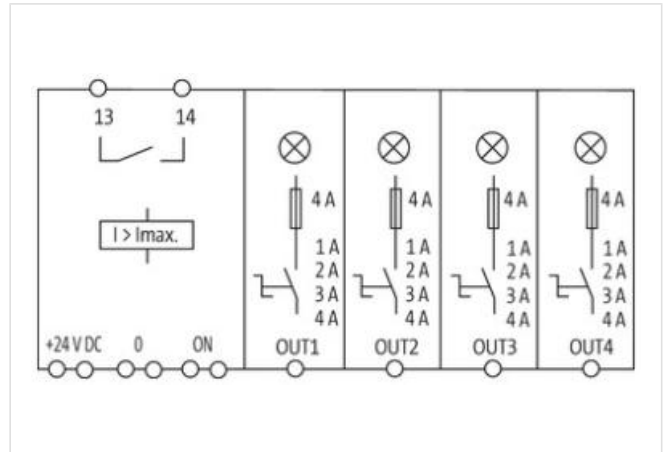
**MICO electronic circuit protection, 4 CHANNELS**

IN: 24 V DC OUT: 24 V DC / 1-2-3-4 A CL2

MICO 4.4  
 4 channels  
 Current adjustment 1, 2, 3, 4 A

[Link to Product](#)

**Illustration**



Product may differ from Image



**Classifications**

ECLASS-6.0	27371802
ECLASS-6.1	27371802
ECLASS-7.0	27371802
ECLASS-8.0	27371802
ECLASS-9.0	27371802
ECLASS-10.1	27371802

ECLASS-11.1	27371802
ECLASS-12.0	27371802
ETIM-5.0	EC001440
<b>Output</b>	
Inrush capacity	max. 20 mF (per channel)
<b>Control outputs</b>	
Group alarm output	potential free 30 V AC/DC, 100 mA
<b>Input</b>	
Operating voltage	24 V DC (18...30 V DC)
<b>General data</b>	
Mounting method	DIN-rail mountable TH35 (EN 60715)
Temperature range	0...+55 °C (storage temperature -40...+80 °C)
Connection	Spring clamp terminals
Dimensions H×W×D	90×70×80 mm
Bridging concept	two sides, with spring clamp terminals or bridge set (max. 40 A)
Output terminals	per output 1 × 4 mm <sup>2</sup>
Input terminals	2 × 16 mm <sup>2</sup>
Alarm terminals	2.5 mm <sup>2</sup>
<b>Control inputs</b>	
Input voltage (ON)	10...30 V DC
Impulse length (ON)	min. 20 ms
<b>Commercial data</b>	
customs tariff number	85363010
GTIN	4048879064866
Packaging unit	1