

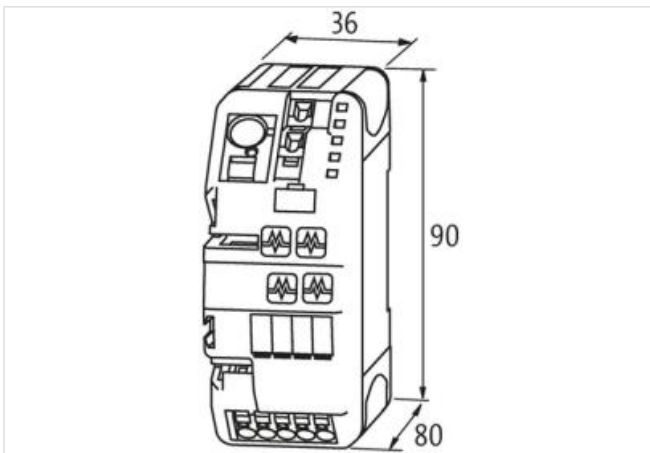
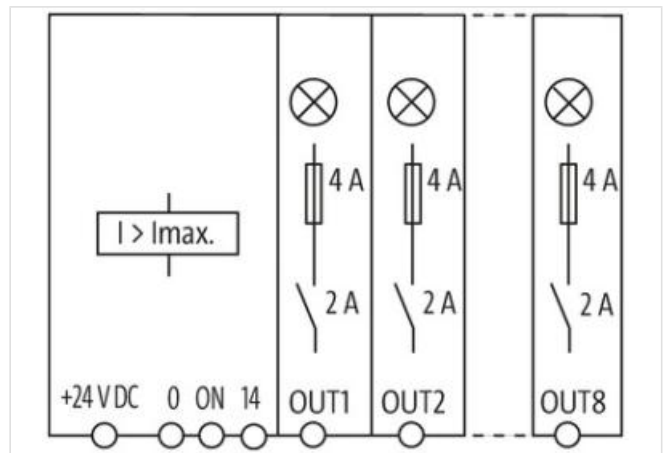
## MICO BASIC 4.2 electronic circuit protection, 4 CHANNELS

IN: 24 V DC OUT: 24 V / 2 A CL2

MICO BASIC 4.2  
4 channels  
Current adjustment 2 A

### [Link to Product](#)

#### Illustration



Product may differ from Image



#### Commercial data

ECLASS-6.0	27371802
ECLASS-6.1	27371802
ECLASS-7.0	27371802
ECLASS-8.0	27371802
ECLASS-9.0	27371802
ECLASS-10.1	27371802

ECLASS-11.1	27371802
ECLASS-12.0	27371802
ETIM-5.0	EC001440
customs tariff number	85363010
GTIN	4048879327145
Packaging unit	1

**Electrical data | Input**

Input voltage DC	24 V
Input voltage DC min.	18 V
Input voltage DC max.	30 V
ON input voltage control inputs min.	10 V
ON input voltage control inputs max.	30 V
ON pulse length control inputs high min.	20 ms
Total current bridge set max.	40 A

**Electrical data | Output**

Switch-on capacity per channel max.	20 mF
Switching current max.	20 mA

**Installation**

Connection cross-section outputs max.	4 mm <sup>2</sup>
Connection cross-section inputs max.	16 mm <sup>2</sup>
Connection cross-section control inputs/outputs max.	2,5 mm <sup>2</sup>

**Mechanical data | Mounting data**

Mounting method	geschnappt
Suitable for mounting type	Mounting rail TH35, (EN 60715)
Height	90 mm
Width	36 mm
Depth	80 mm

**Environmental characteristics | Climatic**

Operating temperature min.	0 °C
Operating temperature max.	55 °C
Storage temperature min.	-40 °C
Storage temperature max.	80 °C

**Connection type 5**

Family construction form	Bridging Contact
Gender	female
Color contact carrier	black
No. of poles	1
Family construction form	Bridging Contact
Gender	female
Color contact carrier	black
No. of poles	1
Connection	Spring clamp terminals FK
Family construction form	terminal
Gender	female
Color contact carrier	green
No. of poles	1
Connection	Spring clamp terminals FK
Family construction form	terminal
Gender	female
Color contact carrier	green
No. of poles	2