

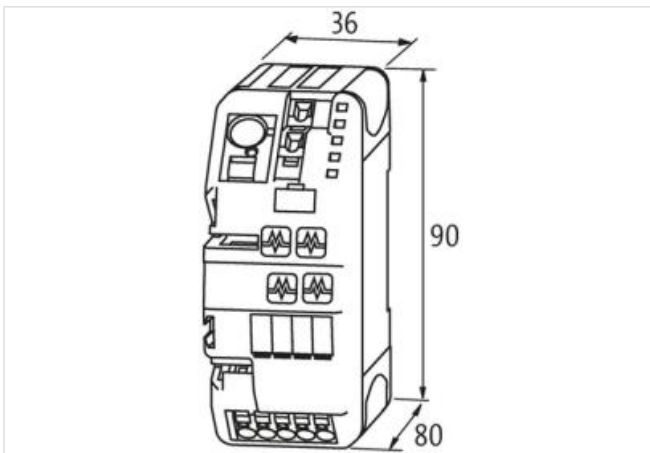
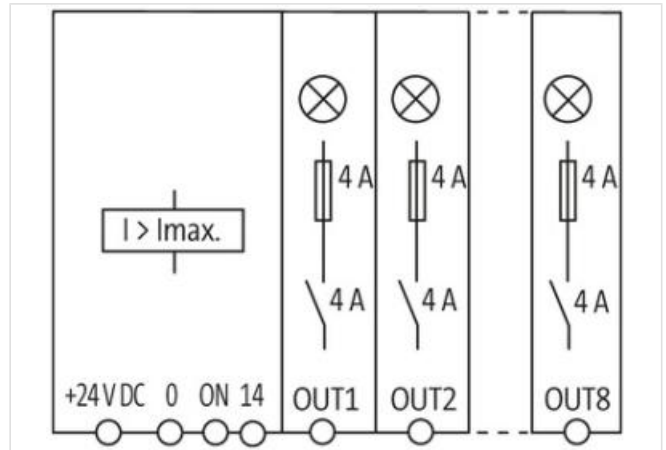
MICO BASIC 4.4 electronic circuit protection, 4 CHANNELS

IN: 24 V DC OUT: 24 V / 4 A CL2

MICO BASIC 4.4
4 channels
Current adjustment 4 A

[Link to Product](#)

Illustration



Product may differ from Image



Classifications

ECLASS-6.0	27371802
ECLASS-6.1	27371802
ECLASS-7.0	27371802
ECLASS-8.0	27371802
ECLASS-9.0	27371802
ECLASS-10.1	27371802

ECLASS-11.1	27371802
ECLASS-12.0	27371802
ETIM-5.0	EC001440
Output	
Inrush capacity	max. 20 mF (per channel)
Control outputs	
Group alarm output	max. 20 mA; high: all channels ON; low: not all channels ON
Input	
Operating voltage	24 V DC (18...30 V DC)
General data	
Mounting method	DIN-rail mountable TH35 (EN 60715)
Temperature range	0...+55 °C (storage temperature -40...+80 °C)
Connection	Spring clamp terminals
Dimensions H×W×D	90×36×80 mm
Bridging concept	one side, with spring clamp terminals or bridge set (max. 40 A)
Output terminals	per output 1 × 4 mm ²
Input terminals	1 × 16 mm ²
Alarm terminals	2.5 mm ²
Control inputs	
Input voltage (ON)	10...30 V DC
Impulse length (ON)	min. 20 ms
Commercial data	
customs tariff number	85363010
GTIN	4048879332415
Packaging unit	1