

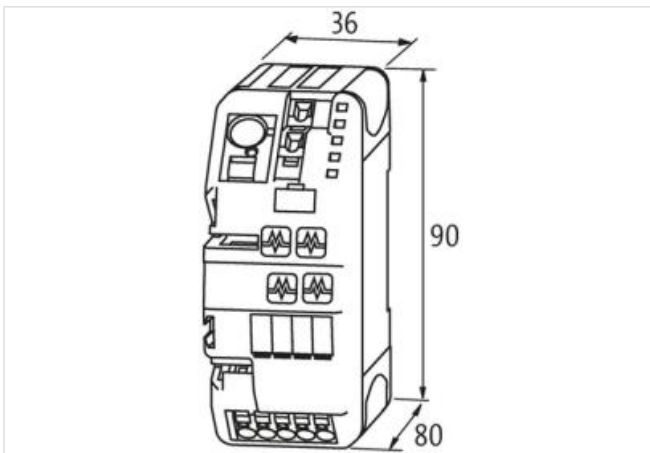
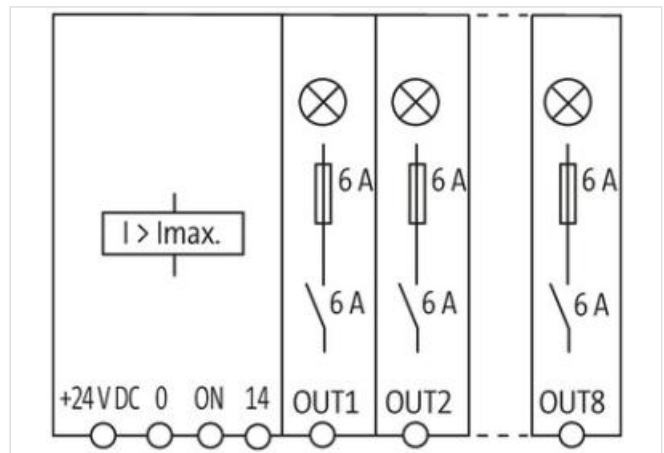
## MICO BASIC 4.6 electronic circuit protection, 4 CHANNELS

IN: 24 V DC OUT: 24 V DC / 6 A

MICO BASIC 4.6  
4 channels  
Current adjustment 6 A

### [Link to Product](#)

#### Illustration



Product may differ from Image



#### Input

Operating voltage 24 V DC (18...30 V DC)

#### Output

Inrush capacity max. 20 mF (per channel)  
Current adjustment 6 A

#### Control inputs

Input voltage (ON) 10...30 V DC

Impulse length (ON) min. 20 ms

**Control outputs**

Group alarm output max. 20 mA; high: all channels ON; low: not all channels ON

**General data**

Mounting method	DIN-rail mountable TH35 (EN 60715)
Temperature range	0...+55 °C (storage temperature -40...+80 °C)
Connection	Spring clamp terminals
Dimensions H×W×D	90×36×80 mm
Bridging concept	one side, with spring clamp terminals or bridge set (max. 40 A)
Output terminals	per output 1 × 4 mm <sup>2</sup>
Input terminals	1 × 16 mm <sup>2</sup>
Alarm terminals	2.5 mm <sup>2</sup>