

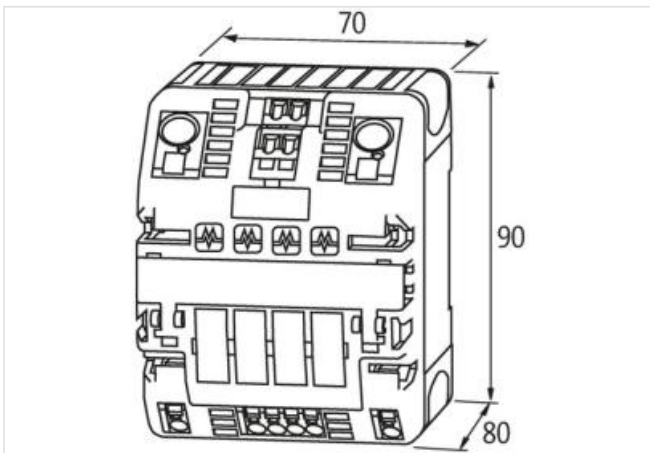
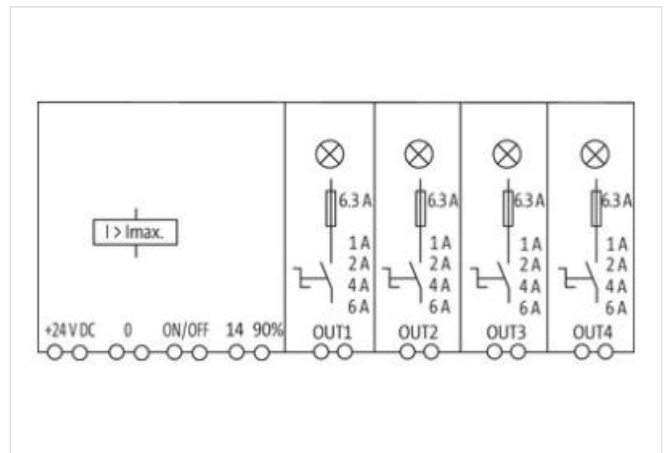
MICO+ 4.6 electronic circuit protection, 4 CHANNELS

IN: 24 V DC OUT: 24 V DC / 1-2-4-6 A

MICO+ 4.6
4 channels
Current adjustment 1, 2, 4, 6 A

[Link to Product](#)

Illustration



Product may differ from Image



Input

Operating voltage 24 V DC (18...30 V DC)

Output

Inrush capacity max. 20 mF (per channel)
Current adjustment 1 A, 2 A, 4 A, 6 A, by countersunk rotary switch, sealed

Control inputs

Input voltage (ON) 10...30 V DC

Impulse length (ON)	min. 20 ms
Remote start (OFF)	10...30 V DC
Control outputs	
Early warning (90%)	max. 20 mA; high: one channel over 90%; low: all channels under 90%
Group alarm output	max. 20 mA; high: all channels ON; low: not all channels ON
General data	
Mounting method	DIN-rail mountable TH35 (EN 60715)
Temperature range	0...+55 °C (storage temperature -40...+80 °C)
Connection	Spring clamp terminals
Dimensions HxWxD	90x70x80 mm
Bridging concept	two sides, with spring clamp terminals or bridge set (max. 40 A)
Output terminals	per output 2x 1.5 mm ²
Input terminals	2x 16 mm ²
Alarm terminals	2.5 mm ²