

**MICO+ 4.10 electronic circuit protection, 4 CHANNELS**

IN: 24 V DC OUT: 24 V DC / 4-6-8-10 A

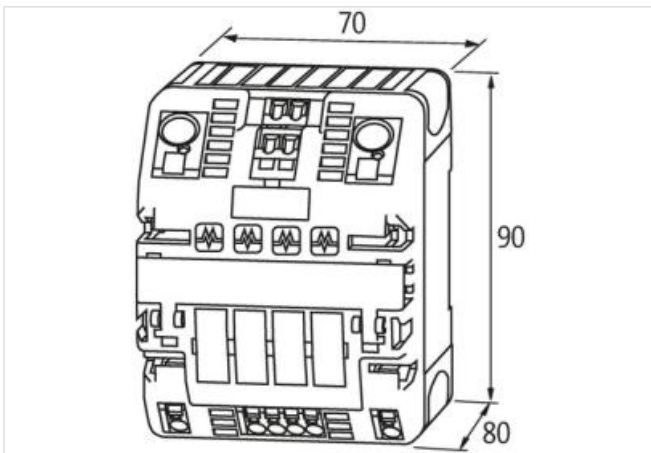
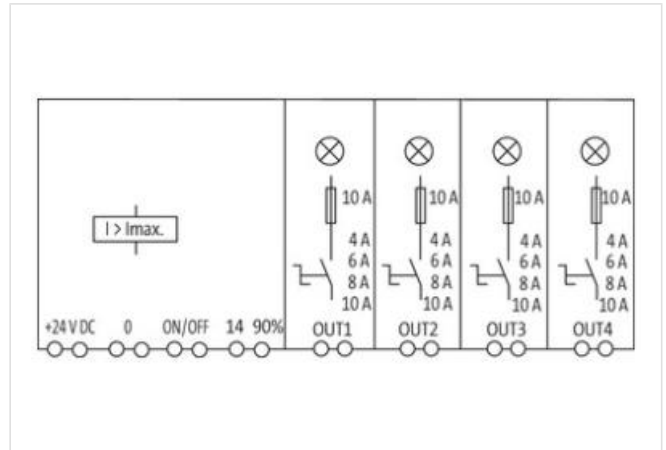
MICO+ 4.10

4 channels

Current adjustment 4, 6, 8, 10 A

[Link to Product](#)

**Illustration**



Product may differ from Image



**Classifications**

ECLASS-6.0	27371802
ECLASS-6.1	27371802
ECLASS-7.0	27371802
ECLASS-8.0	27371802
ECLASS-9.0	27371802
ECLASS-10.1	27371802

ECLASS-11.1	27371802
ECLASS-12.0	27371802
ETIM-5.0	EC001440
<b>Output</b>	
Inrush capacity	max. 20 mF (per channel)
<b>Control outputs</b>	
Early warning (90%)	max. 20 mA; high: one channel over 90%; low: all channels under 90%
Group alarm output	max. 20 mA; high: all channels ON; low: not all channels ON
<b>Input</b>	
Operating voltage	24 V DC (18...30 V DC)
<b>General data</b>	
Mounting method	DIN-rail mountable TH35 (EN 60715)
Temperature range	0...+55 °C (storage temperature -40...+80 °C)
Connection	Spring clamp terminals
Dimensions HxWxD	90x70x80 mm
Bridging concept	two sides, with spring clamp terminals or bridge set (max. 40 A)
Output terminals	per output 2x 1.5 mm <sup>2</sup>
Input terminals	2x 16 mm <sup>2</sup>
Alarm terminals	2.5 mm <sup>2</sup>
<b>Control inputs</b>	
Input voltage (ON)	10...30 V DC
Impulse length (ON)	min. 20 ms
<b>Commercial data</b>	
customs tariff number	85363010
GTIN	4048879328944
Packaging unit	1