

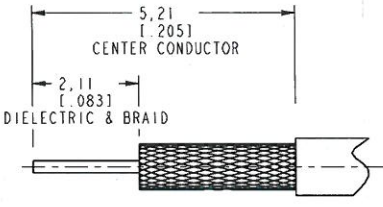
NOTES:

1. MATERIALS AND FINISHES:
 BODY - BRASS, GOLD PLATING
 CONTACTS - BERYLLIUM COPPER, GOLD PLATING
 FERRULE - BRASS, GOLD PLATE
 SLEEVE - BRASS, GOLD PLATE
 INSULATOR - PTFE
 HEX NUT - S.S., GOLD PLATE
2. ELECTRICAL:
 A. IMPEDANCE: 50 OHM
 B. FREQUENCY RANGE: DC - 3 GHz
 C. VSWR (RETURN LOSS): 1.28 (18.22 dB) MAX.
3. MECHANICAL:
 A. DURABILITY: 500 CYCLES MIN.
 B. TEMPERATURE RANGE: -65° C TO +165° C
4. PACKAGING:
 A. QUANTITY: SINGLE PACK
 B. MARKING: BAG TO BE MARKED
 "AMPHENOL, 901-10119, AND DATE CODE"
5. ASSEMBLY:
 A. STRIP CABLE TO DIMENSIONS SHOWN
 B. INSERT THROUGH INNER FERRULE, AND PEEL BRAID BACK, OVER INNER FERRULE
 C. INSTALL BRASS SLEEVE, THEN INSULATOR BUSHING OVER CABLE DIELECTRIC, BOTTOMING ON INNER FERRULE
 D. SOLDER CONTACT TO CABLE CENTER CONDUCTOR, BOTTOMING ON INSULATOR
 E. INSERT CABLE INTO CONNECTOR UNTIL IT BOTTOMS
 F. CRIMP BODY OVER INNER FERRULE USING .105 HEX

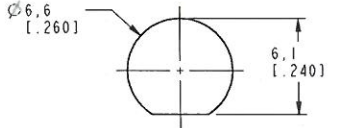
THIRD ANGLE PROJ.

REVISIONS

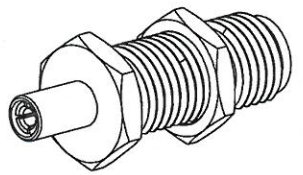
REV	DESCRIPTION	DATE	ECO	APPR
A	RELEASE TO MFG	4/6/04	44885	
B	CORRECTED BALLOONS, ITEM # AND NOTES INSULATOR AND SLEEVE WAS CHANGED/RD-DM05061001G	4/15/04	44906	CPM
C	CONTACT PIN WAS CHANGED/RD-DM05093001J	09-30-05		SCOTT
D	INSULATOR WAS CHANGED/RD-DM10032301S4 CONTACT'S PN WAS CHANGED/RD-DM11102501R	17-Nov-11	48854	



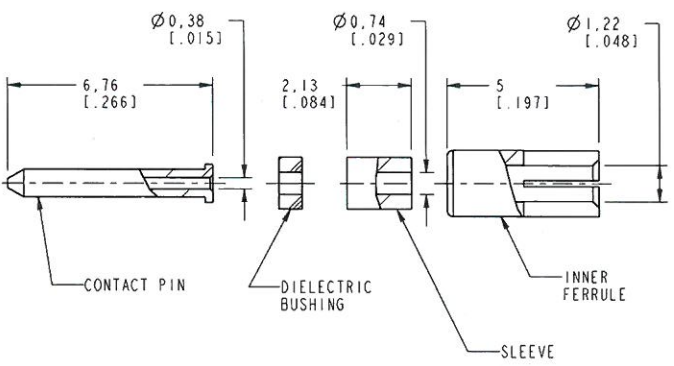
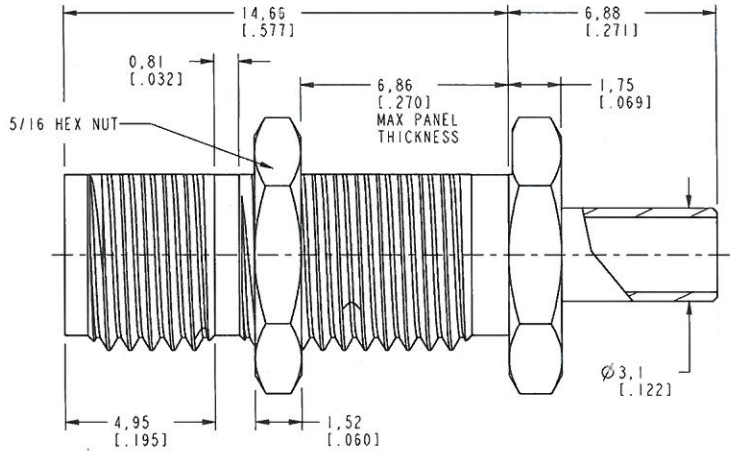
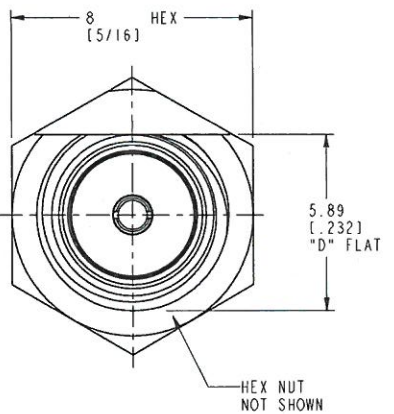
RECOMMENDED CABLE STRIPPING DIMENSIONS
SCALE 10.000



RECOMMENDED MOUNTING HOLE DIMENSIONS
SCALE 80.000



SCALE 3.000



CUSTOMER OUTLINE DRAWING
ALL OTHER SHEETS ARE FOR INTERNAL USE ONLY

UNLESS OTHERWISE SPECIFIED, DIMENSIONS ARE IN METRIC AND TOLERANCES ARE: <0.5mm ±0.05mm 0.5 - 6mm ±0.1mm 6 - 30mm ±0.2mm 30 - 120mm ±0.3mm ANGLES ±1°	MATERIAL SEE NOTES	DRAWN I.XU	DATE 08-Sep-11	TITLE SMA BULKHEAD TO 1.13 MM CABLE	Amphenol RF Danbury CT USA, Tainan, Taiwan, Shenzhen, China www.amphenolrf.com
	REFERENCE EAR# 971 GEN# ASSYF65.SMA 615X-1924-100 FINISH	ENGINEER MIKE HOYACK	DATE 21-Jul-03		
NOTICE - These drawings, specifications, or other data (1) are, and remain the property of Amphenol Corp. (2) must be returned upon request; and (3) are confidential and not to be disclosed to any person other than those to whom they are given by Amphenol Corp. The furnishing of these drawings, specifications, or other data by Amphenol Corp. or to any other person for any purpose is not to be regarded by implication or otherwise in any manner licensing, granting rights to permitting such holder or any other person to manufacture, use or sell any product, process or design, patented or otherwise, that may in any way be related to or disclosed by said drawings, specifications, or other data.		CAD FILE I:\SMA\901-10119		SCALE: 5.0:1.0	SHEET 2 OF 2
					DWG SIZE B
					DRAWING NO. 901-10119 ITEM NO. 901-10119 PART NO. 901-10119

RD-DR 37188 page 2