

NOTES:

1. MATERIALS AND FINISHES:
 BODY - BRASS, GOLD PLATED
 CAP - BRASS, NICKEL PLATED
 MALE CONTACT - BRASS, GOLD PLATED
 INSULATORS - PTFE, NATURAL
 GASKET - SILICONE RUBBER, RED
 LOCK WASHER & HEX NUT - BRASS, NICKEL PLATED

2. ELECTRICAL:
 A. IMPEDANCE: 50 OHM
 B. FREQUENCY RANGE: DC - 3 GHz

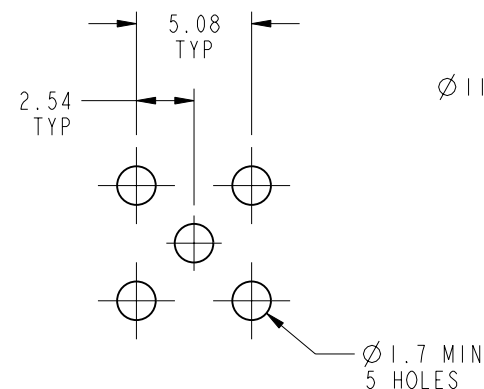
3. MECHANICAL:
 A. TEMPERATURE RANGE: -65° C TO +165° C
 B. SEALING REQUIREMENTS: WHEN MOUNTED ON PANEL MUST WITHSTAND WATER PRESSURE AT DEPTH OF 1 METER FOR 30 MIN. WITHOUT ANY SIGN OF LEAKAGE.
 C. DESIGN NOT SUITABLE FOR REFLOW.

4. PACKAGING:
 A. QUANTITY: SINGLE PACK
 B. MARKING: BAG TO BE MARKED "AMPHENOL, 901-10386, AND DATE CODE"

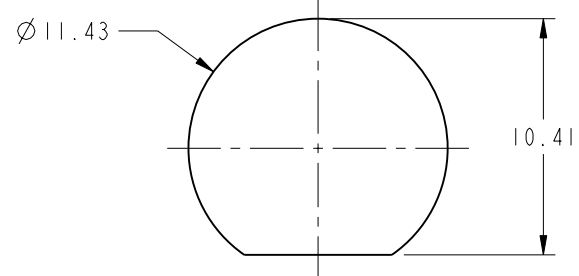
THIRD ANGLE PROJ.

REVISIONS

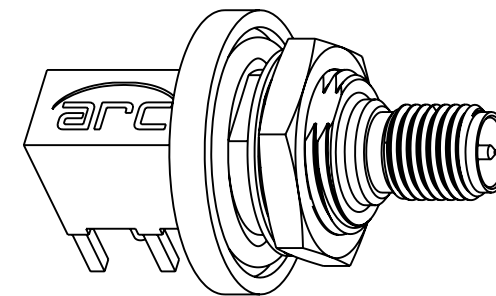
REV	DESCRIPTION	DATE	ECO	APPR
A	RELEASE TO MFG.	15-Aug-12	49217	JTS
B	ADD ARC LOGO TO BODY	16-Aug-13	49619	RLB
C	NOTE 1 WAS CHANGED AND ADD PANEL THICKNESS	28-Aug-17	04881	KEN



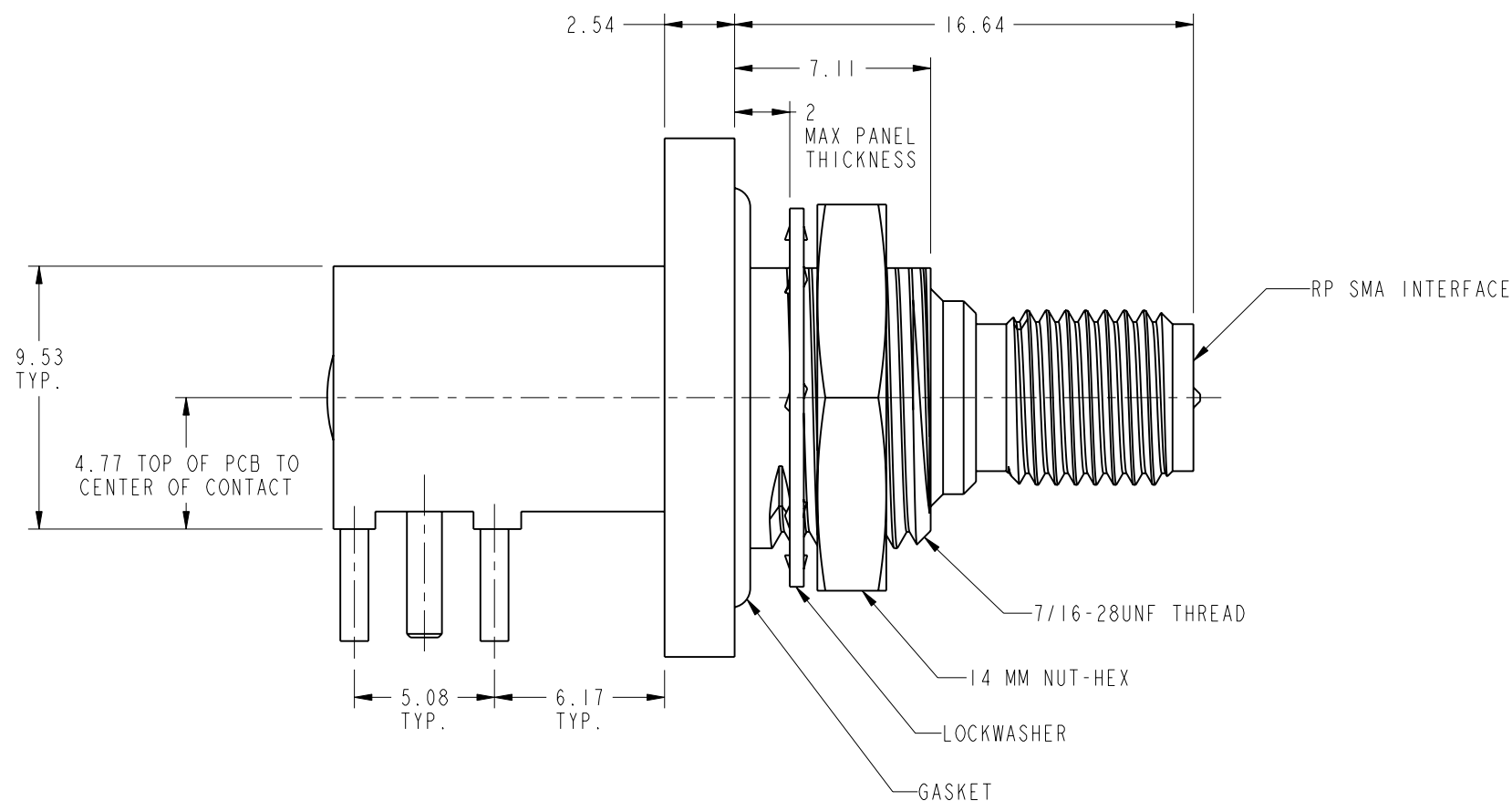
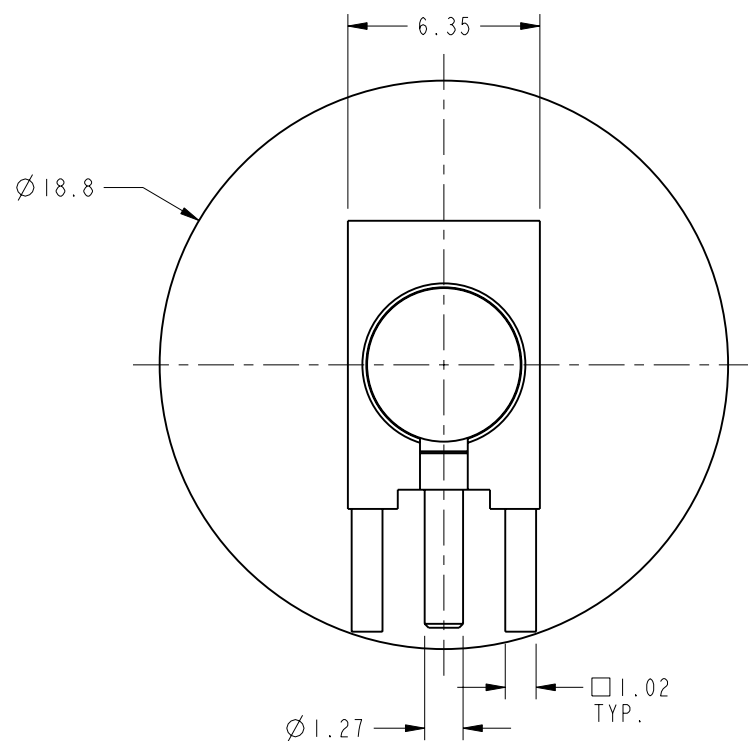
RECOMMENDED MOUNTING HOLE DIMENSIONS



RECOMMENDED MOUNTING PANEL DIMENSIONS



SCALE 2.000



CUSTOMER OUTLINE DRAWING
 ALL OTHER SHEETS ARE FOR INTERNAL USE ONLY

UNLESS OTHERWISE SPECIFIED, DIMENSIONS ARE IN METRIC AND TOLERANCES ARE: <0.5mm ±0.05mm 0.5 - 6mm ±0.1mm 6 - 30mm ±0.2mm 30 - 120mm ±0.3mm ANGLES ±1°	MATERIAL	DRAWN	DATE	TITLE RP SMA JACK R/A BULKHEAD PC MOUNT	Amphenol RF Danbury CT USA, Tainan, Taiwan, Shenzhen, China www.amphenolrf.com
	-	STAR	28-Aug-17		
NOTICE - These drawings, specifications, or other data (1) are, and remain the property of Amphenol corp. (2) must be returned upon request; and (3) are confidential and not to be disclosed to any person other than those to whom they are given by Amphenol Corp. the furnishing of these drawings, specifications, or other data by Amphenol Corp., or to any other person to anyone for any purpose is not to be regarded by implication or otherwise in any manner licensing, granting rights to permitting such holder or any other person to manufacture, use or sell any product, process or design, patented or otherwise, that may in any way be related to or disclosed by said drawings, specifications, or other data.	REFERENCE	ENGINEER	DATE	SCALE: 6.0:1.0	DRAWING NO. 901-10386 ITEM NO. 901-10386 PART NO. 901-10386
	EAR# 3608 AND	T. SMITH	14-Jun-12	SHEET 2 OF 2	
	CONFIGURATION LEVEL: In Work	APPROVED	DATE	DWG SIZE	REV
FINISH	S. HSIEH	28-Aug-17	B	C	