

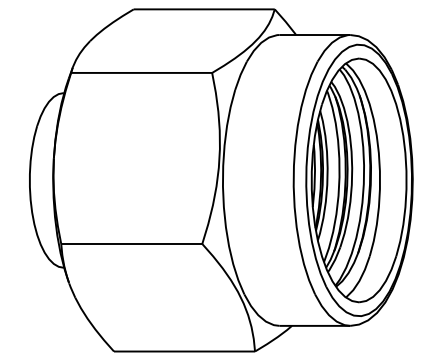
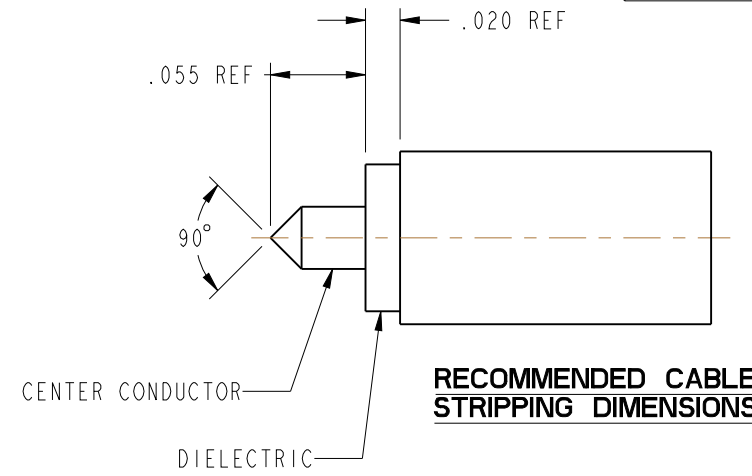
NOTES:

1. MATERIALS AND FINISHES:
 BODY - BERYLLIUM COPPER, GOLD PLATING
 COUPLING NUT - STAINLESS STEEL, PASSIVATED
2. ELECTRICAL:
 A. IMPEDANCE: 50 OHM
 B. FREQUENCY RANGE: DC - 26.5 GHz
 C. VSWR : 1.367 MAX @ 26.5 GHz
3. MECHANICAL:
 A. DURABILITY: 500 CYCLES MIN.
 B. TEMPERATURE RANGE: -65° C TO +165° C
4. PACKAGING:
 A. QUANTITY: BULK PACK 25 BODIES IN ONE BAG,
 BULK PACK 25 COUPLING NUTS IN ANOTHER BAG,
 PACKAGE BOTH BAGS IN A THIRD BAG WITH LABEL
 B. MARKING: BAG TO BE MARKED
 "AMPHENOLRF, 901-10398, WORK ORDER NUMBER,
 DATE CODE (YYWW), AND QTY"

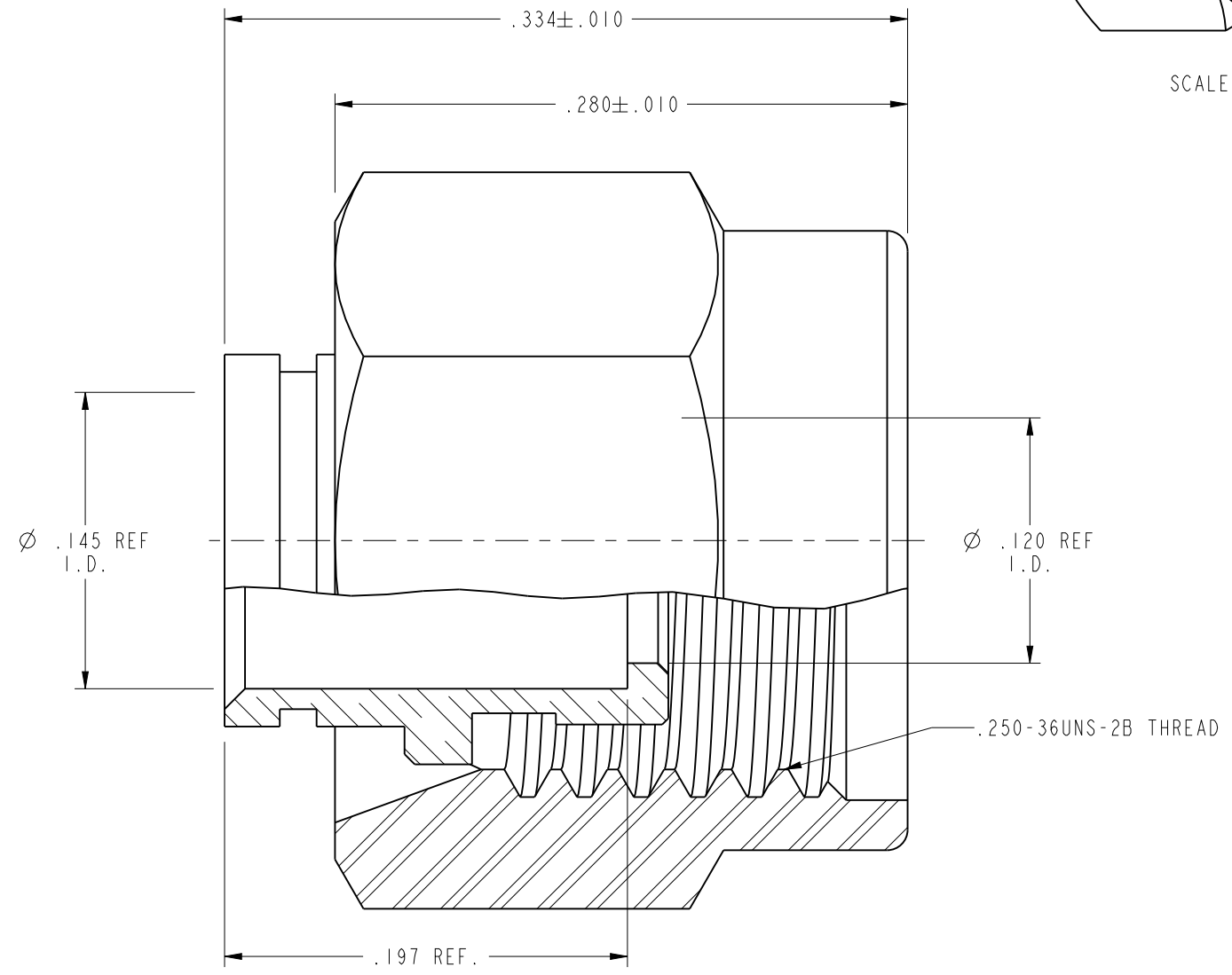
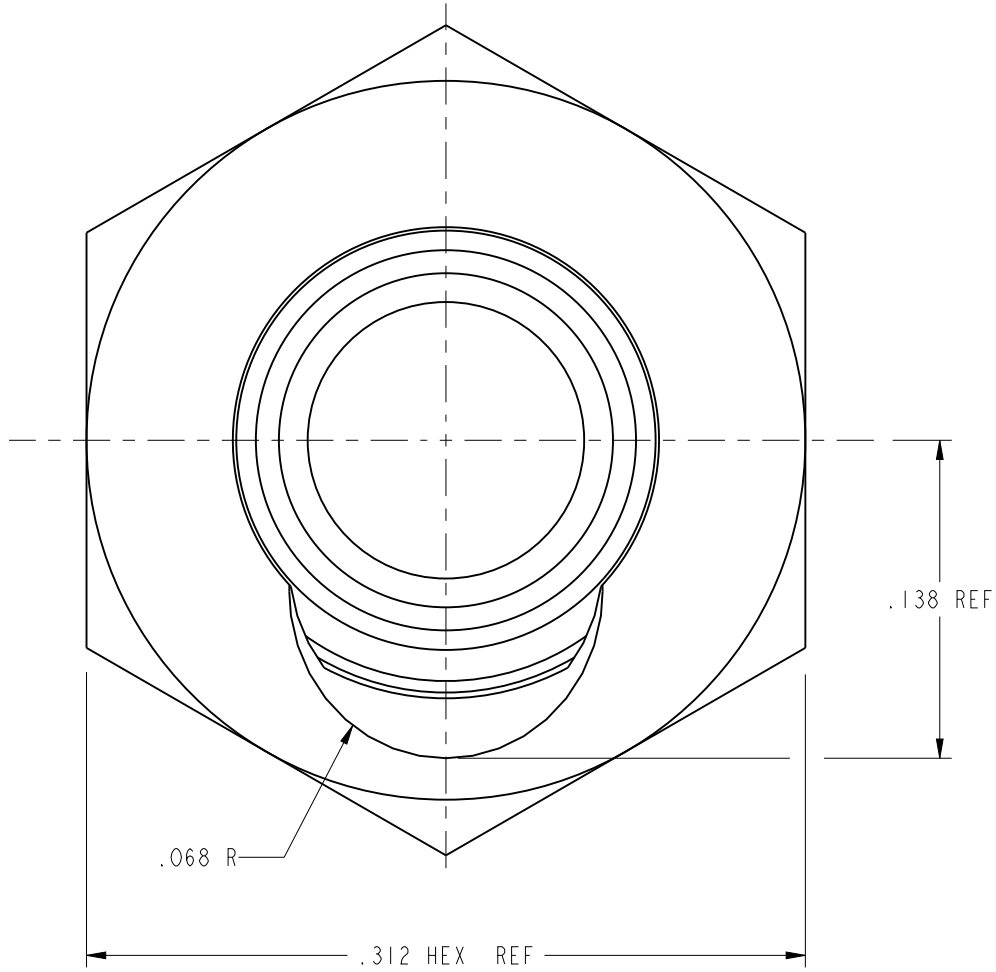
THIRD ANGLE PROJ.

REVISIONS

REV	DESCRIPTION	DATE	ECO	APPR
A	RELEASE TO MFG.	2/10/14	49733	JTS



SCALE 5.000



CUSTOMER OUTLINE DRAWING

ALL OTHER SHEETS ARE FOR INTERNAL USE ONLY

UNLESS OTHERWISE SPECIFIED, DIMENSIONS ARE IN INCHES AND TOLERANCES ARE: 2 PLACE DECIMAL 3 PLACE DECIMAL ANGLES $\pm .015$ (0,381 mm) $\pm .005$ (0,127 mm) $\pm 1^\circ$	MATERIAL	DRAWN	DATE	TITLE		Amphenol RF
	SEE NOTES	A ARUN PRABU	23-Mar-12			
	REFERENCE	ENGINEER	DATE	0.141 INCH CABLE		DRAWING NO.901-10398
	EAR # 4189	R.RAJAN	23-Mar-12	SCALE: 12.0:1.0	SHEET 2 OF 2	ITEM NO.901-10398
NOTICE - These drawings, specifications, or other data (1) are, and remain the property of Amphenol corp. (2) must be returned upon request; and (3) are confidential and not to be disclosed to any person other than those to whom they are given by Amphenol Corp. the furnishing of these drawings, specifications, or other data by Amphenol Corp., or to any other person to anyone for any purpose is not to be regarded by implication or otherwise in any manner licensing, granting rights to permitting such holder or any other person to manufacture, use or sell any product, process or design, patented or otherwise, that may in any way be related to or disclosed by said drawings, specifications, or other data.	CONFIGURATION LEVEL: In Work	APPROVED	DATE	DWG SIZE	REV	PART NO.901-10398
	FINISH	K. CAPOZZI	1/30/14	B	A	