

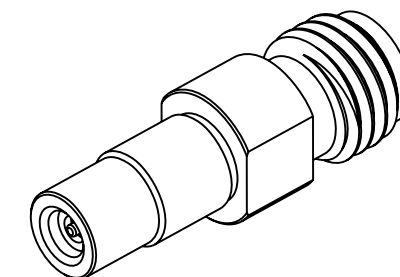
NOTES:

1. MATERIALS AND FINISHES:  
 BODY - BRASS, NICKEL PLATING  
 HOOD - STAINLESS STEEL, GOLD PLATING  
 CONTACTS - BERYLLIUM COPPER OR BRASS, GOLD PLATING (4 MICROINCHES MIN)  
 INSULATOR - PTFE
2. ELECTRICAL:  
 A. IMPEDANCE: 50 OHM  
 B. FREQUENCY RANGE: DC - 6 GHz  
 C. VSWR: 1.25 MAX.  
 D. DIELECTRIC WITHSTANDING VOLTAGE: 250 VRMS, MIN.
3. MECHANICAL:  
 A. DURABILITY: 5000 CYCLES MIN.  
 B. TEMPERATURE RANGE: -65° C TO +165° C
4. PACKAGING:  
 A. QUANTITY: SINGLE PACK  
 B. MARKING: BAG TO BE MARKED  
 "AMPHENOL RF, 901-10465, AND DATE CODE"

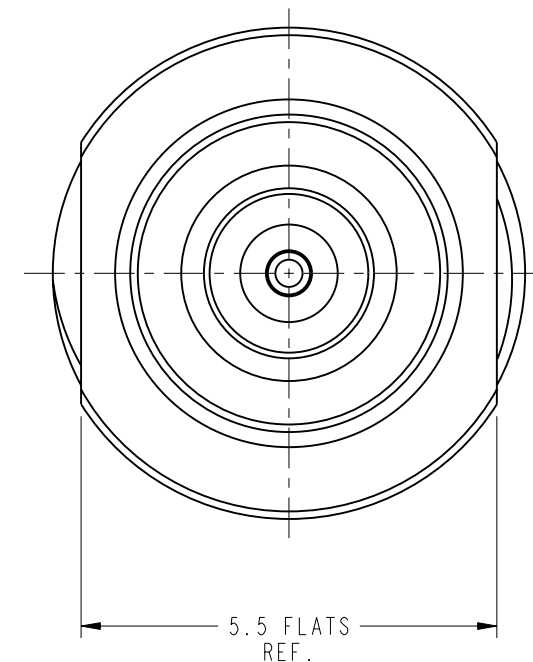
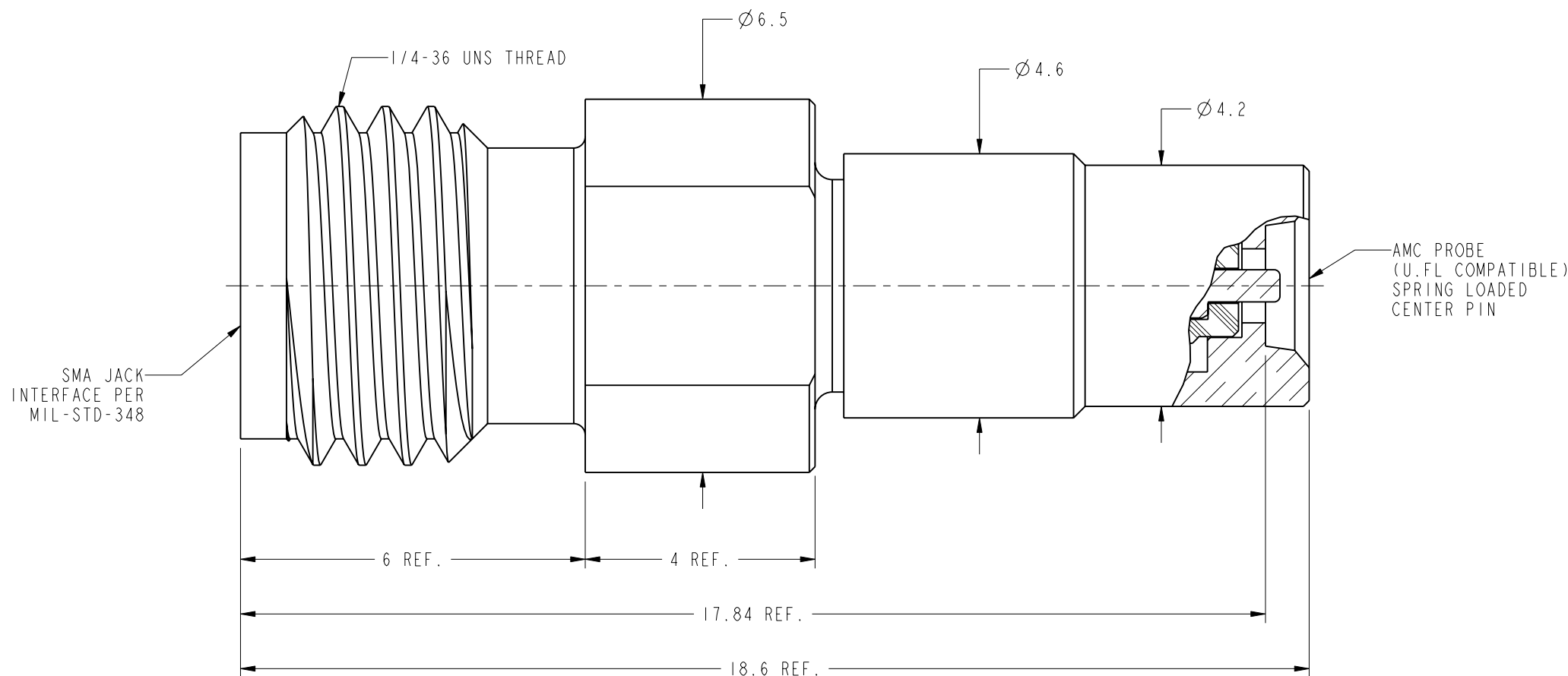
THIRD ANGLE PROJ.

REVISIONS

REV	DESCRIPTION	DATE	ECO	APPR
A	RELEASE TO MFG.	27-Mar-14	49879	JC



SCALE 3.000



**CUSTOMER OUTLINE DRAWING**  
 ALL OTHER SHEETS ARE FOR INTERNAL USE ONLY

UNLESS OTHERWISE SPECIFIED, DIMENSIONS ARE IN METRIC AND TOLERANCES ARE:  
 < 0.5mm ± 0.05mm    0.5 - 6mm ± 0.1mm    6 - 30mm ± 0.2mm    30 - 120mm ± 0.3mm    ANGLES ± 1°

NOTICE - These drawings, specifications, or other data (1) are, and remain the property of Amphenol corp. (2) must be returned upon request; and (3) are confidential and not to be disclosed to any person other than those to whom they are given by Amphenol Corp. the furnishing of these drawings, specifications, or other data by Amphenol Corp., or to any other person to anyone for any purpose is not to be regarded by implication or otherwise in any manner licensing, granting rights to permitting such holder or any other person to manufacture, use or sell any product, process or design, patented or otherwise, that may in any way be related to or disclosed by said drawings, specifications, or other data.

MATERIAL	DRAWN J. CHENG
REFERENCE EAR #5916	ENGINEER T. SMITH
CONFIGURATION LEVEL:	APPROVED S. HSIEH
FINISH	CAD FILE

DATE 27-Mar-14	TITLE AMC PROBE (U.FL) TO SMA JACK ADAPTER
DATE 04-Oct-13	SCALE: 10.0:1.0 SHEET 2 OF 2
DATE 25-Apr-14	DWG SIZE B

REV A	ITEM NO. 901-10465
	PART NO. 901-10465

Amphenol RF www.amphenolrf.com
DRAWING NO. 901-10465
ITEM NO. 901-10465
PART NO. 901-10465