

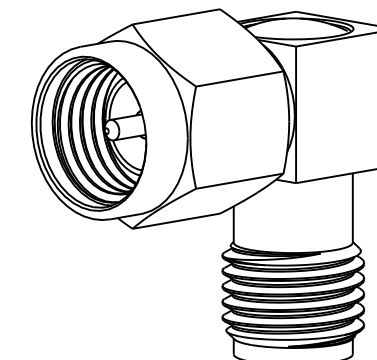
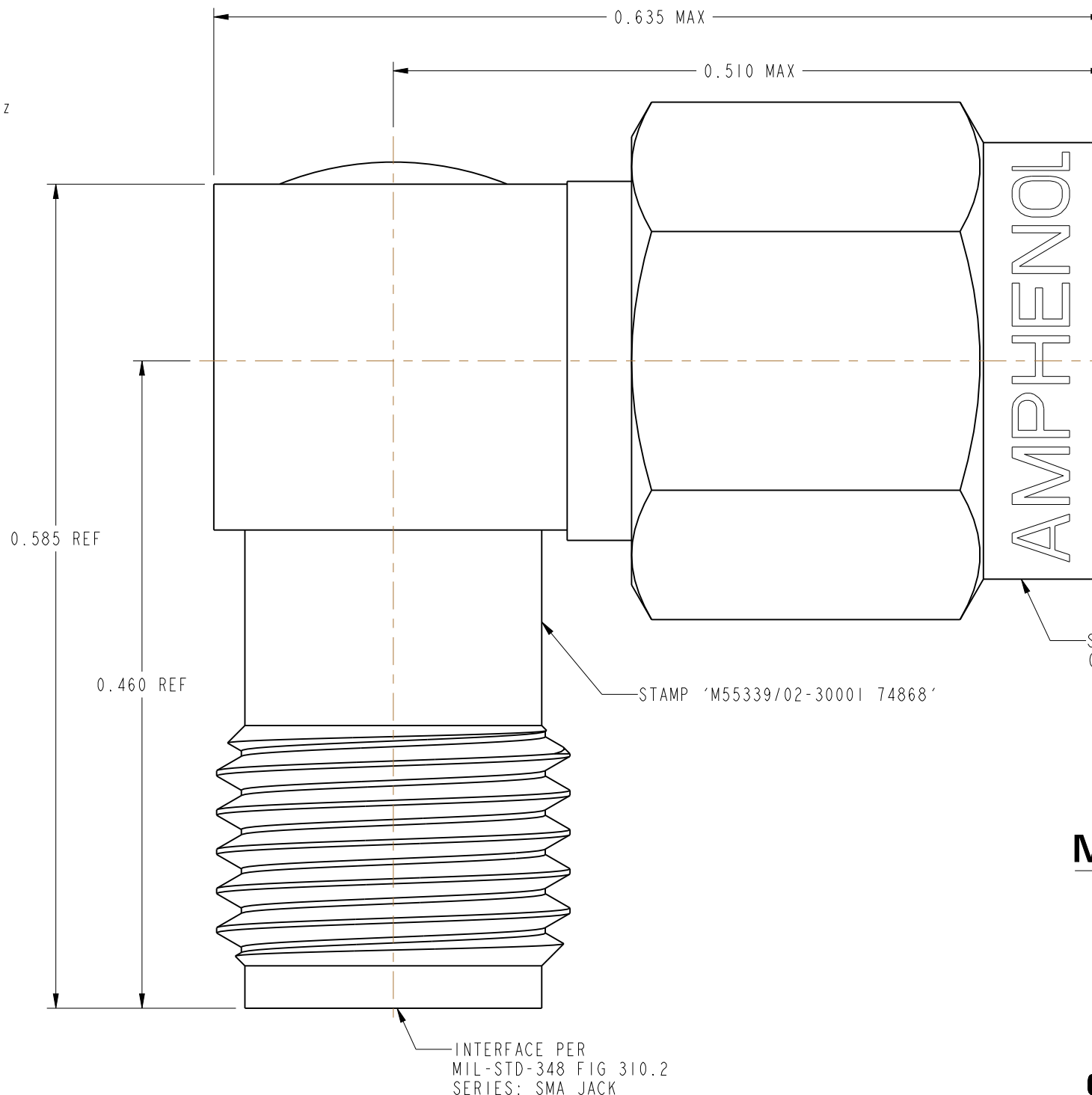
NOTES:

1. MATERIALS AND FINISHES:  
 FRONT BODY & REAR BODY - STAINLESS STEEL, PASSIVATED  
 FRONT CONTACT & REAR CONTACT - BeCu, GOLD PLATING  
 COUPLING NUT & CAP - STAINLESS STEEL, PASSIVATED  
 INSULATORS - PTFE, NATURAL  
 RETAINING RING - BeCu  
 GASKET - SILICONE RUBBER, RED
2. ELECTRICAL:  
 A. IMPEDANCE: 50 OHM  
 B. VSWR: 1.05 +0.010 F, MAX. @ 0.5 TO 12.4 GHz
3. MECHANICAL:  
 A. DURABILITY: 500 CYCLES MIN.  
 B. TEMPERATURE RANGE: -65° C TO +165° C
4. PACKAGING:  
 A. QUANTITY: SINGLE PACK  
 B. MARKING: BAG TO BE MARKED  
 "AMPHENOL RF, 901-125-11SF, AND DATE CODE"

THIRD ANGLE PROJ.

REVISIONS

REV	DESCRIPTION	DATE	ECO	APPR
--	RELEASE TO MFG.	--	--	--
G	REDRAWN IN PRO-E & COD ADDED	11/18/15	49751	RAK



SCALE 3.000

**MIL-A-55339 INSPECTION**

**CUSTOMER OUTLINE DRAWING**  
 ALL OTHER SHEETS ARE FOR INTERNAL USE ONLY

UNLESS OTHERWISE SPECIFIED, DIMENSIONS ARE IN INCHES AND TOLERANCES ARE: 2 PLACE DECIMAL 3 PLACE DECIMAL ANGLES $\pm 0.015$ (0,381 mm) $\pm 0.005$ (0,127 mm) $\pm 1^\circ$	MATERIAL	DRAWN	DATE	TITLE		Amphenol RF www.amphenolrf.com
	SEE NOTES	ABHAYA KISHORE	04-Oct-13	SMA ADAPTER RIGHT ANGLE PLUG-JACK MIL-A-55339/02-30001		
NOTICE - These drawings, specifications, or other data (1) are, and remain the property of Amphenol corp. (2) must be returned upon request; and (3) are confidential and not to be disclosed to any person other than those to whom they are given by Amphenol Corp. the furnishing of these drawings, specifications, or other data by Amphenol Corp., or to any other person to anyone for any purpose is not to be regarded by implication or otherwise in any manner licensing, granting rights to permitting such holder or any other person to manufacture, use or sell any product, process or design, patented or otherwise, that may in any way be related to or disclosed by said drawings, specifications, or other data.	REFERENCE	ENGINEER	DATE	SCALE: 10.0:1.0 SHEET 2 OF 2		DRAWING NO. 901-125-11SF
	CONFIGURATION LEVEL: In Work	O. BARTHELMES	11/18/13	REV G		ITEM NO. 901-125-11SF
	FINISH	APPROVED	DATE	DWG SIZE B		PART NO. 901-125-11SF
		O. BARTHELMES	11/18/15			